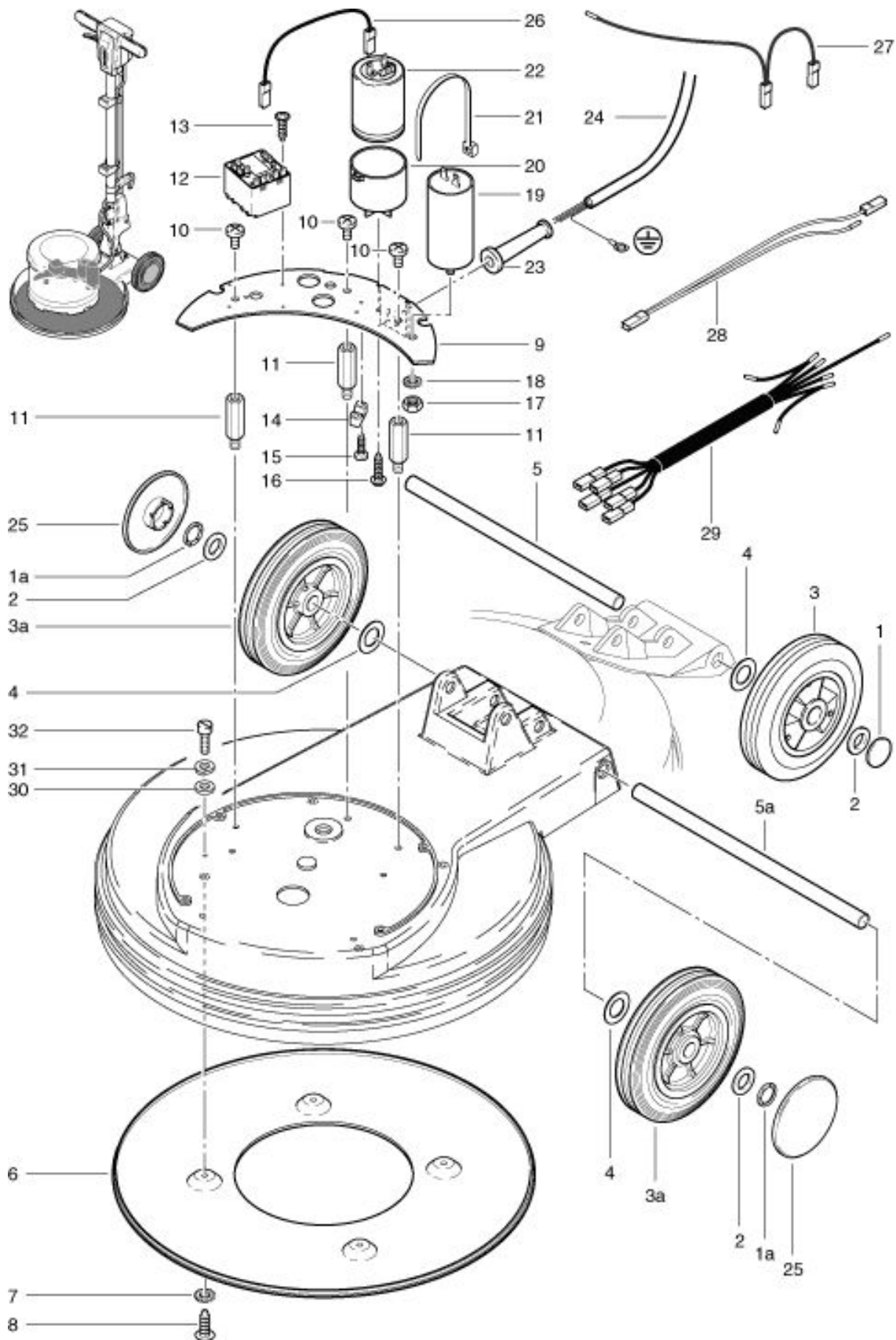


Duo-Speed, up to machine no. 8546  
 Electronic and drive axle as from machine no. 8334.001



Elektronik und Fahrwerk / Electronique et train de transport / Electronic and drive axle  
 R 44-450 ab Maschine Nr. / partir de appareils no. / as from machine no. 8334.001 B 6-10.2003

**Duo-Speed, bis Masch.Nr. 8546**  
**Electronic and drive axle as from machine no. 8334.001**

<b>Pos.</b>	<b>Description</b>	<b>Reference</b>
01	Retaining ring up to machine no. 8333	6295182
01a	Retaining ring as from machine no. 8334.001	P...500 M
02	Washer M 14	P...496 Y
03	Wheel 160 mm up to machine no. 8333	741.073
03a	Wheel 160 mm as from machine no. 8334.001	741.075
04	Washer 16x28x0.5mm	P...510
05	Wheel axle up to machine no. 8333	742.060
05a	Wheel axle as from machine no. 8334.001	742.040
06	Bottom plate	742.146
07	Serrated lock washer M 5	P...498 D
08	Sheet metal screw 4,8x13	P...483 B
09	Reinforcement piece	P...405 F
10	Screw M 6x8	P...475 P
11	Distance ring M 6x40x13x8x7 PS	P...484 U
12	Relais with	P...350
13	Screw M 3x8	P...476 O
14	Cable clamp	742.321
15	Screw M 5x16	P...476 G
16	Screw M 4x20	P...515 G
17	Lock washer M 8	P...491 F
18	Self-tapping screw M 5x20	6610419
19	Capacitor 20 µF	P...385 E
20	Holder for capacitor	741.316
21	Cable tie 292 mm	P...424
22	Capacitor 125µF 47 kOhm	742.328
23	Antikink sleeve	660011014
24	Cable-tree	751.312
25	Wheel cover red as from machine no. 8334.001	741.076
26	Wiring black	742.331
27	Wiring gris	790.355
28	Wiring white	790.354
29	Wiring	790.353
30	Washer M 4	P...497 D
31	Serrated lock washer M 4	P...498 C
32	Screw M 4x8	P...478 B