

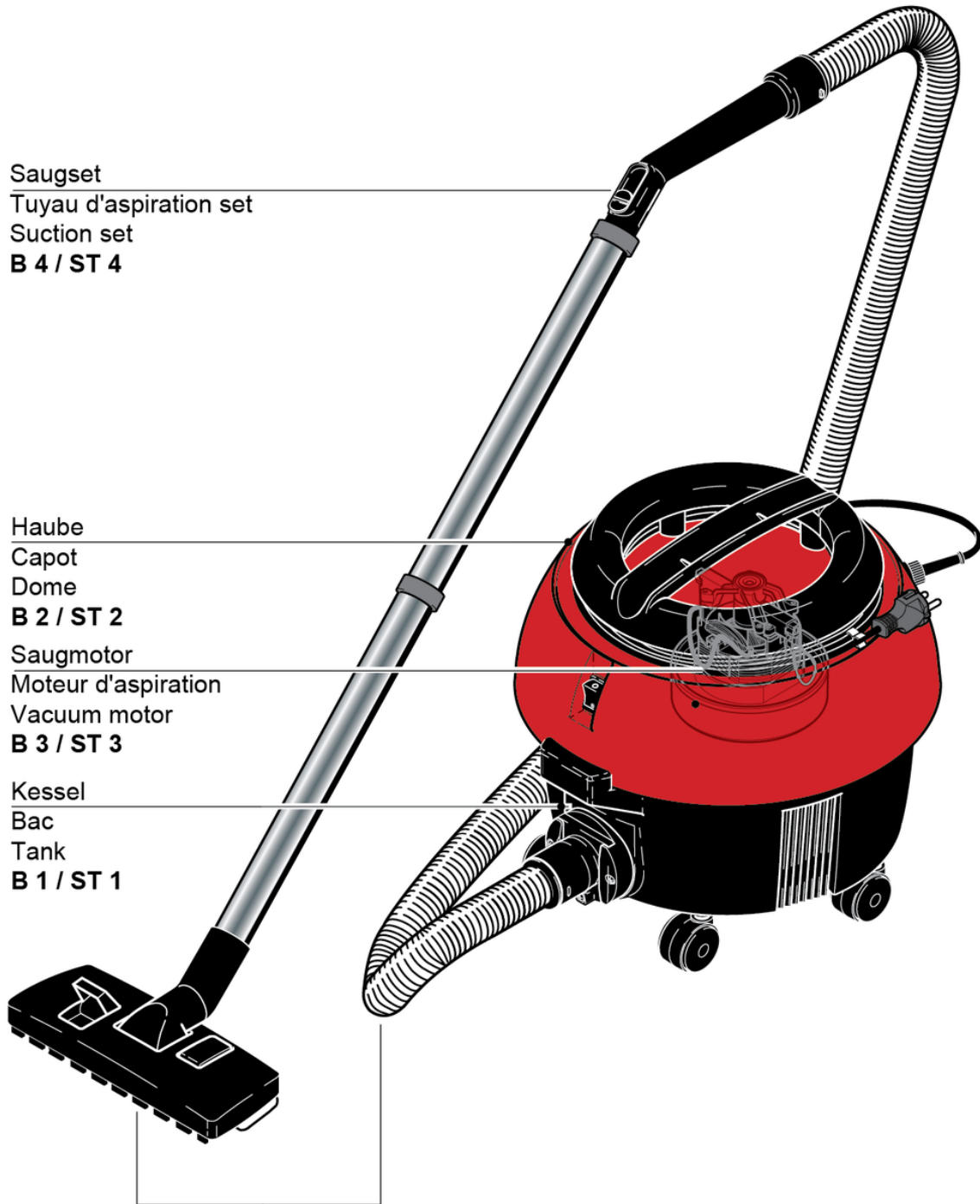
S10

Contents

PDF created on: 01.09.2024 15:19



S-10



Saugset
Tuyau d'aspiration set
Suction set
B 4 / ST 4

Haube
Capot
Dome
B 2 / ST 2
Saugmotor
Moteur d'aspiration
Vacuum motor
B 3 / ST 3

Kessel
Bac
Tank
B 1 / ST 1

Saugset
Tuyau d'aspiration set
Suction set
B 4 / ST 4

Stromlaufplan
Diagramme électrique
Wiring diagram
B 5 / ST 5

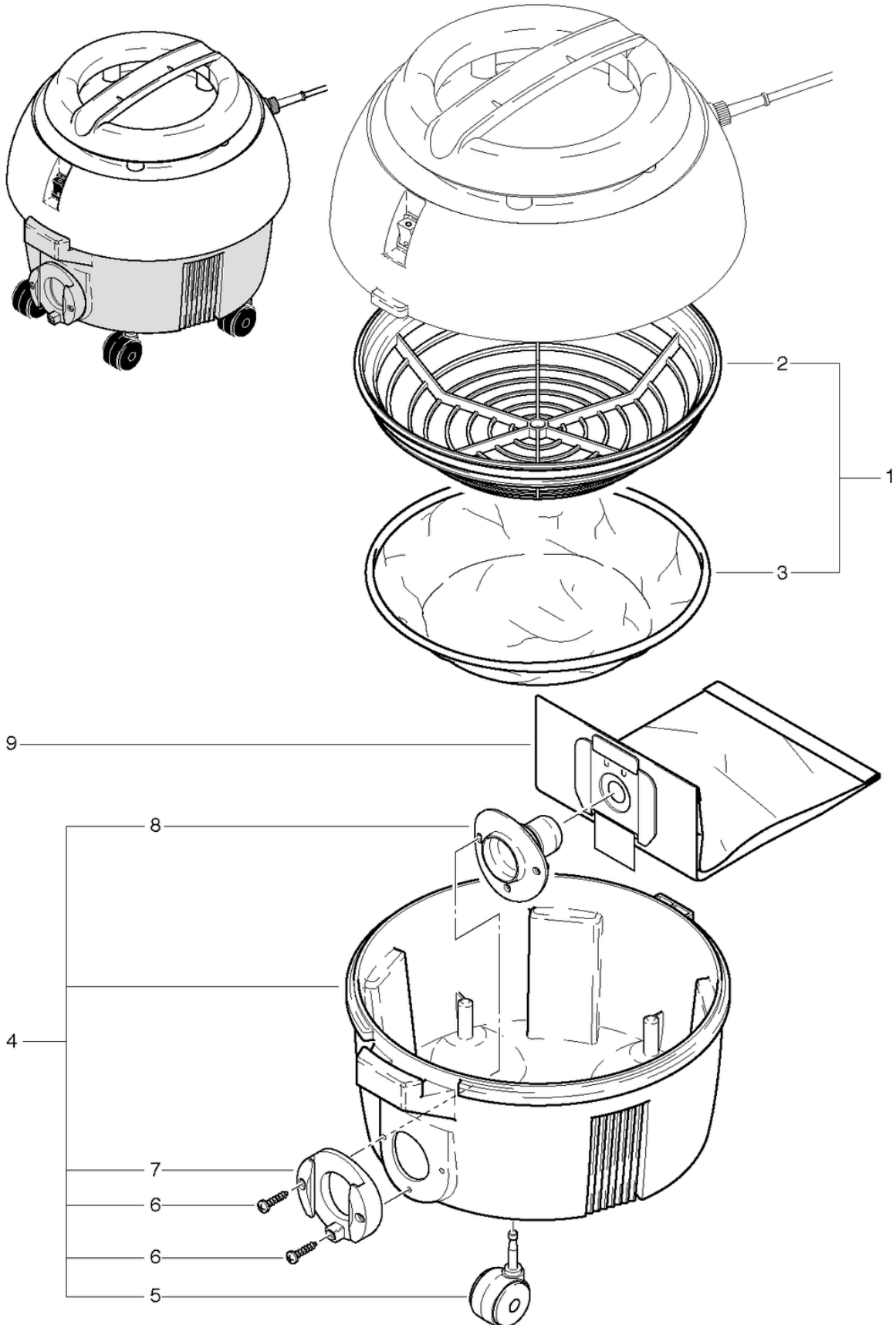
S10

Tank connection

PDF created on: 01.09.2024 15:19



S-10



S10

Tank connection

PDF created on: 01.09.2024 15:19

Pos.	Item no.	Spare part
1	022.300	Dustbag basket with filter cpl.
2	022.310A	Filter
3	022.320	Filter cloth
4	012.200	Tank cpl.
5	P204F	Castor ø50mm
6	P515E	Screw WN 1452 K50 x 30
7	4012234	Anthracite gray tub connection
8	4012393	Bag Inlet
9	022.430	Paper dustbag (5 pieces)

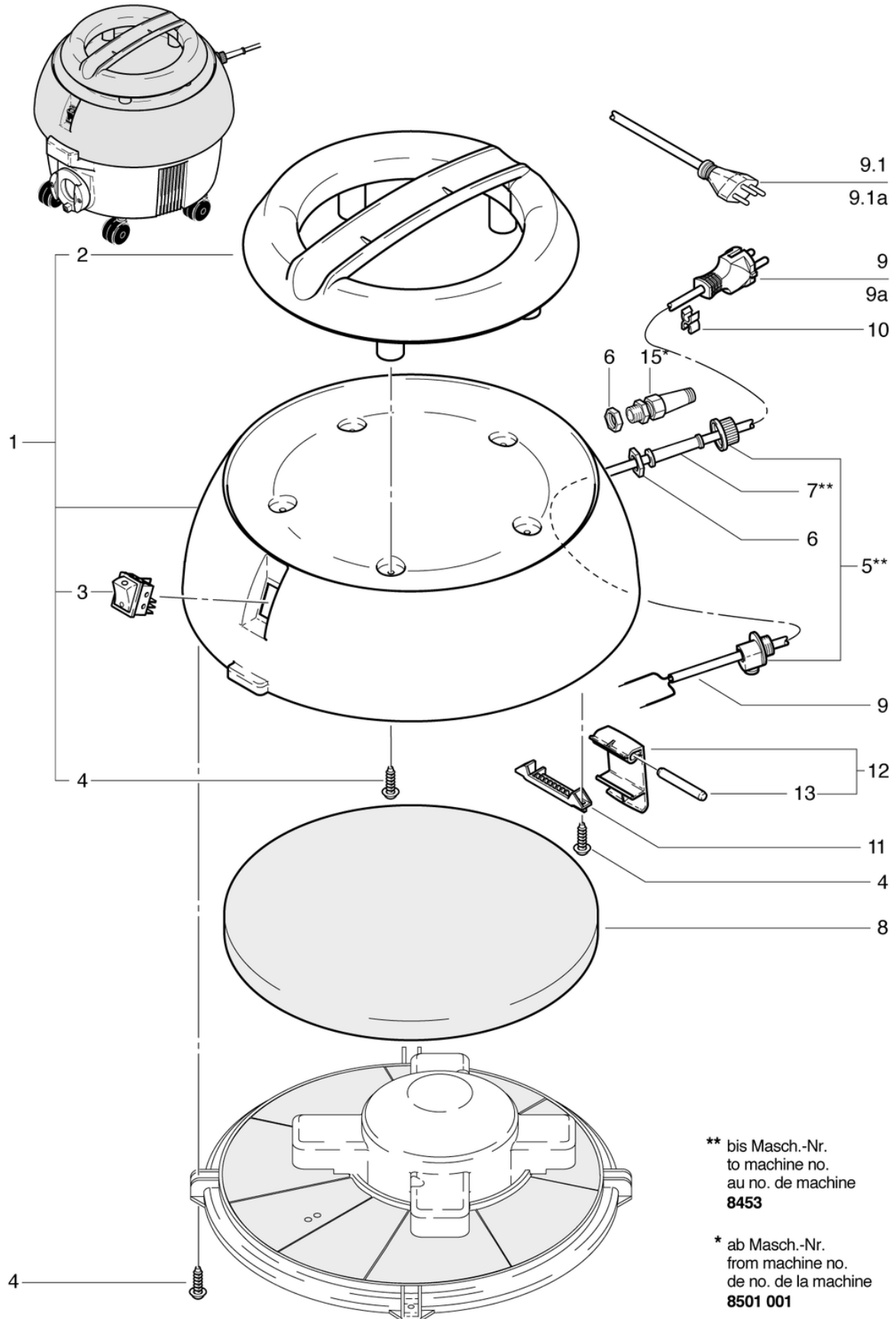
S10

Dome

PDF created on: 01.09.2024 15:19



S10



** bis Masch.-Nr.
to machine no.
au no. de machine
8453

* ab Masch.-Nr.
from machine no.
de no. de la machine
8501 001

S10

Dome

PDF created on: 01.09.2024 15:19

Pos.	Item no.	Spare part
1	022.110	Dome Assembly Red
2	022.112	Handle
3	P240F	Rocker switch LED
4	P516GB	Screw W 1451 K40 x 14
5	P279	2-part strain relief clamp
6	P279H	Lock nut PG9 brass nickel-plated
7	P280	Cable grommet
8	022.116	Noise Absorbing Sheet
9.1a	P287A	Main cable SEV 2 x 1,0mm ² , 10m
9.1	P288A	Mains cable VDE 2 x 1.0mm ² , 10m
9a	P287	Main cable SEV 2 x 0,75mm ² , 7,5m
9	P288	Mains cable VDE 2 x 0.75mm ² , 7.5m
10	P278	Cable - clips gray
11	020.114	bolt holder anthracite gray hard
12	020.116	Seal lever complete
13	022.115	Pin
15	P279K	Cable gland PG9 with kink protection spiral

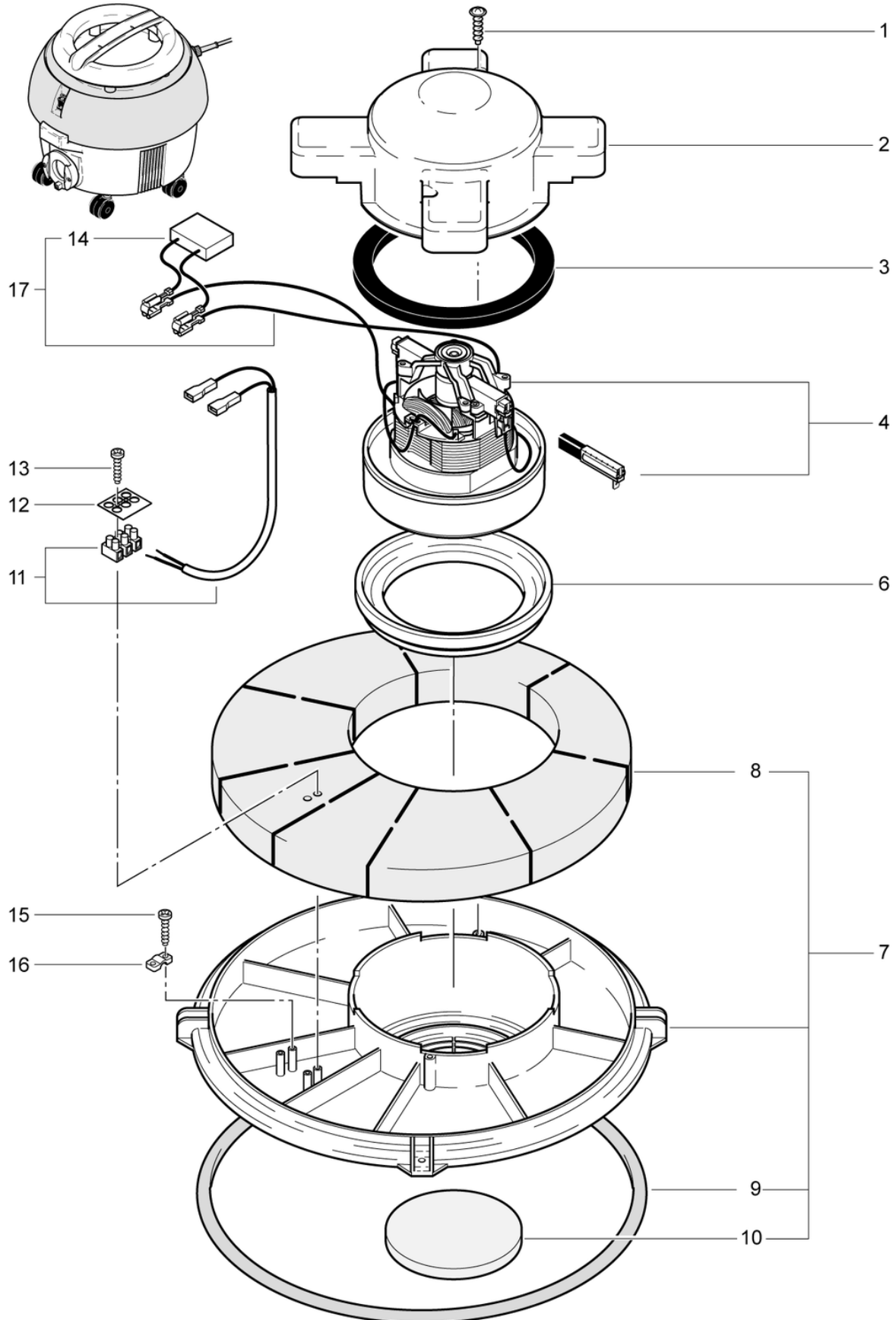
S10

Vacuum motor

PDF created on: 01.09.2024 15:19



S-10



S10

Vacuum motor

PDF created on: 01.09.2024 15:19

Pos.	Item no.	Spare part
1	P516G	Screw WN 1451 K40 x 16
2	022.132	Lower Motor Housing
3	012.133	Seal for Motor S10/12
4	P872D	Suction motor 220-240V 850W 50/60Hz
6	P971J	Turbine seal S10 / 12
7	022.130	Motorplate Complete
8	022.135	Noise Absorber
9	022.136	Bucket Gasket
10	022.134	Air Filter for Motor
11	022.139	Cable Tree 600mm
12	P390	Marking plate
13	P516E	Screw WN 1451 K30 x 20
14	P393E	Capacitor 0.15 uF
15	P516Q	Screw WN 1452 K50 x 18
16	4611085	Cable Clamp
17	012.143	Motor cable harness incl. cond.

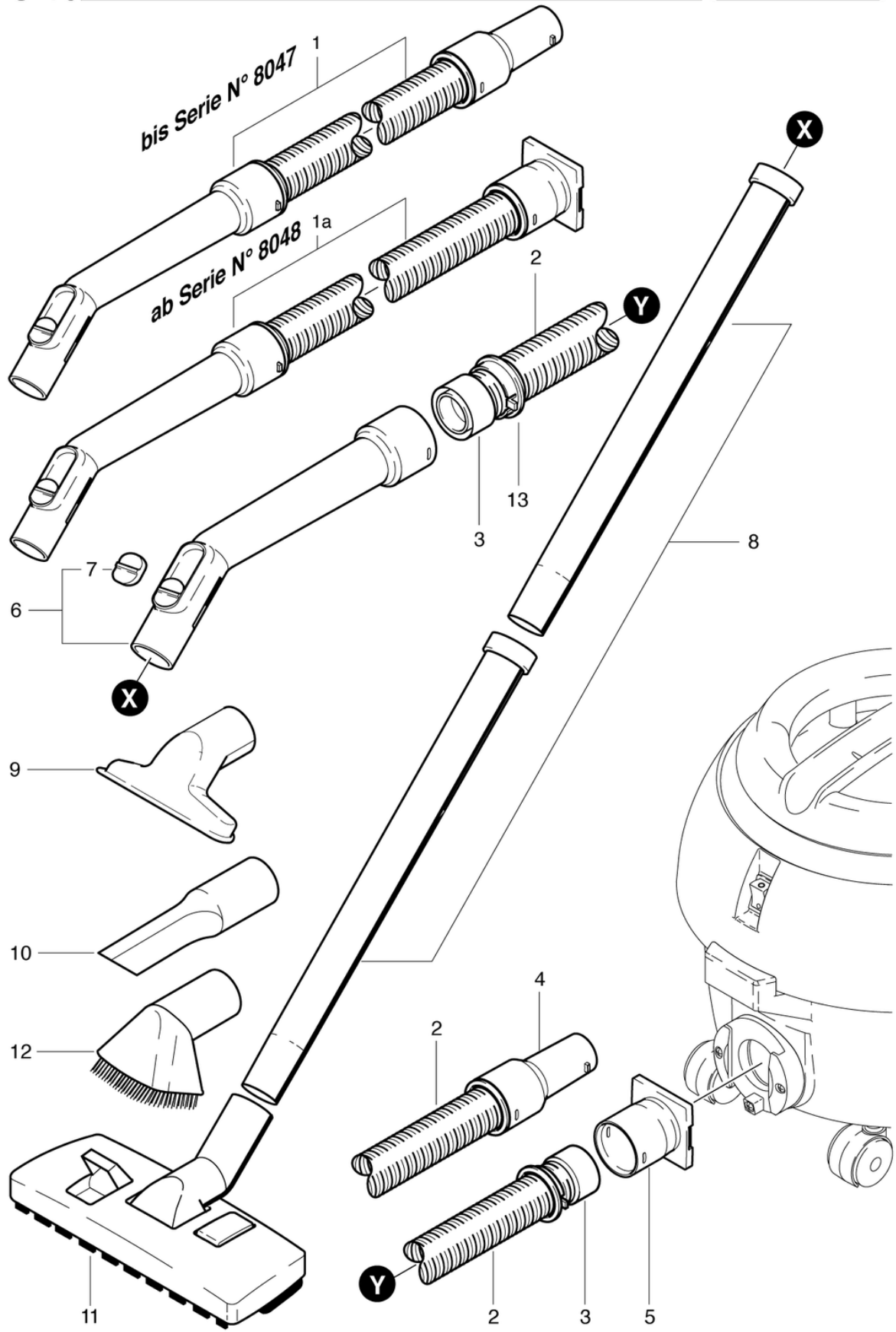
S10

Suction set

PDF created on: 01.09.2024 15:19



S-10



S10

Suction set

PDF created on: 01.09.2024 15:19

Pos.	Item no.	Spare part
1a	012.567	Suction hose 2.2m with hand tube and air flap
1	900.567	2.2m suction hose cpl.
2	900.569	Suction hose NW32 x 2.2m
3	P583	Support ring for screw on ø32
4	P577	Connection sleeve with cams
5	012.570	Hose End Connector
6	900.670	Hand tube with air flap slide
7	P581B	Slide
8	645.002	Metallic tube
9	645.004	Upholstery nozzle
10	645.006	Rubber crevice tool
11	645.103	Combi nozzle
12	645.005	Dropery brush
13	P578	Click ring gray

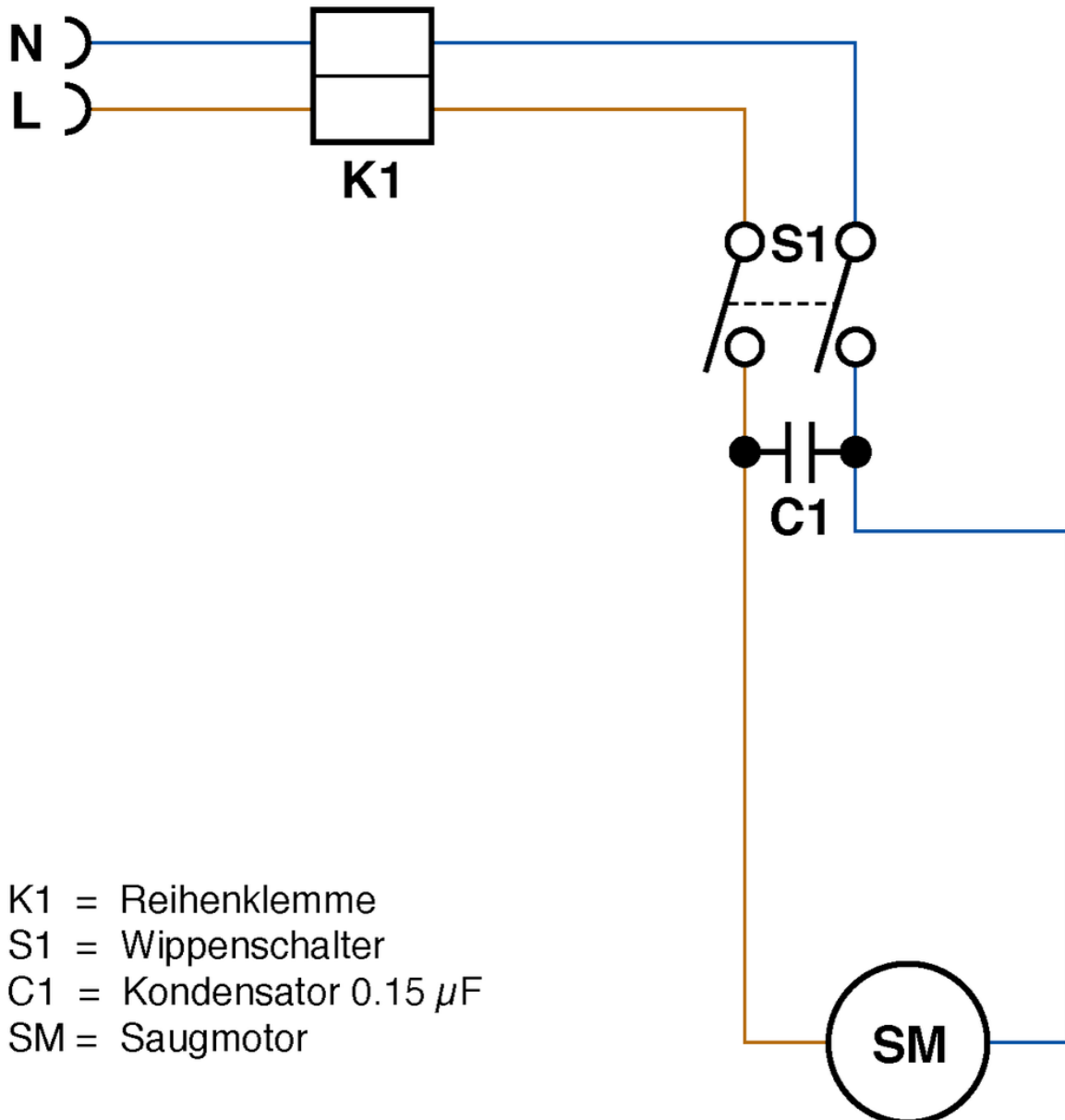
S10

Wiring diagram

PDF created on: 01.09.2024 15:19



S-10



- K1 = Reihenklemme
- S1 = Wippenschalter
- C1 = Kondensator 0.15 μ F
- SM = Saugmotor