

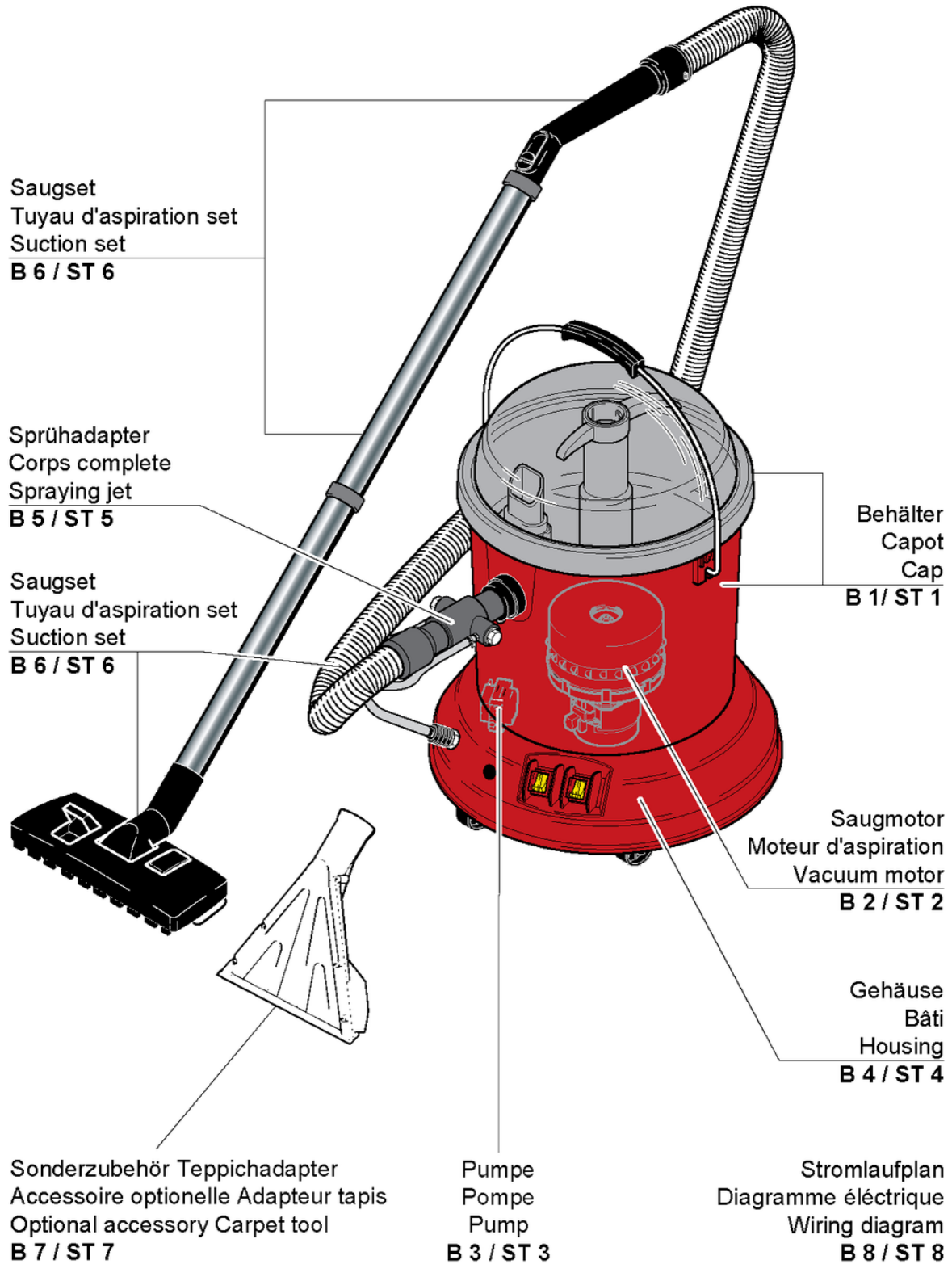
AquaPerl

Contents

PDF created on: 16.07.2024 12:36



Aqua Perl



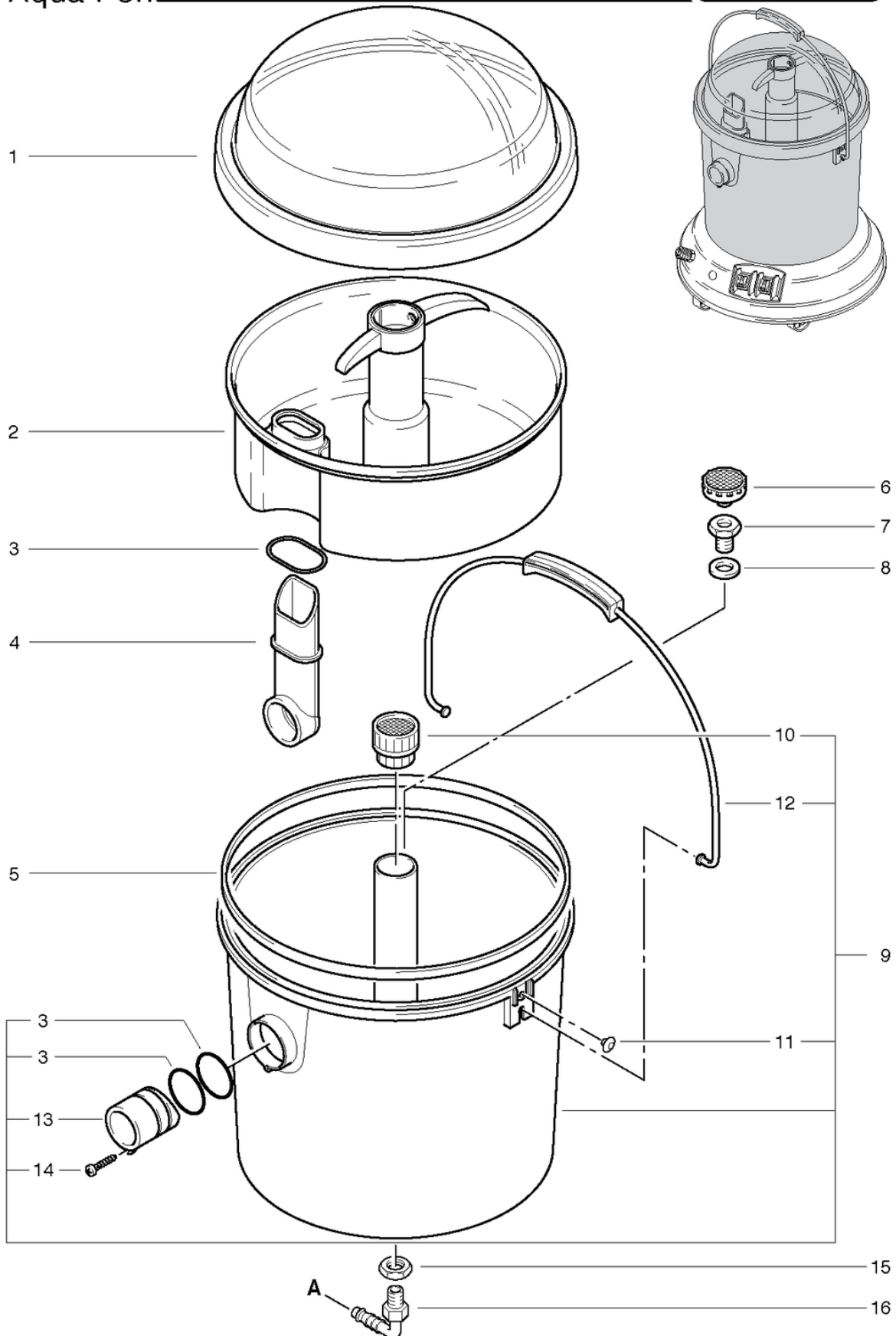
AquaPerl

Cap

PDF created on: 16.07.2024 12:36



Aqua Perl



AquaPerl

Cap

PDF created on: 16.07.2024 12:36

Pos.	Item no.	Spare part
1	P008	Cover gray transparent
2	030.007	Dirty water bucket cpl.
3	P024	Ring DIN 3771 35/3 NBR
4	P025	Inlet Pipe
5	P052	Oval seal 323.7 x 7.8 x 4.4mm
6	P106	Fresh water filter ND
7	P535A	Hollow nipple 3/8 - 1/4 x 20 Ms
8	P097	Sealing shim 30/17/2 PE
9	030.001	Complete Tank
10	P071	Suction pipe screen
11	P070D	Hood clamp knob ø14 / 6 x 18 black
12	P009	Handle
13	P026	Connection socket
14	P482G	Screw SPAX 3,5 x 16
15	P535B	Nut 3/8 Ms
16	P541H	Elbow nipple WES 8 / R1 / 4

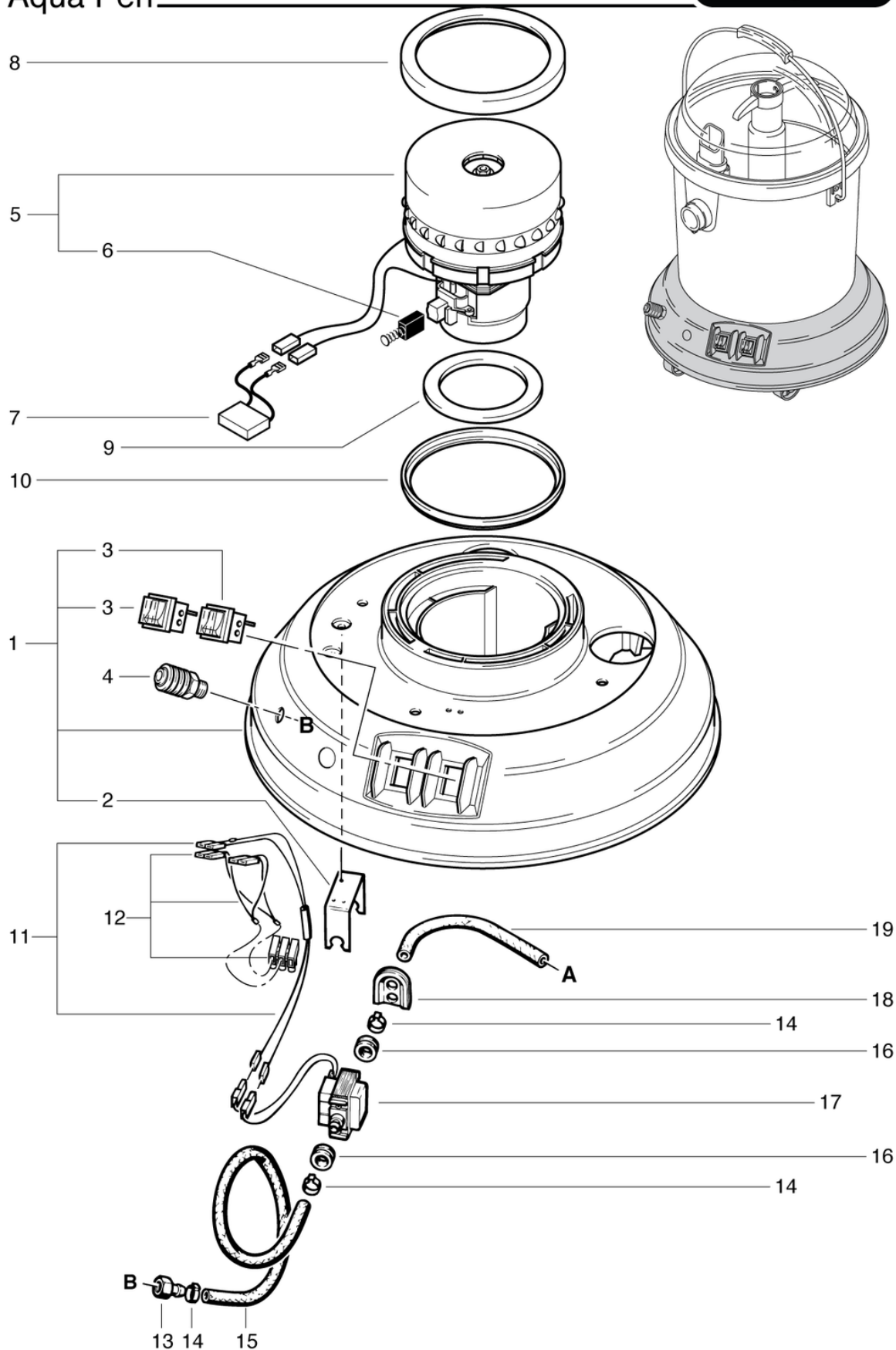
AquaPerl

Vacuum motor

PDF created on: 16.07.2024 12:36



Aqua Perl



AquaPerl

Vacuum motor

PDF created on: 16.07.2024 12:36

Pos.	Item no.	Spare part
1	030.010A	Housing complete, including Items 2+3
2	P207B	Pump holder
3	124.313	Touchbutton
4	P500B	Quick coupling 1/4 AG, large brass
5	P870E	Suction motor 230V/50Hz 1000 W bp
6	P870KB	Carbon brushes (pair) OEP
7	P391	Capacitor 0,1uF
8	P971C	Turbine seal black
9	P013	Sealing ring 103/77 x 10mm
10	P971A	rubber LAMB, black
11	030.367	Diode Cable
12	P389	Cable strand with clamp
13	P525K	Hose nipple NW8-1 / 4 Ms
14	P550A	Hose clamp 14.5-706R
15	030.021	Hose ø 6 / 12 x 0.44m
16	030.015	Seal 20 x 13 x 2mm
17	P809	NDS-X Pump 220-240V/50Hz
18	030.014	Tightness Ring 42 x 45
19	030.020	Hose ø 6 / 12 x 0.36m

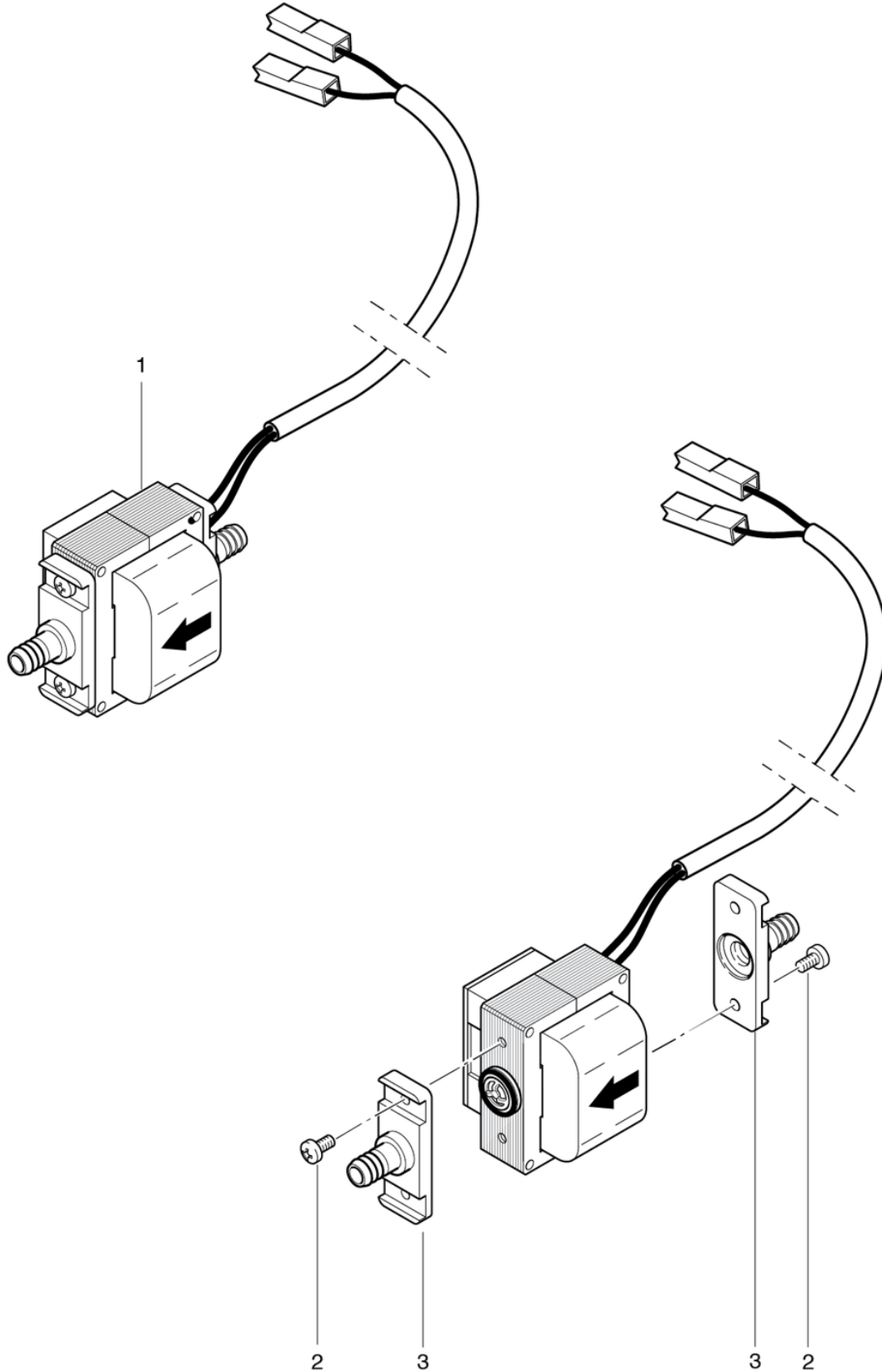
AquaPerl

Pump

PDF created on: 16.07.2024 12:36



Aqua Perl



AquaPerl

Pump

PDF created on: 16.07.2024 12:36

Pos.	Item no.	Spare part
1	P809	NDS-X Pump 220-240V/50Hz
2	P481M	Screw DIN 7985 M4 x 10 A2
3	P809M	Connecting even

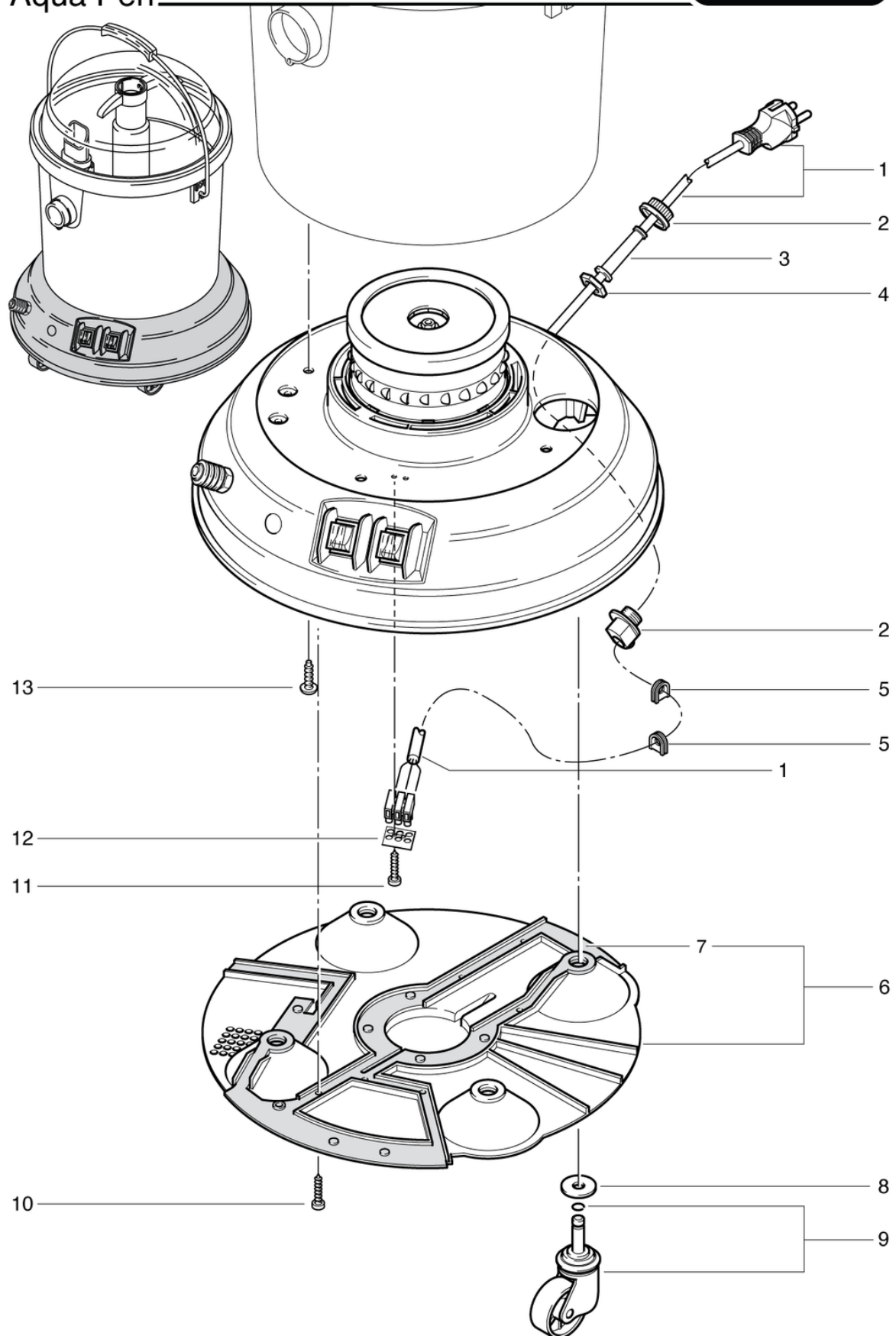
AquaPerl

Housing

PDF created on: 16.07.2024 12:36



Aqua Perl



AquaPerl

Housing

PDF created on: 16.07.2024 12:36

Pos.	Item no.	Spare part
1	P277	0mm ²
1	P287	Main cable SEV 2 x 0,75mm ² , 7,5m
1	P288	Mains cable VDE 2 x 0.75mm ² , 7.5m
2	P279	2-part strain relief clamp
3	P280	Cable grommet
4	P279H	Lock nut PG9 brass nickel-plated
5	P014A	Spout 14 x 16mm
6	P023	Bottom plate with abs. sheet
7	P023A	Noise absorbing sheet
8	P496S	Washer DIN 9021 M10 10,5/30/2,5 A2
9	P028A	Caster ø50mm
10	P482F	Screw DIN 7981 C 2,9 x 13
11	P482E	Screw DIN 7981 C 2,9 x 16
12	P390	Marking plate
13	P482H	Screw WN 1451 K50 x 14

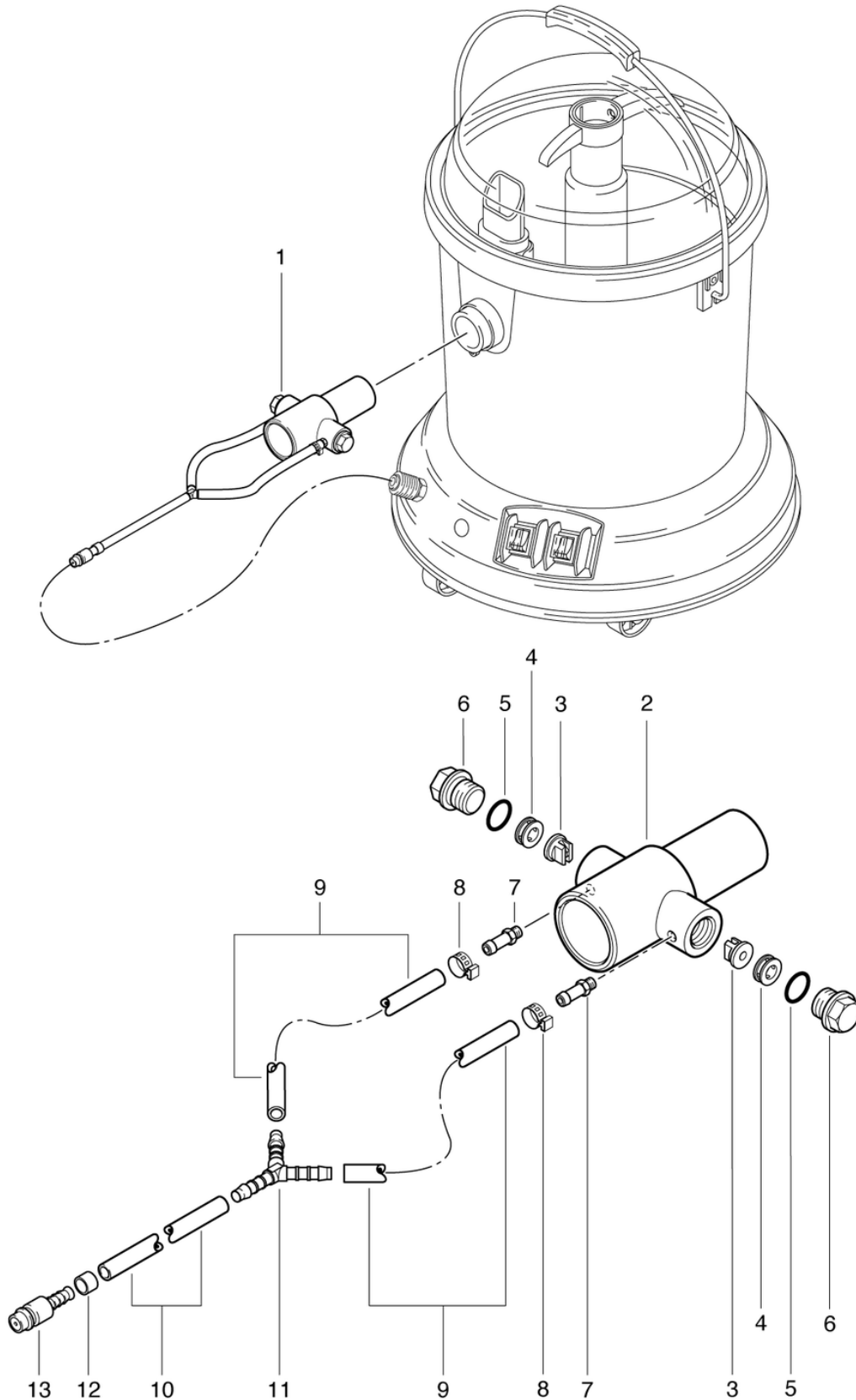
AquaPerl

Spraying jet

PDF created on: 16.07.2024 12:36



Aqua Perl



AquaPerl

Spraying jet

PDF created on: 16.07.2024 12:36

Pos.	Item no.	Spare part
1	614.000	Spray Adaptor
2	614.100	Adapter insert
3	P627E	Spray nozzle TPU 11001 / Spray adapter
4	614.122	Distance ring
5	P962K	Ring DIN 3771 14/2,5 NBR
6	614.130	Locking screw machined
7	028.631	Nipple SW8 x 23mm
8	P553B	Hose clamp 009.0-505R
9	614.160	Hose 180 mm ø8/6 x 0,18m
10	614.165	Hose 140 mm ø8/6 x 0,14m
11	P542D	Y-piece 6mm
12	900.167	Locking sleeve Ø10mm
13	P501C	Plug nipple large brass

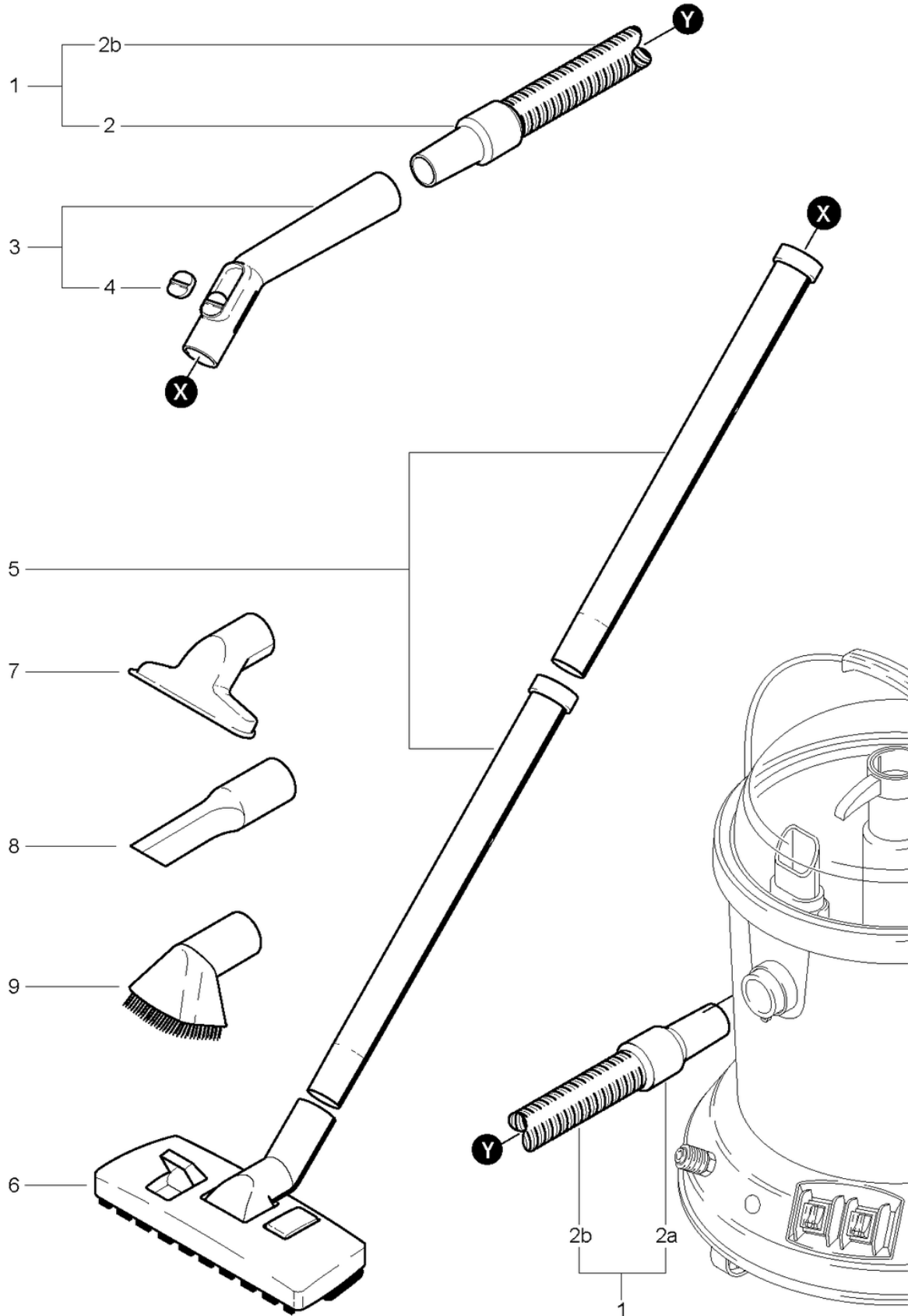
AquaPerl

Suction set

PDF created on: 16.07.2024 12:36



Aqua Perl



AquaPerl

Suction set

PDF created on: 16.07.2024 12:36

Pos.	Item no.	Spare part
1	P562	Suction hose 3m
2a	P576	Connection sleeve 35
2	P575	Connection sleeve 32
3	645.001	Hand tube
4	P581B	Slide
5	645.002	Metallic tube
6	645.103	Combi nozzle
7	645.004	Upholstery nozzle
8	645.006	Rubber crevice tool
9	645.005	Dropery brush

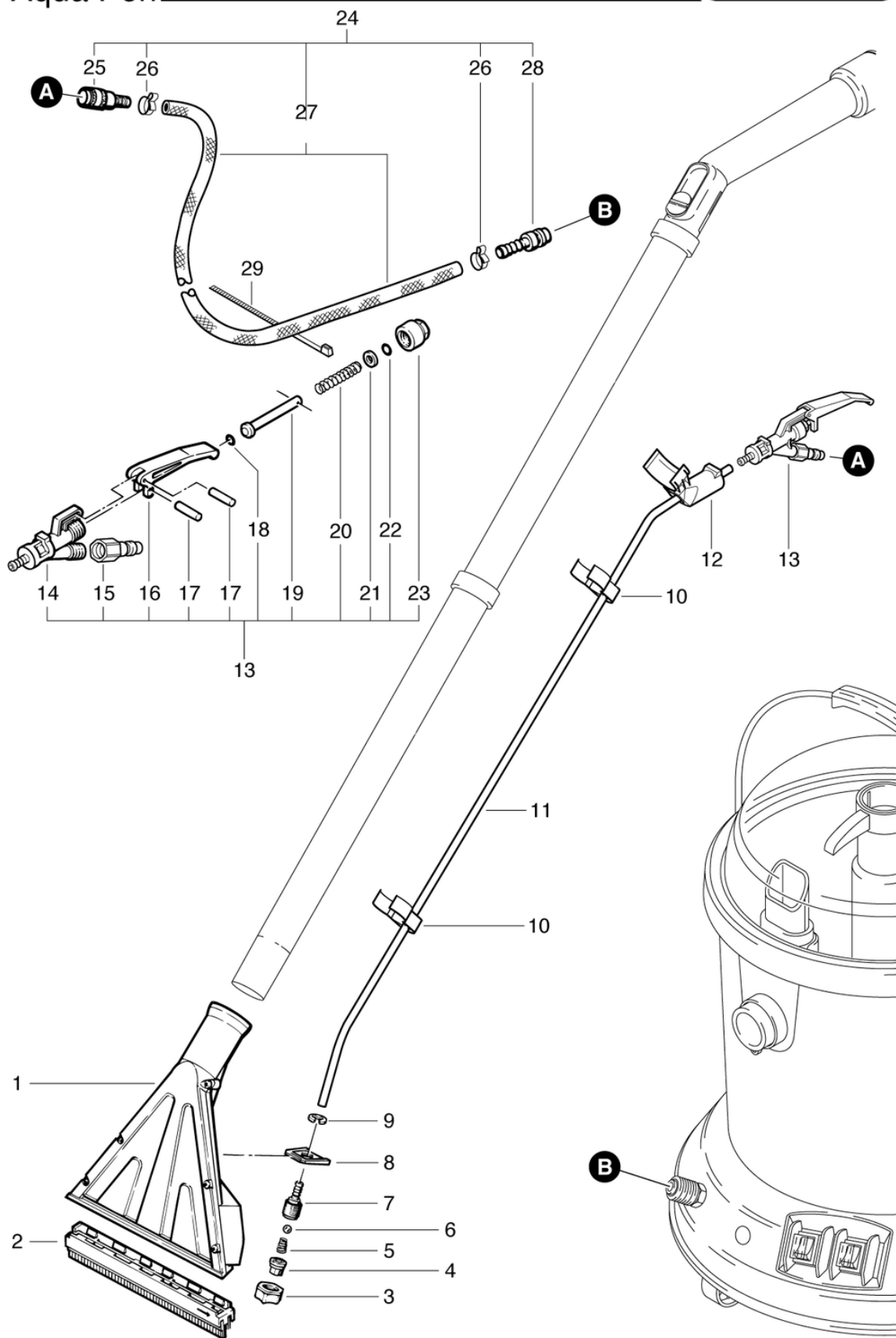
AquaPerl

Optional accessory Carpet tool

PDF created on: 16.07.2024 12:36



Aqua Perl



AquaPerl

Optional accessory Carpet tool

PDF created on: 16.07.2024 12:36

Pos.	Item no.	Spare part
1	P600D	Suction nozzle 23cm anthracite grey
2	P600W	Hard floor tool for nozzle 23cm
3	P602D	Union nut 3/8
4	P602C	Spray nozzle white
5	P444E	Compression spring 0.5/10.1;7/12
6	P172W	Ball ø7.14 for spray nozzle PA6.6
7	P602E	Nozzle holder
8	P602I	Nozzle holder
9	P499N	Shim DIN 6799 9/18,8/1,1 A2
10	P670	Holding clasp
11	P665	Sprinkler hose PUR 6/8 x 1085mm
12	606.020	Trigger Mounting Bracket
13	900.681	Trigger
14	P681A	Valve unit with nozzle
15	P501B	Coupling nipple 1/4 , large brass
16	P681C	Valve lever
17	P681K	Cylindrical pin 1,5/14,5
18	P681F	O-Ring ID5,23/2,62 NBR
20	P681E	Valve spring
21	P497G	Washer DIN 125 A M5 5,3/10/1 A2
22	P681G	O-Ring ID5/2 NBR
23	P681B	Union nut
24	900.666	Rubber Hose 6/8 x 2440mm
25	P500C	Quick coupling LW 8
26	P550A	Hose clamp 14.5-706R
27	035.561C	Spray hose ø 12 / 6 x 2.8m
28	P501C	Plug nipple large brass
29	P609	Cable tie black 4,8 x 178mm

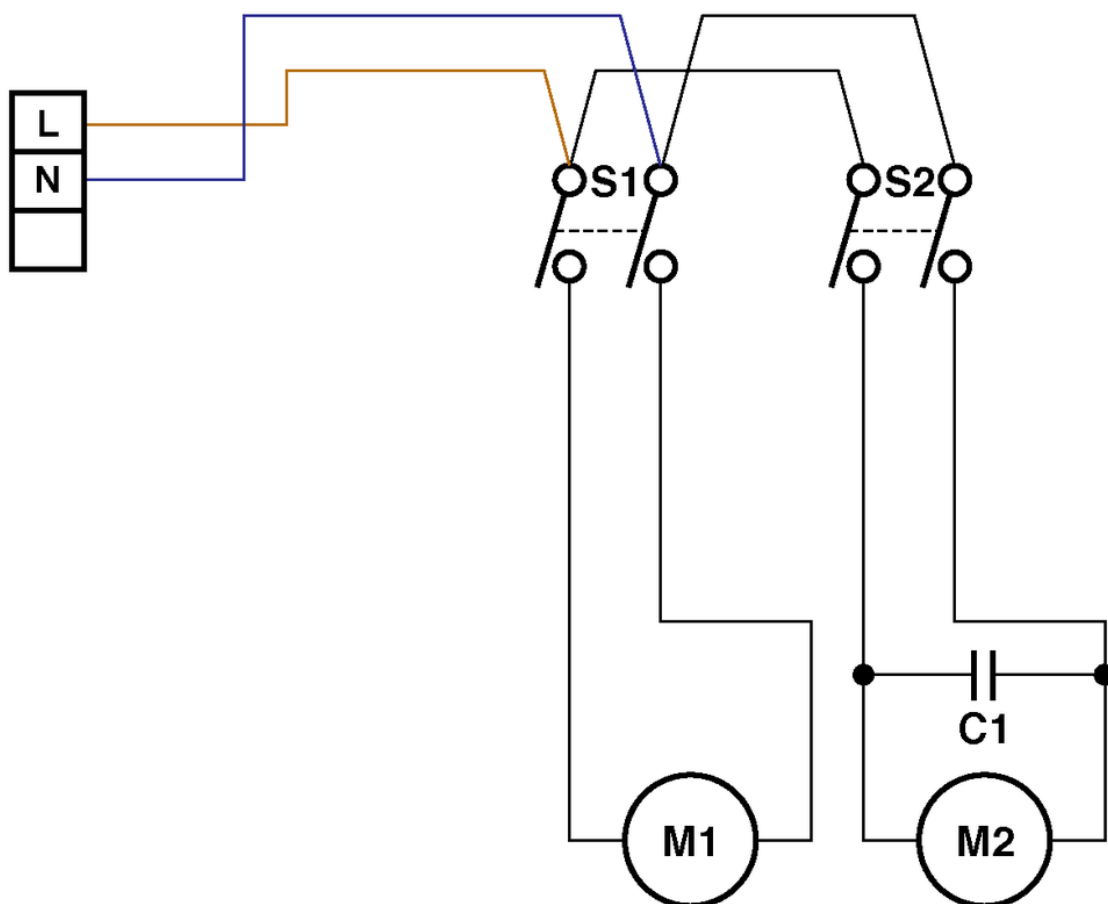
AquaPerl

Wiring diagram

PDF created on: 16.07.2024 12:36



Aqua Perl



- S1 = Schalter 1
- S2 = Schalter 2
- C1 = Kondensator 0,15 μ F
- M1 = Pumpe
- M2 = Saugmotor