

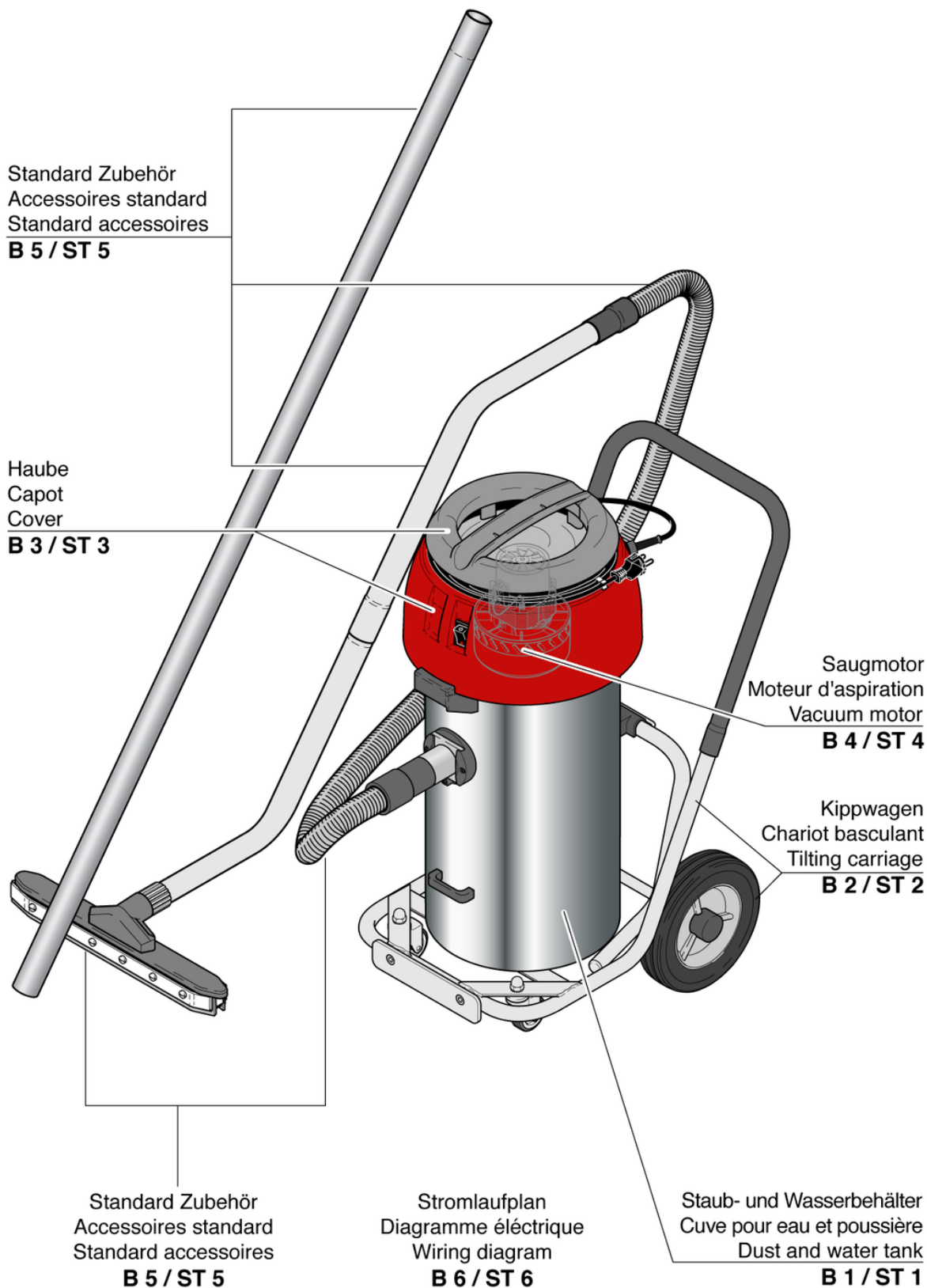
B25 KW

Table contents

PDF created on: 16.07.2024 13:55



B 25 KW



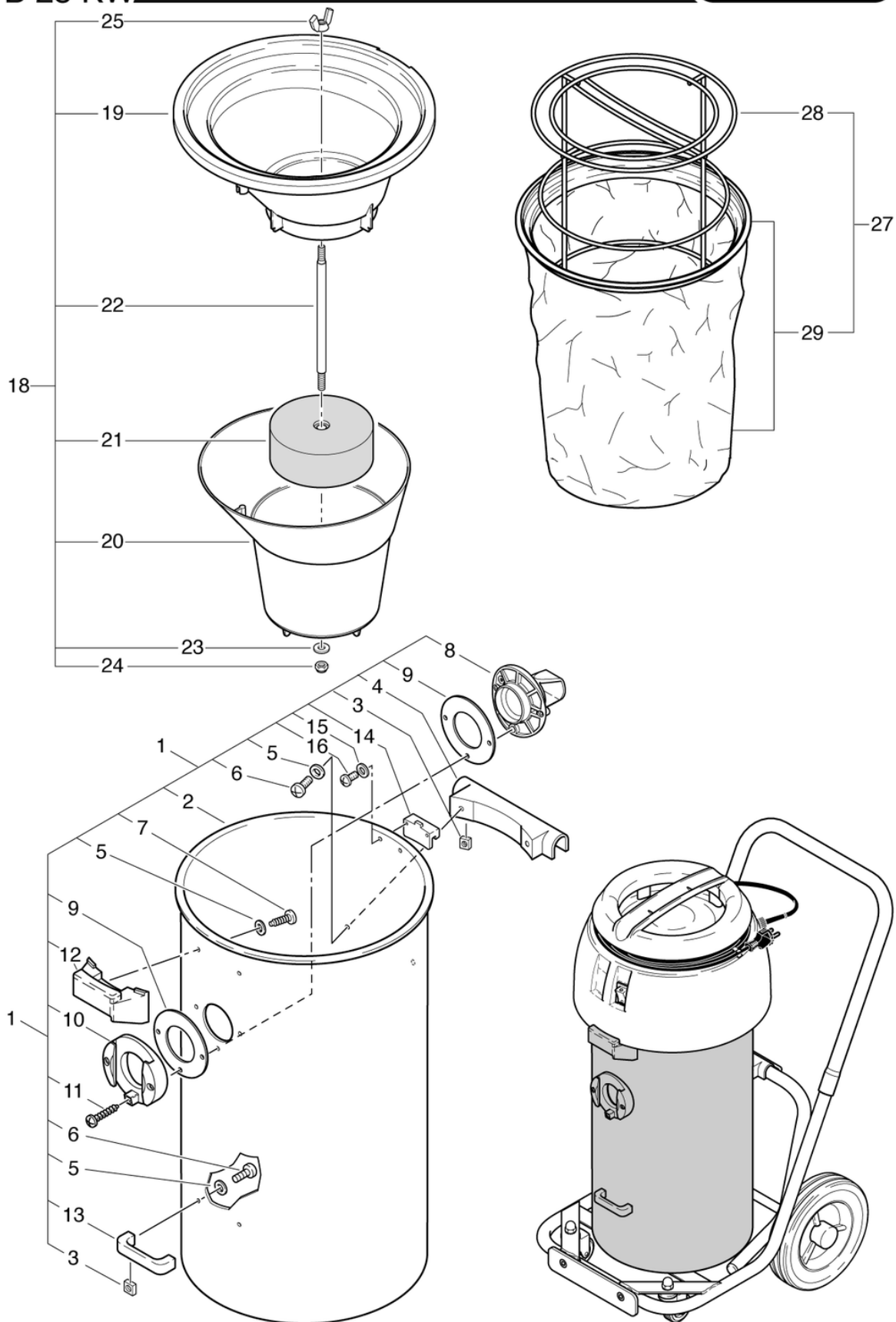
B25 KW

Dust and water tank

PDF created on: 16.07.2024 13:55



B 25 KW



B25 KW

Dust and water tank

PDF created on: 16.07.2024 13:55

Pos.	Item no.	Spare part
1	023.050	Dust and water tank, compl.
2	023.051	Dust and water tank
3	P491T	Nut DIN 557 M5 St galvanized
4	4011274	Mounting device
5	6230217	Shim 5 x 12 x 1 copper
6	P481L	Panhead screw ISO 7380-2 M5 x 10 A2
7	P516H	Screw WN 1451 K50 x 16
8	014.106	Deflectors SW21 anthracite gray
9	649012512	Seal
10	4012234	Anthracite gray tub connection
11	P515E	Screw WN 1452 K50 x 30
12	020.122	Hood sensor S20 anthracite gray
13	4011555	Carrying handle
14	023.110	Holder processed
15	P497AA	Shim DIN 125-A M4 4,3/9/0,8 Cu
16	P481M	Screw DIN 7985 M4 x 10 A2
18	021.601	Float insert cpl.
19	014.622A	Carrier wet suction
20	014.623	Float cover
21	014.620	Float Assembly
22	014.624	Float rod
23	P497K	Washer DIN 125 A M6 6,4/12/1,6 A2
24	P492K	Nut DIN 985 M6 A2
25	P253L	Wing nut Ø34 M6 through thread
27	023.900	Large area filter heat-resistant
28	676012221	Filter cartridge
29	023.930	Filter bag heatproof compl.

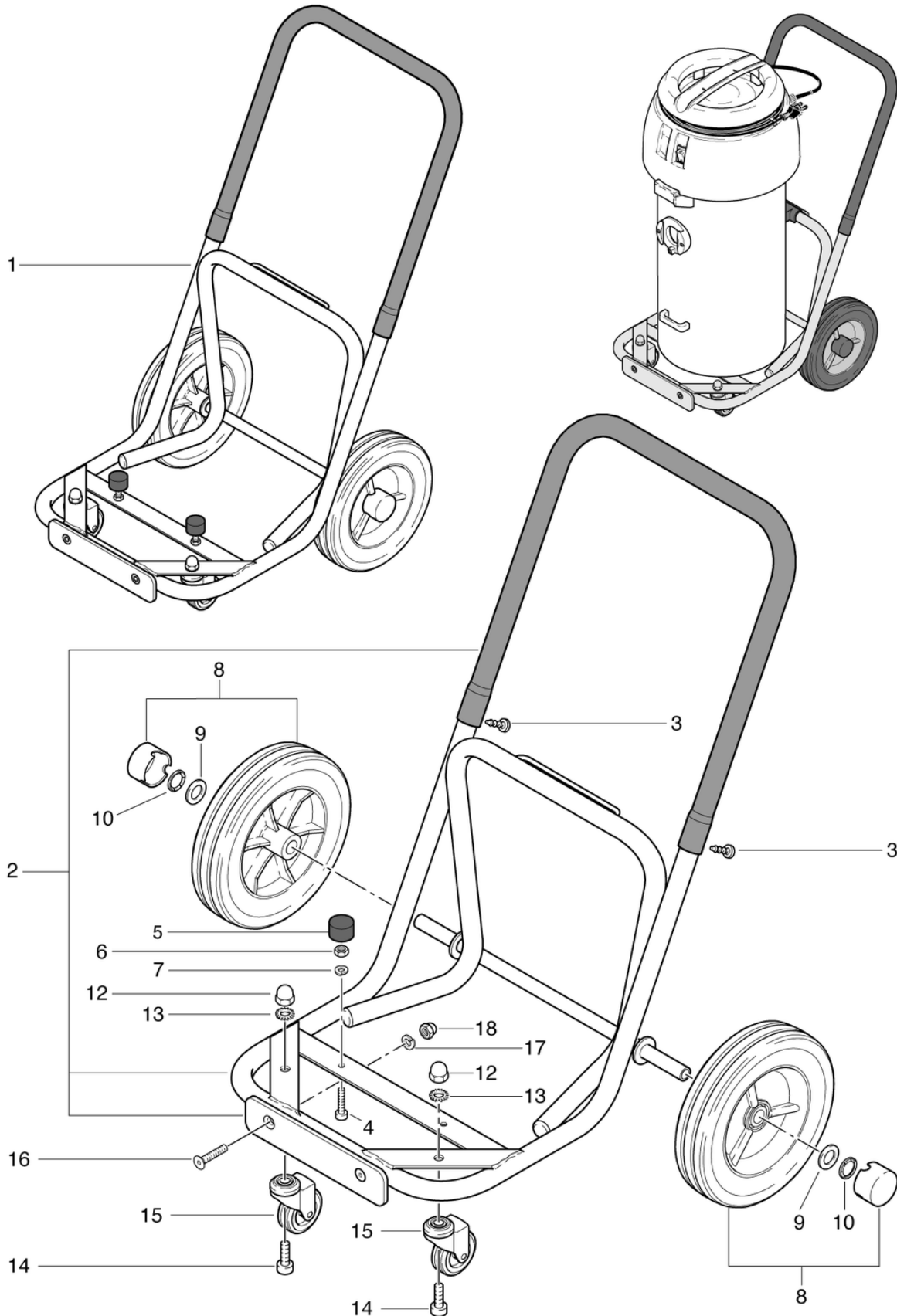
B25 KW

Tilting carriage

PDF created on: 16.07.2024 13:55



B 25 KW



B25 KW

Tilting carriage

PDF created on: 16.07.2024 13:55

Pos.	Item no.	Spare part
1	2012428	Dustbag basket cpl.
2	675012448	Tilting carriage
3	P483X	Screw DIN 7981 C 4,8 x 13
5	6475154	Seat buffer
6	P490D	Nut DIN 934 M6
7	P498U	Ring DIN 127 B M6 6,1/11,8/1,6 A2
8	6415378	Wheel compl.
9	P496Y	Shim DIN 125 M14 15/28/2,5
10	P500M	Ring Starlock 15 A2
12	P495P	Nut DIN 1587 M10 brass
13	P498O	Shim DIN 6798 A M10 10,5/18/0,9
14	P487K	Screw DIN 912 M10 x 25
15	P204	Caster ø75mm
16	P487R	Screw DIN 7991 M8 x 35
17	P498N	Ring DIN 127 B M8 8,1/14,8/2
18	P495O	Nut DIN 1587 M8 St galvanized

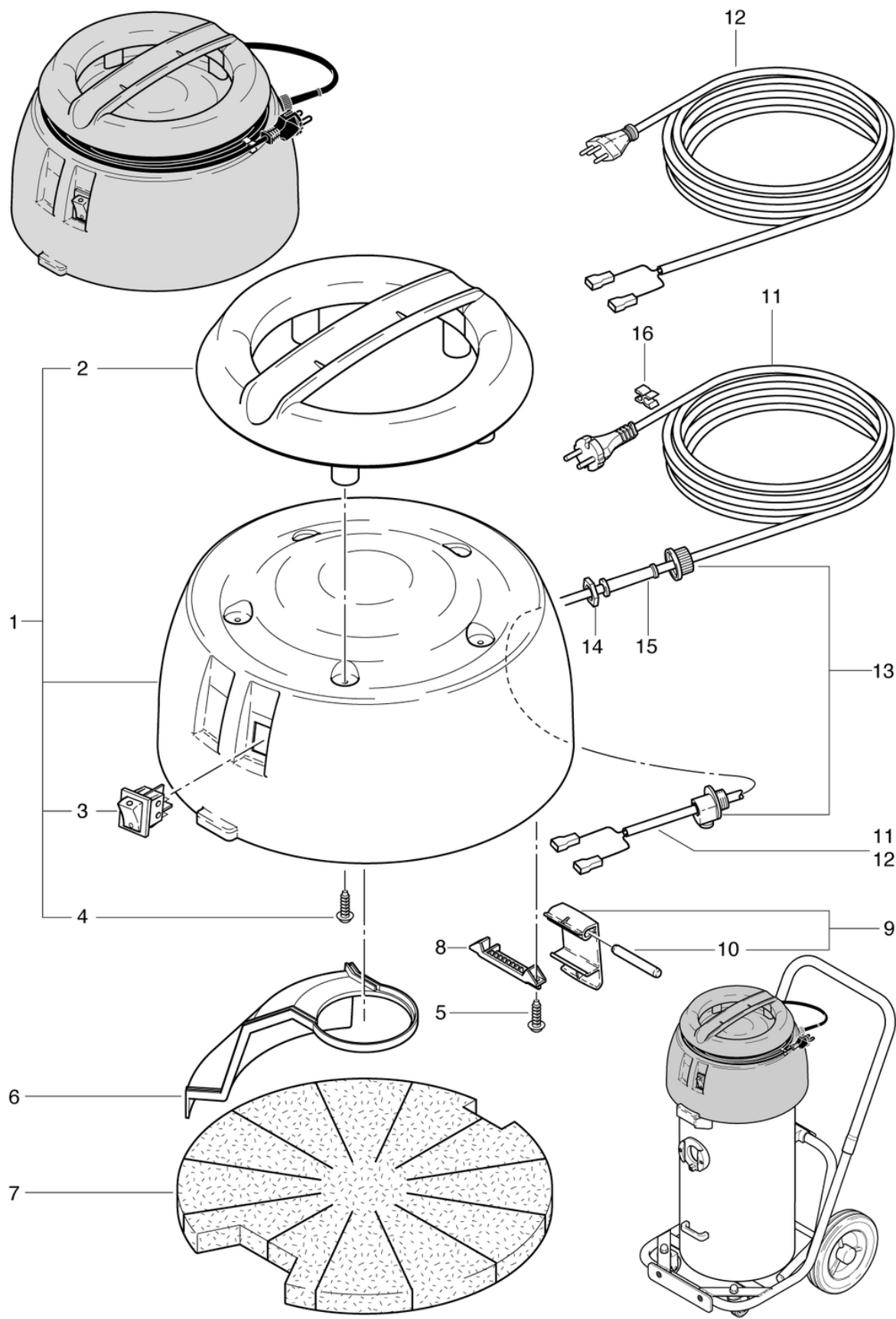
B25 KW

Cover

PDF created on: 16.07.2024 13:55



B 25 KW



B25 KW

Cover

PDF created on: 16.07.2024 13:55

Pos.	Item no.	Spare part
1	021.203	Cover compl. red printed
2	022.112	Handle
3	P240	Rocker switch orange 230V
6	020.213	Air canal
7	021.206	Noise absorber
8	020.114	bolt holder anthracite gray hard
9	020.116	Seal lever complete
10	022.115	Pin
11	P288A	Mains cable VDE 2 x 1.0mm ² , 10m
12	P287A	Main cable SEV 2 x 1,0mm ² , 10m
13	P279	2-part strain relief clamp
14	P279H	Lock nut PG9 brass nickel-plated
15	P280	Cable grommet
16	P278	Cable - clips gray

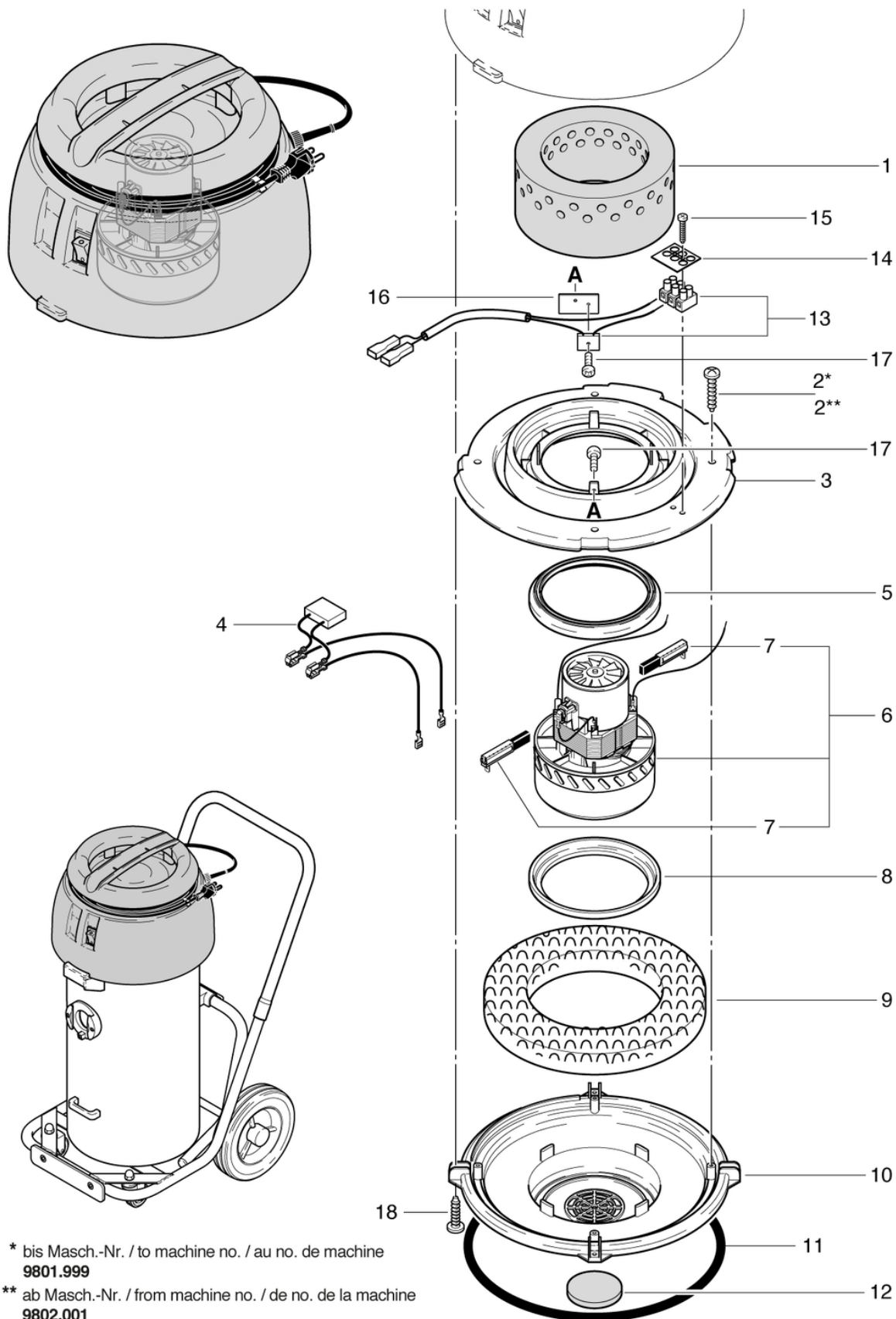
B25 KW

Vacuum motor

PDF created on: 16.07.2024 13:55



B 25 KW



* bis Masch.-Nr. / to machine no. / au no. de machine
9801.999

** ab Masch.-Nr. / from machine no. / de no. de la machine
9802.001

B25 KW

Vacuum motor

PDF created on: 16.07.2024 13:55

Pos.	Item no.	Spare part
1	020.211	Motor sound insulation
2	P516C	Screw WN 1452 K40 x 16
2	P515X	Screw WN 1452 K40 x 20
3	020.303	Holding plate
4	022.143	Cable harness suction engine incl. interference suppression capacitor
5	012.133	Seal for Motor S10/12
6	P870E	Suction motor 230V/50Hz 1000 W bp
7	P870KB	Carbon brushes (pair) OEP
8	P971H	Turbine sealing
9	020.309	Isolation Ring
10	020.308	Reinforcement Piece
11	020.304	Boiler seal
12	022.134	Air Filter for Motor
13	020.307A	Cable harness with clamp and temperature control
14	P390	Marking plate
15	P516E	Screw WN 1451 K30 x 20
16	023.105	Plate temperature sensor
17	P481M	Screw DIN 7985 M4 x 10 A2

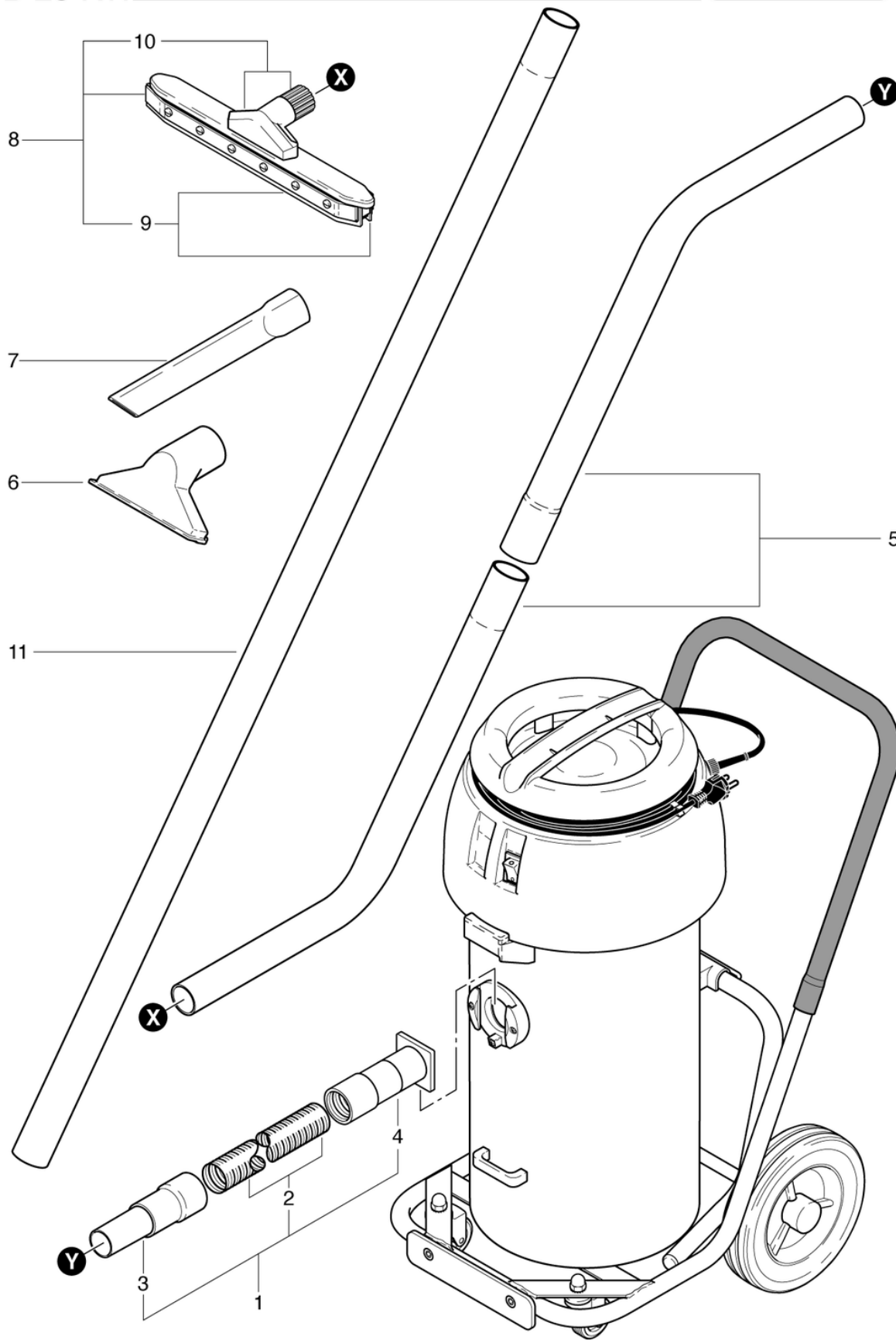
B25 KW

Standard accessoires

PDF created on: 16.07.2024 13:55



B 25 KW



B25 KW

Standard accessoires

PDF created on: 16.07.2024 13:55

Pos.	Item no.	Spare part
1	2011652	Heat-resistant suction hose 3m
2	024.571	Dust extraction hose, heatproof 3,0 m
3	024.572	Handle for bakery hose
4	2011736	Hose end connector
5	687011408	Chrome steel tube, bent, ø38mm (set)
6	3011375	Upholstery nozzle alu ø 38mm
7	686011239	Rubber crevice tool, Ø 38 mm
8	2011387	Oven nozzle heat-resistant
9	2011762	Rubber lip set
10	023.040	Jet body compl.
11	3011646	Stovepipe insulated 2.5m

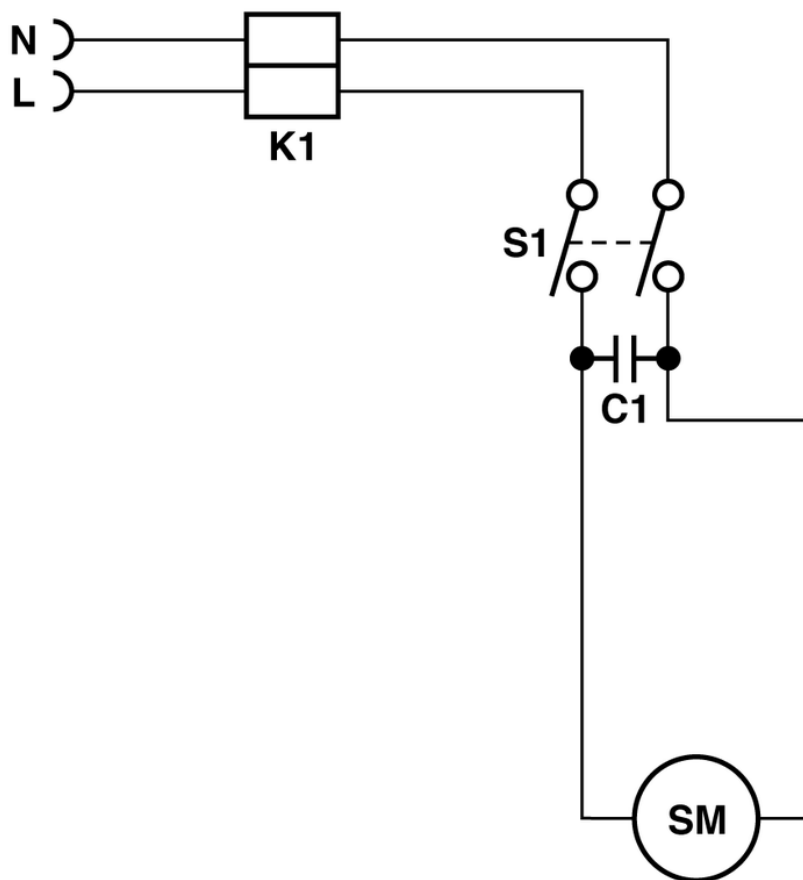
B25 KW

Wiring diagram

PDF created on: 16.07.2024 13:55



B 25 KW



- K1 = Reihenklemme / Serre-fil / Cable clamp
- S1 = Wippenschalter / Interrupteur / Tumbler switch
- C1 = Kondensator / Condensateur / Capacitor 0.15 F
- SM = Saugmotor / Moteur d'aspiration / Vacuum motor