

# DS8 - 400 V / 10 A

## Contents

PDF created on: 15.08.2024 02:27



### DS 8 400V

Saug-Dampfschlauch  
Tube aspiration / vapeur  
Suction hose with steam hose  
**B 7 / ST 7**

Stossbügel  
Guidon supérieur  
Upper pushbar  
**B 6 / ST 6**

Haube  
Capot  
Tank cover  
**B 1 / ST 1**

Saug-Dampfschlauch  
Tube aspiration / vapeur  
Suction hose with steam hose  
**B 7 / ST 7**

Dampfbehälter  
Recipient de vapeur  
Steam tank  
**B 3 / ST 3**

Saug-Dampfdüse  
Suceur à vapeur  
Suction steam nozzle  
**B 8 / ST 8**

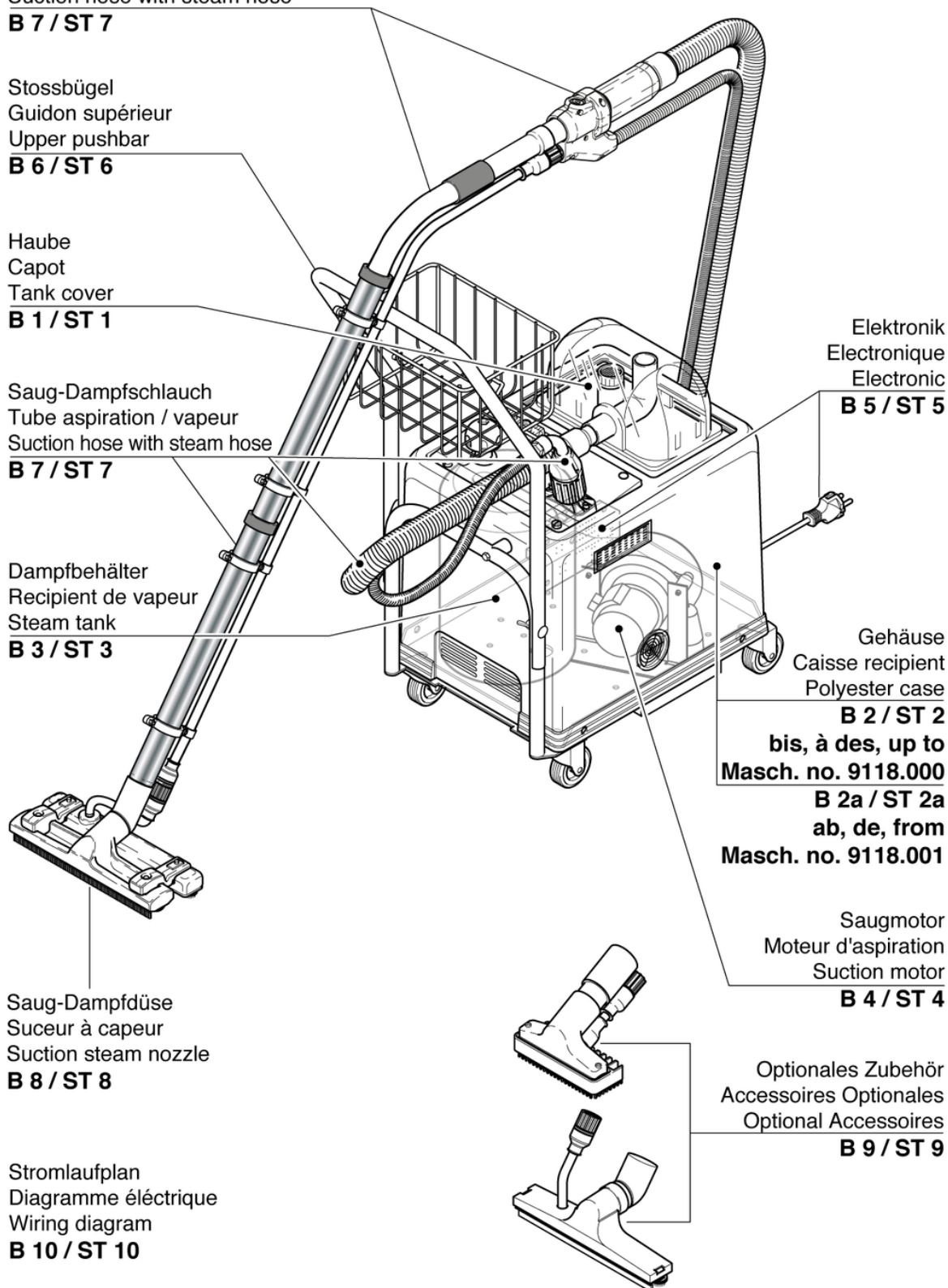
Stromlaufplan  
Diagramme électrique  
Wiring diagram  
**B 10 / ST 10**

Elektronik  
Electronique  
Electronic  
**B 5 / ST 5**

Gehäuse  
Caisse recipient  
Polyester case  
**B 2 / ST 2**  
bis, à des, up to  
Masch. no. 9118.000  
B 2a / ST 2a  
ab, de, from  
Masch. no. 9118.001

Saugmotor  
Moteur d'aspiration  
Suction motor  
**B 4 / ST 4**

Optionales Zubehör  
Accessoires Optionales  
Optional Accessoires  
**B 9 / ST 9**



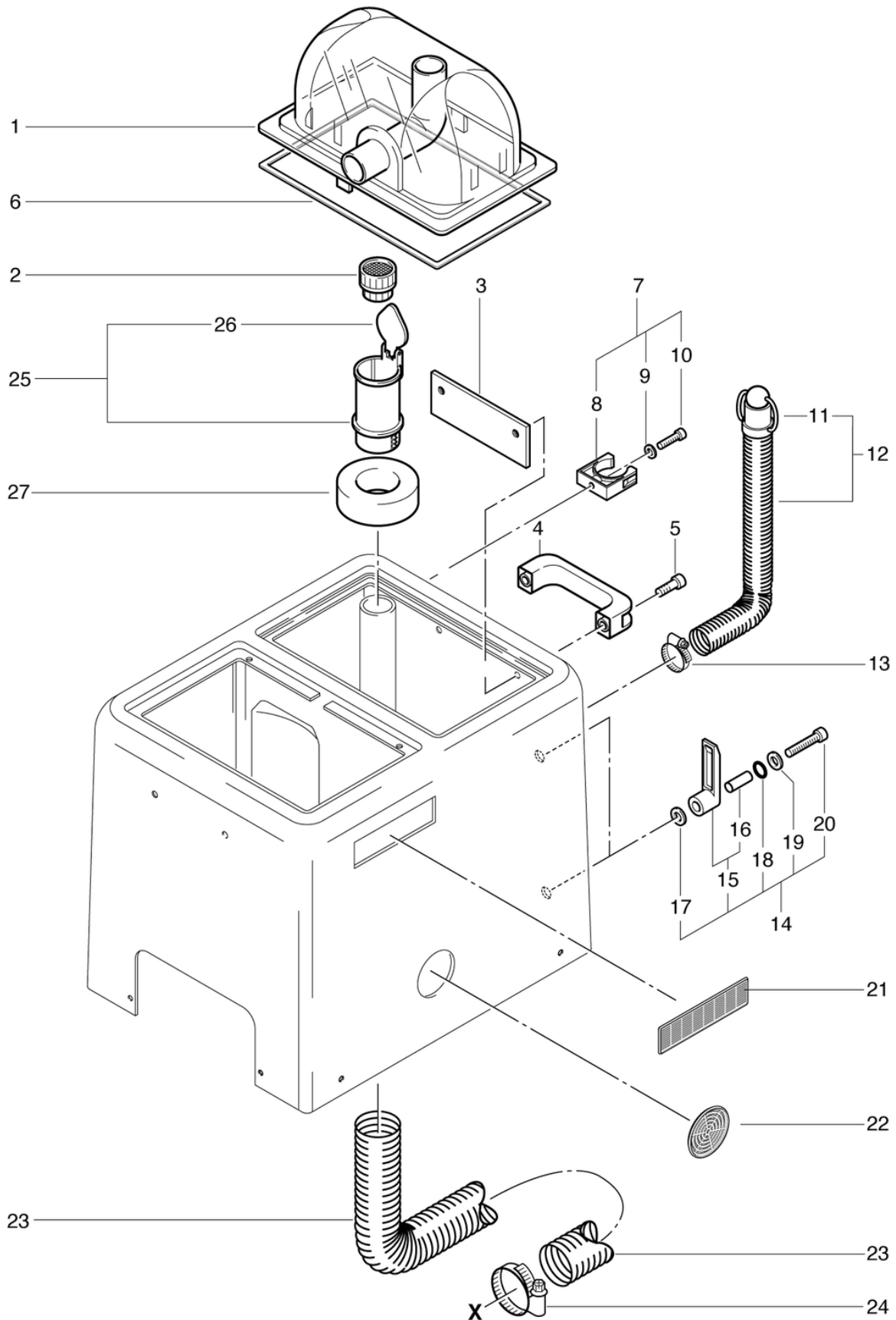
# DS8 - 400 V / 10 A

## Tank cover

PDF created on: 15.08.2024 02:27



DS 8 400V



# DS8 - 400 V / 10 A

## Tank cover

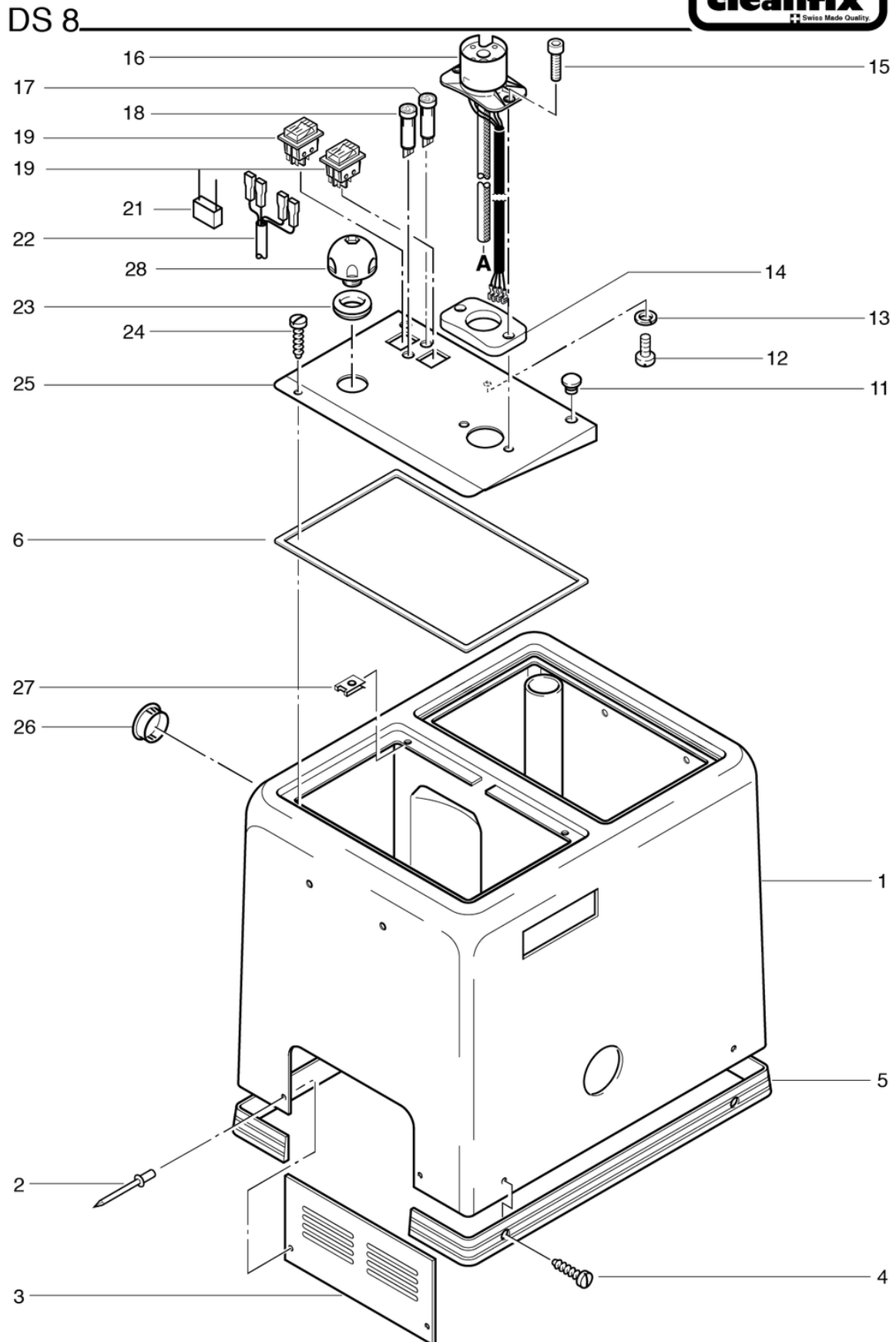
PDF created on: 15.08.2024 02:27

<b>Pos.</b>	<b>Item no.</b>	<b>Spare part</b>
1	P080	Cover 1-hole smoke transparent cpl.
2	P071	Suction pipe screen
3	033.116	Carrier plate
4	P058A	Handle
5	P486R	Screw DIN 912 M6 x 16
6	036.112	Hood poetry
7	P109	Hose support cpl. including Items 8-10
8	P109A	Hose holder anthracite
9	P496H	Shim DIN 125 A M5 5,3/10/1
10	P486K	Screw DIN 912 M5 x 20
11	P108C	Closure ball
12	050.108	Discharge Hose
13	P554B	Hose clamp 20 x 32
14	P087	Catch for cable black cpl.
15	P087A	Catch for cable black
16	P087B	Distance sleeve Ø8/6,2 x 18,8mm
17	P497H	Washer DIN 9021 M6 6,4/18/1,6 A2
18	P088	O-Ring 8,73/1,78 NBR
19	P496K	Shim DIN 125 A M6 6,4/12/1,6
20	P486W	Screw DIN 912 M6 x 30
21	P030K	Grating ventilation 144 x 35,5mm black
22	P030L	Ventilation grille round Ø 43mm black
23	036.412	Hose LW40 x 0.3m
24	P206D	Hose clamp 32-50mm/12
25	P074	Float with flap
26	P076D	Cover of the float
27	P074A	Floater rondel

# DS8 - 400 V / 10 A

## Polyester housing up to masch.No. 9118.000

PDF created on: 15.08.2024 02:27



# DS8 - 400 V / 10 A

## Polyester housing up to masch.No. 9118.000

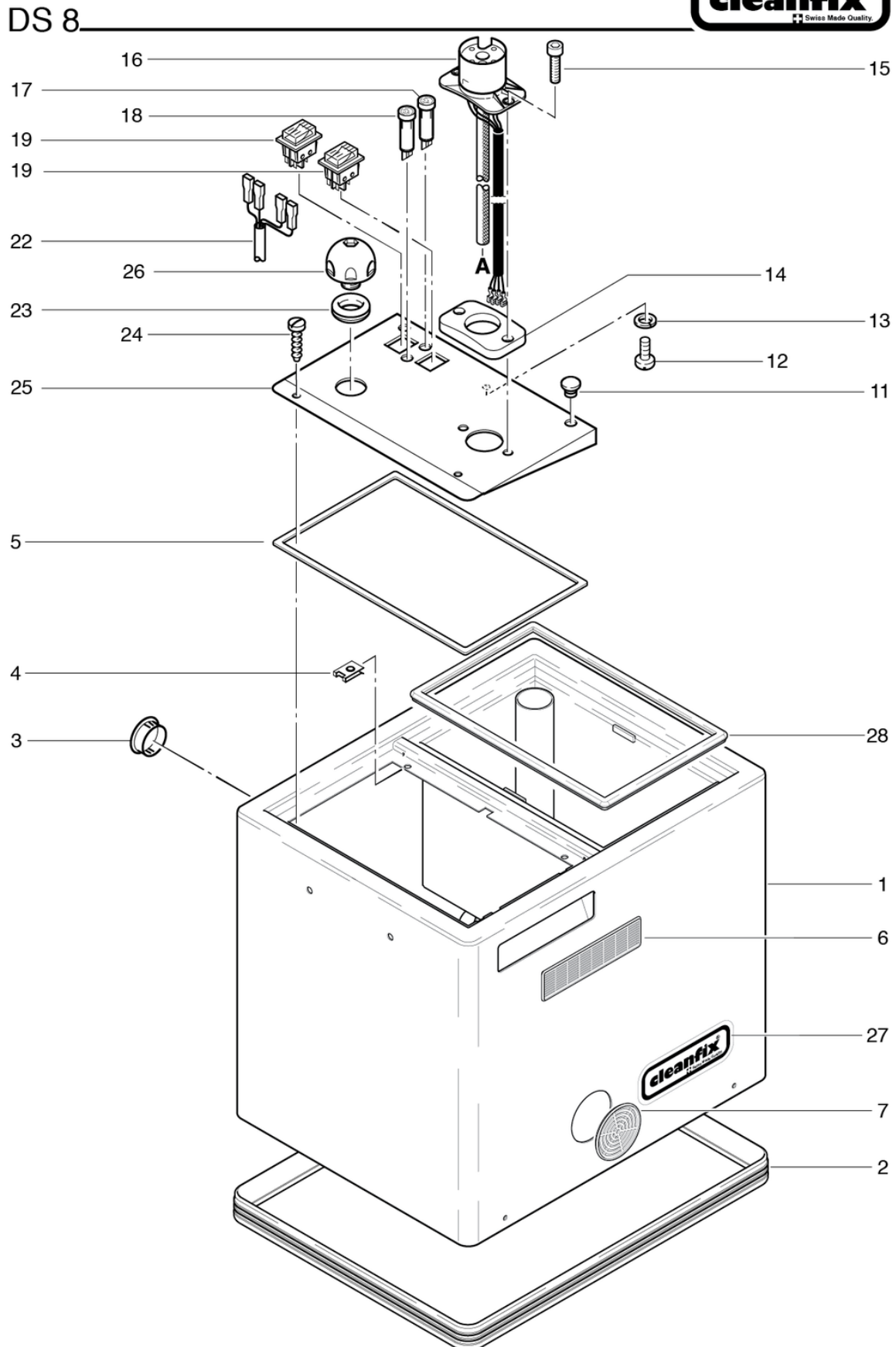
PDF created on: 15.08.2024 02:27

Pos.	Item no.	Spare part
1	033.110	Polyester housing
2	P485J	Rivet Ø 3x10
3	033.116	Carrier plate
4	P483O	Screw DIN 7981 TX25 C 4,8 x 19 A2
5	036.114	Bounce protection
6	036.113	Seal DS8
11	P539A	Cover TL-4 10,5 x 9,5 PE
12	P481P	Screw DIN 7985 M4 x 8
13	P498A	Ring DIN 127 B M4 4,1/7,6/0,9 CuSn
14	033.132	Support for socket
15	P486I	Screw DIN 7984 M5 x 16 galvanized
16	033.138	Socket
17	P355B	Signal light green 250V T120 ° C
18	P355	Signal light red 250V T120 ° C
19	P240	Rocker switch orange 230V
21	P393B	Capacitor 0,47 $\mu$ F
22	033.303A	Cable harness switch/control unit
23	033.136	Seal
24	P483L	Screw DIN 7981 C 4,2 x 25
25	033.131	Control panel cpl.
26	P171I	Cover black Ø28 x 31mm
27	P494E	Nut 4.2 / 3 - 3.9 St vz
28	028.370	Security catch

# DS8 - 400 V / 10 A

## Housing inox from masch.No. 9118.001

PDF created on: 15.08.2024 02:27



# DS8 - 400 V / 10 A

## Housing inox from masch.No. 9118.001

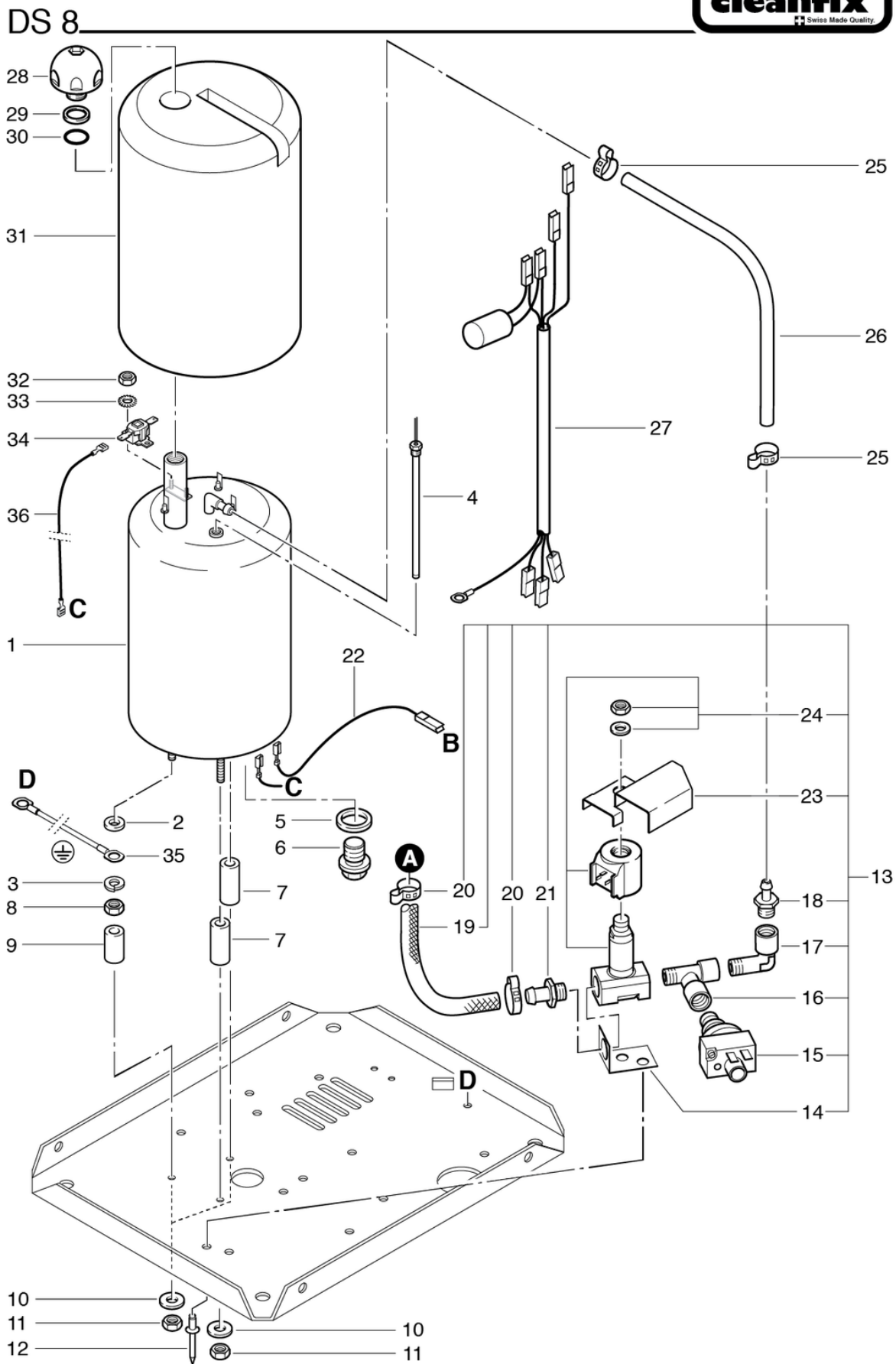
PDF created on: 15.08.2024 02:27

Pos.	Item no.	Spare part
1	036.110	Housing inox electropolished
2	036.114	Bounce protection
3	P171I	Cover black Ø28 x 31mm
4	P494E	Nut 4.2 / 3 - 3.9 St vz
5	036.113	Seal DS8
6	P030K	Grating ventilation 144 x 35,5mm black
7	P030L	Ventilation grille round Ø 43mm black
11	P539A	Cover TL-4 10,5 x 9,5 PE
12	P481P	Screw DIN 7985 M4 x 8
13	P498A	Ring DIN 127 B M4 4,1/7,6/0,9 CuSn
14	033.132	Support for socket
15	P486I	Screw DIN 7984 M5 x 16 galvanized
16	033.138	Socket
17	P355B	Signal light green 250V T120 ° C
18	P355	Signal light red 250V T120 ° C
19	P240	Rocker switch orange 230V
22	033.303A	Cable harness switch/control unit
23	033.136	Seal
24	P483L	Screw DIN 7981 C 4,2 x 25
25	033.131	Control panel cpl.
26	028.370	Security catch
27	110	Sticker Cleanfix
28	036.112	Hood poetry

# DS8 - 400 V / 10 A

## Steam tank

PDF created on: 15.08.2024 02:27





# DS8 - 400 V / 10 A

## Steam tank

PDF created on: 15.08.2024 02:27

Pos.	Item no.	Spare part
1	033.212.1	Steam tank 230V / 50Hz 1800W
2	P496K	Shim DIN 125 A M6 6,4/12/1,6
3	P498U	Ring DIN 127 B M6 6,1/11,8/1,6 A2
4	034.290	Thermo-sensor
5	033.221	Seal $\varnothing$ 30 x 21 x 2mm
6	P481S	Screw DIN 910 G1/2 A4
7	033.222	Container base long $\varnothing$ 12 / 6 x 27
8	P490D	Nut DIN 934 M6
9	033.223	Short container base $\varnothing$ 12 / 6 x 18
10	P497H	Washer DIN 9021 M6 6,4/18/1,6 A2
11	P493K	Nut DIN 985 M6
12	P485F	Blind rivet 5 x 80 Alu/St
13	033.205	Pressure control cpl.
14	028.223	Holder For Mag Control
15	028.222	Pressure Switch (Wiring)
16	P533A	T-formed connection 1/4-1/4
17	P533B	Angled connector G 1/4, $\text{\AA}$ , $\text{\AA}$
18	028.224E	Hose Connection Nipple
19	P588	Meter Steam hose 5/9 x 0,55m
20	P550I	Hose clamp 13.3-706R
21	028.224A	Hose connection nipple (exit)
22	033.305	Silicone câble rouge chauffage 1.5mm <sup>2</sup>
23	033.226	Valve cover
24	028.221	Solenoid valve 2/2-way 230V / 50Hz
25	P550A	Hose clamp 14.5-706R
26	033.219	Steam hose $\varnothing$ 6 / 13 x 0.4m
27	033.302	Cable harness to control unit
28	028.370	Security catch
29	028.373	Insulating rim $\varnothing$ 28 / 21,1 x 4
30	P962E	O-Ring 18,64/3,53
31	033.213	Isolation Cover
32	P490A	Nut DIN 934 M3
33	P499A	Washer DIN 6798 M3 3,2
34	028.255	Thermostat
35	033.317	Grounding wire 1.5mm <sup>2</sup> L = 440mm
36	033.311	Silicone wire blue 1.5mm <sup>2</sup> L = 500mm



# DS8 - 400 V / 10 A

## Suction motor

PDF created on: 15.08.2024 02:27

Pos.	Item no.	Spare part
1	033.201	Bottom Plate
3	033.246	Motor holder
4	033.250	Isolation box complete
5	033.252	Small isolation piece
6	033.260	Complete isolation tunnel
7	033.262	Large isolation piece
8	P485F	Blind rivet 5 x 80 Alu/St
15	033.231	Canal for cooling
16	P483H	Screw DIN 7981 C 2,9 x 6,5 A2
17	400.211	Suction motor 230 V / 50-60 Hz, 800 W
18	P870KH	Pair of carbon brushes LAMB
19	034.327	Wiring harness suction motor
20	P472S	Screw DIN 933 M6 x 16 A2
21	P497H	Washer DIN 9021 M6 6,4/18/1,6 A2
22	400.214	Round buffer M6 x 8 I-thread, $\varnothing$ 20 x 30
23	060.241	Round buffer M6 x 15, $\varnothing$ 20 x 15, M6 female thread
24	P493K	Nut DIN 985 M6
25	033.265	Noise absorber

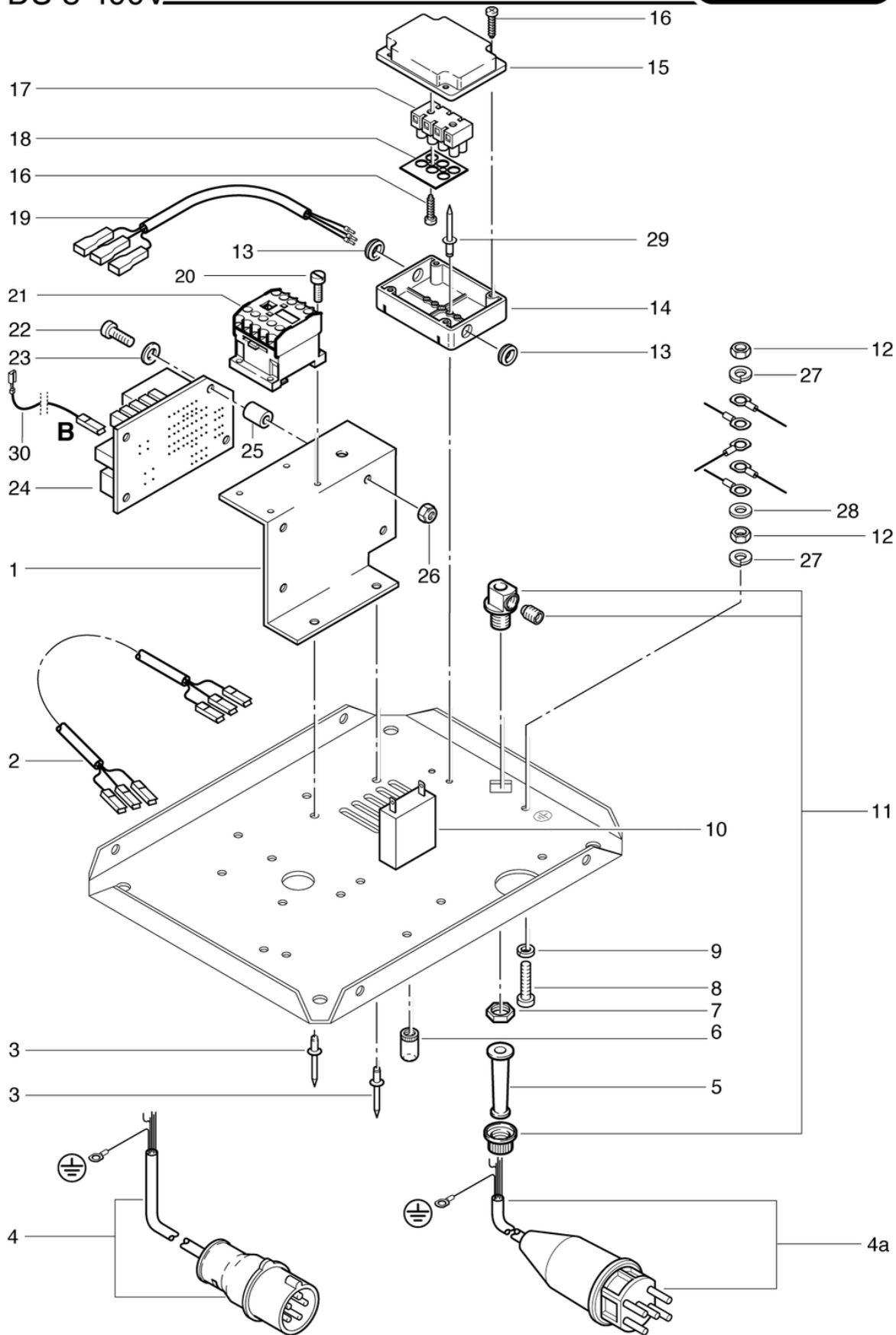
# DS8 - 400 V / 10 A

## Electronic

PDF created on: 15.08.2024 02:27



DS 8 400V



# DS8 - 400 V / 10 A

## Electronic

PDF created on: 15.08.2024 02:27

Pos.	Item no.	Spare part
1	033.240	Electronic support
2	033.304	Cable harness plug housing
3	P485F	Blind rivet 5 x 80 Alu/St
4a	P289	Main cable SEV, 5 x 1.0mm <sup>2</sup> , 7.5m, gray
4	P289A	Main cable 5 x 1.0mm <sup>2</sup> , 7.5m, CEE plug
5	P280E	Cable grommet 15-383
6	500.957A	Protective Cap
7	P279H	Lock nut PG9 brass nickel-plated
8	P478L	Screw DIN 84 M4 x 20 Ms
9	P498A	Ring DIN 127 B M4 4,1/7,6/0,9 CuSn
10	034.330	Motor Switch
11	P279	2-part strain relief clamp
12	P491Q	Nut DIN 934 M4 brass
13	P408K	Rubber clamp DA 11/14/3
14	033.270	Distribution box DS8
15	P379A	Terminal box cover
16	P516S	Screw WN 1452 K30 x 14
17	P383C	Screw terminal with DS 6-pol. 2.5mm <sup>2</sup>
18	P390A	Marking plate
19	033.301	Mains cable harness
20	P475B	Screw DIN 85 A M3 x 12
21	P353	Power protector 230V/50Hz 10A
22	P477A	Screw DIN 912 M3 x 14
23	P497J	Shim DIN 9021 M3 3,2/9/0,8
24	032.610	Electronics DS7 add on
25	P509A	Distance ring BN 5281 3,1/6/7,5 PA6.6
26	P492B	Nut DIN 985 M3 St vz
28	P497D	Shim DIN 125 A M4 4,3/9/0,8 Ms
29	P485J	Rivet Ø 3x10
30	033.305	Silicone câble rouge chauffage 1.5mm <sup>2</sup>

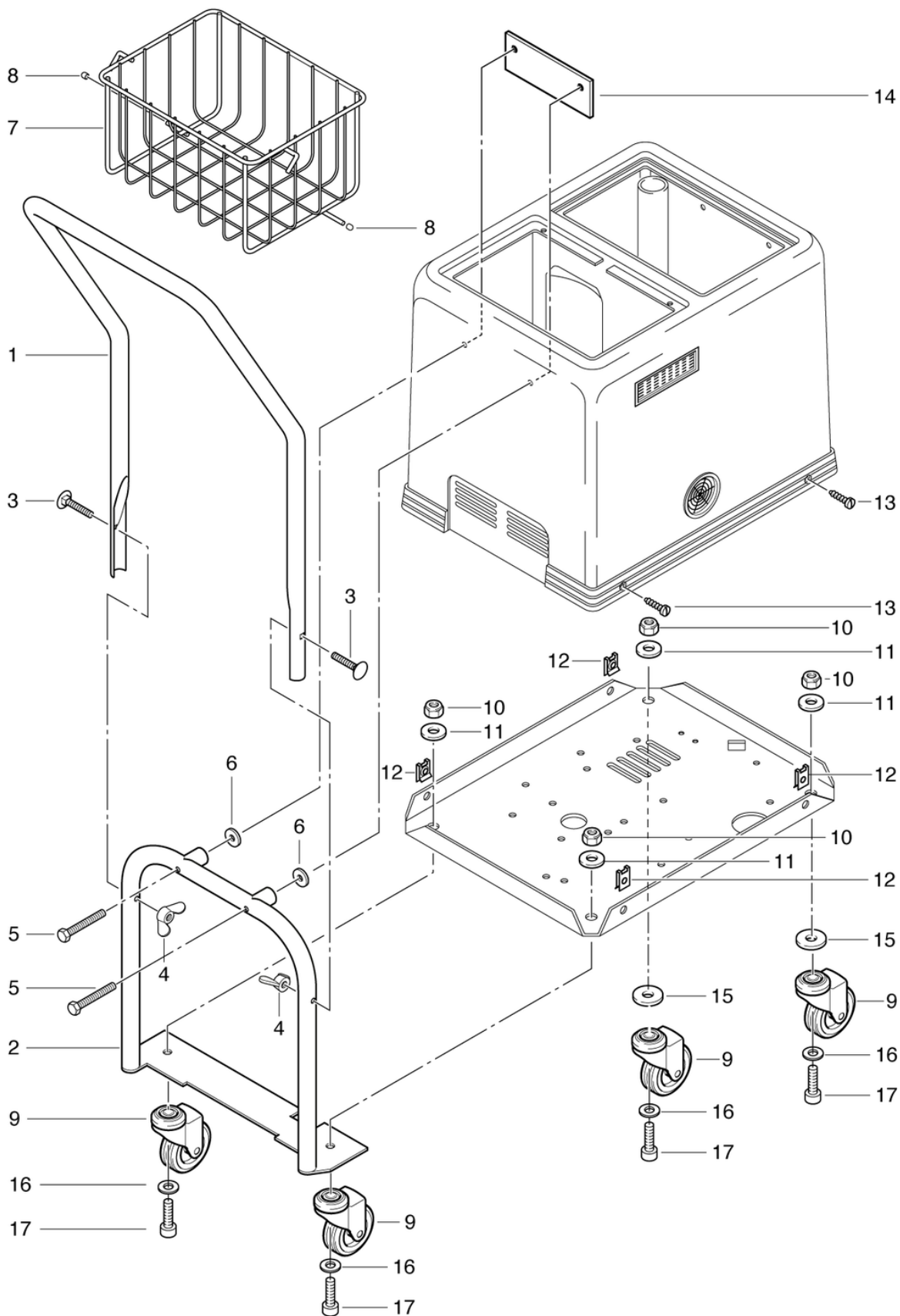
# DS8 - 400 V / 10 A

## Upper pushbar

PDF created on: 15.08.2024 02:27



DS 8 400V



# DS8 - 400 V / 10 A

## Upper pushbar

PDF created on: 15.08.2024 02:27

Pos.	Item no.	Spare part
1	036.275	Push bar upper part
2	036.276	Push bar lower part
3	P481GB	Screw DIN 603 M6 x 30 black
4	P494I	Nut DIN 315 M6 TPG
5	P470V	Screw DIN 931 M6 x 55 with shaft
6	P497H	Washer DIN 9021 M6 6,4/18/1,6 A2
7	036.277	Matreial basket
8	P170L	Cap PVC black d1 = 5mm
9	P204	Caster ø75mm
10	P492Q	Nut DIN 985 M10
11	P496S	Washer DIN 9021 M10 10,5/30/2,5 A2
12	P494B	Speed nut 4.8 / 0.8 - 1.6 A3A
13	P482B	Screw DIN 7981 C 4,8 x 19 black
14	033.116	Carrier plate
15	P204A	Shim 54/10,5/3
16	P498O	Shim DIN 6798 A M10 10,5/18/0,9
17	P487HA	Screw DIN 912 M10 x 35 A2

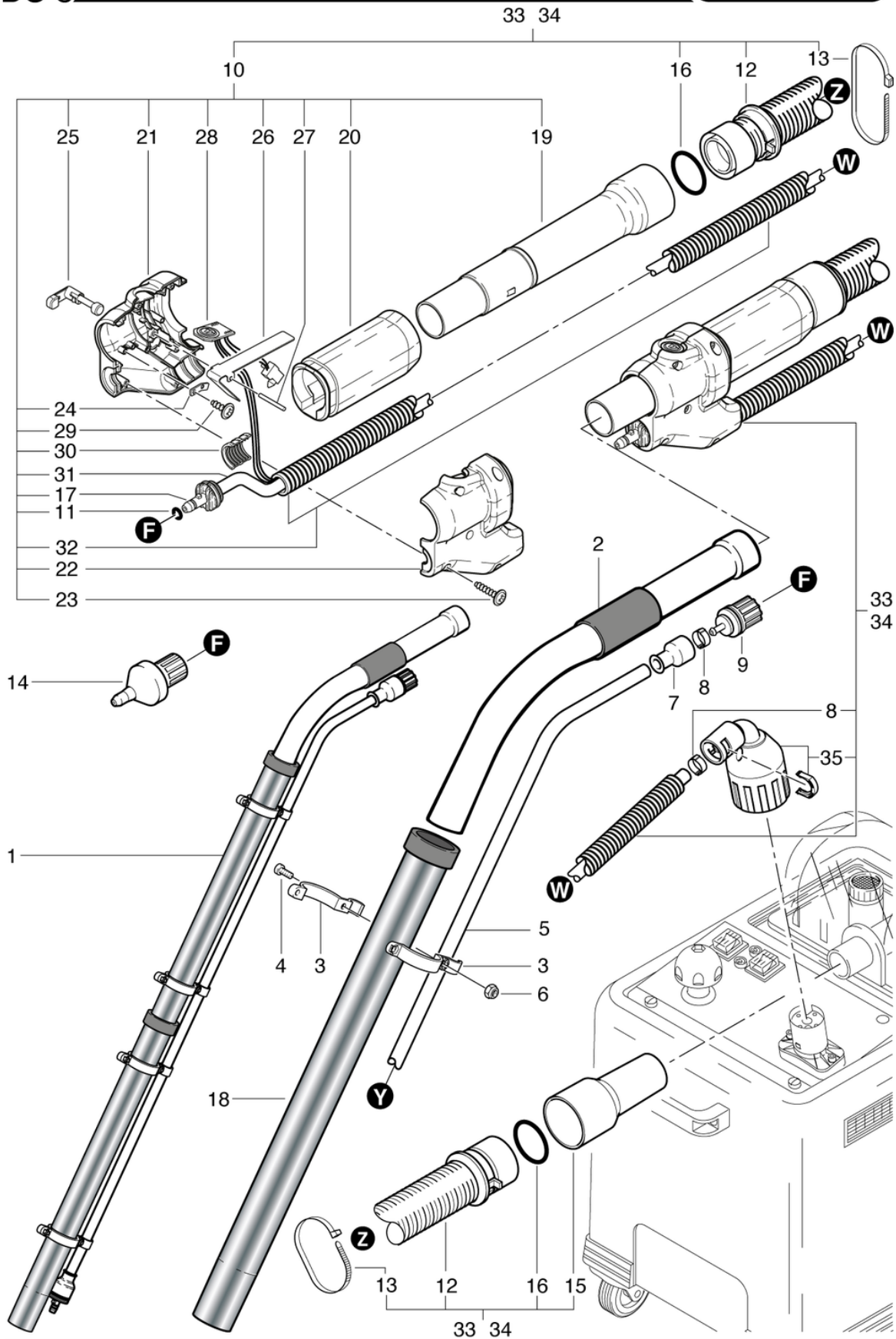
# DS8 - 400 V / 10 A

## Suction hose with steam hose

PDF created on: 15.08.2024 02:27



DS 8





# DS8 - 400 V / 10 A

## Suction hose with steam hose

PDF created on: 15.08.2024 02:27

Pos.	Item no.	Spare part
1	036.800	Vacuum and steam tube cpl.
2	P581D	Hand tube, inox
3	028.520	Steam Hose Clamp
4	P489D	Screw DIN 7984 M4 x 10 A2
5	036.411	Steam hose ground adapter
6	P490B	nut DIN 934 M4
7	028.680	Rubber Protection
8	P551A	Hose clamp 11,0-13,0-2-Ohr
9	028.510	Coupling sleeve cpl.
10	036.451	Steam electric ligne 3m
11	P962A	Ring DIN 3771 5,28/1,78 HITEC
12	033.412	DS7 Suction Hose
13	P609	Cable tie black 4,8 x 178mm
14	028.700	Jet nozzle
15	P575	Connection sleeve 32
16	500.412	Seal
17	028.670	Plug nipple cpl.
18	645.002A	Inox tube
19	036.900	Hand tube DS8
20	036.602	Handle front
21	036.901	Handle casing L
22	036.902	Handle casing R
23	P516E	Screw WN 1451 K30 x 20
24	036.603	Cable holder
25	036.601	Lock lever
26	036.604	Gear lever
27	P514H	Pin ISO 2338-A1-3H8 x 35
28	036.607	Cable harness converted L=3,66m
29	P515Y	Screw WN 1452 K30 x 6
30	028.856A	Tube discharge
31	P588	Meter Steam hose 5/9 x 0,55m
32	P571	Protective hose 3m (Meterware)
33	036.420	Vacuum and steam hose, 5m, with handgrip
34	036.410	Vacuum and steam hose, 3m, with handgrip
35	028.570	Coupling cpl.

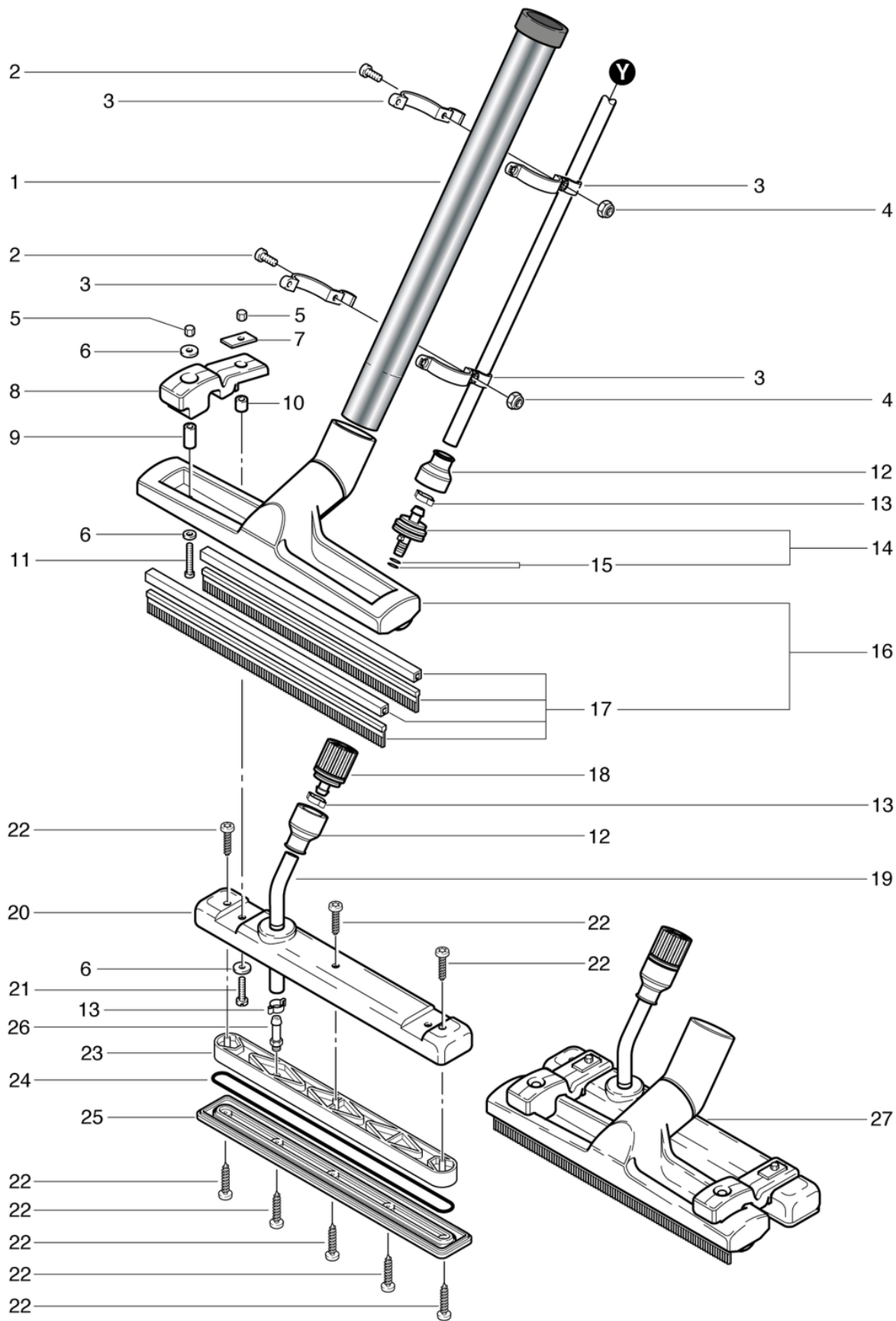
# DS8 - 400 V / 10 A

## Suction steam nozzle

PDF created on: 15.08.2024 02:27



DS 8 400V



# DS8 - 400 V / 10 A

## Suction steam nozzle

PDF created on: 15.08.2024 02:27

Pos.	Item no.	Spare part
1	645.002A	Inox tube
2	P489D	Screw DIN 7984 M4 x 10 A2
3	028.520	Steam Hose Clamp
4	P493D	Stopp-nut DIN 985 M4 A2
5	P495R	Nut DIN 1587 M4 A2
6	P497V	Shim DIN 7349 M5 5,3/15/2
7	028.623	Fixing Plate
8	028.622	rubber spring element
9	028.635	Large Distance Piece
10	028.624	Small distance piece
11	P475W	Screw DIN 85 A M4 x 30 A2
12	028.680	Rubber Protection
13	P550I	Hose clamp 13.3-706R
14	028.670	Plug nipple cpl.
15	P962A	Ring DIN 3771 5,28/1,78 HITEC
16	028.610	Suction part of floor tool compl.
17	646.110	Pair of Rubber Blades SW21
18	028.510	Coupling sleeve cpl.
19	028.639	Steam hose Ø 5x10x100
20	028.621	Cover for Steam Element
21	P475F	Screw DIN 85 A M4 x 20 A2
22	P516Y	Screw WN 1452 K25 x 8
23	028.616	Steam Tool
24	028.634	Closetline groundjet
25	028.630	Attachment with Bristles
26	028.662	Threaded nipple SW 8x28
27	028.600	Floor tool cpl.

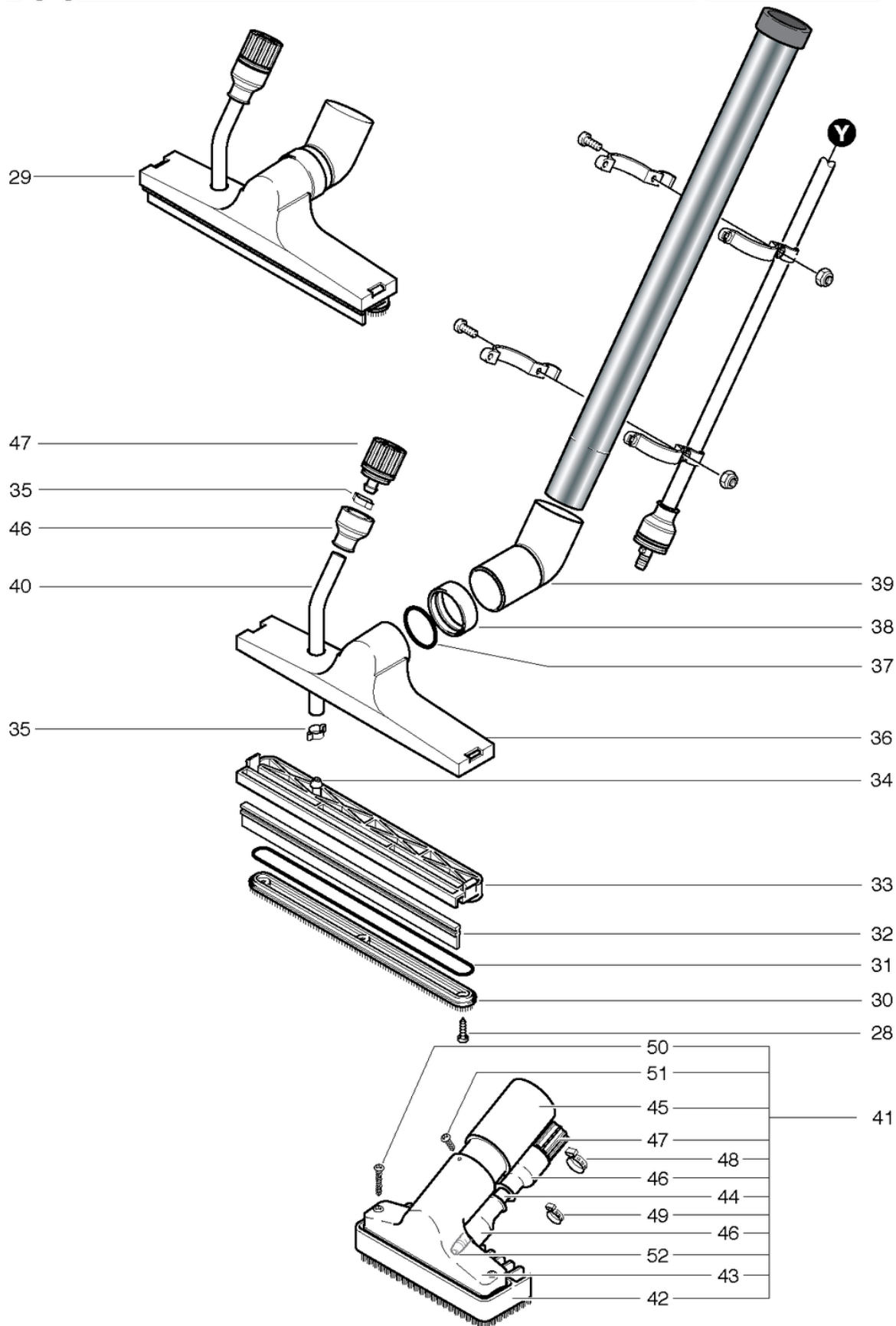
# DS8 - 400 V / 10 A

## Optional Accessoires

PDF created on: 15.08.2024 02:27



DS 8



# DS8 - 400 V / 10 A

## Optional Accessoires

PDF created on: 15.08.2024 02:27

Pos.	Item no.	Spare part
28	P516Y	Screw WN 1452 K25 x 8
29	028.650	Wall and ceiling nozzle
30	028.660	Small attachment with bristles
31	028.665	close line wall jet $\varnothing$ 4mm, L= 0,508m
32	028.661	Grey Rubber Blade
33	028.656	Steam insert for wall nozzle
34	028.631	Nipple SW8 x 23mm
35	P550L	Hose clamp 011.8-505R
36	028.651	Nozzle housing to wall nozzle
37	P964	Ring DIN 3771 31/1,5 NBR
38	028.652A	Fixing ring
39	028.652B	Tube connector
40	028.675	Steam hose $\varnothing$ 8 / 5 x 0.18m
41	028.910	Wall nozzle, 14cm
42	028.915	Suction head
43	028.911	Upholstery Tool
44	028.917	Steam hose to wall DS nozzle
45	028.916	Connector
46	028.680	Rubber Protection
47	028.510	Coupling sleeve cpl.
48	P550I	Hose clamp 13.3-706R
50	P515P	Screw WN 1452 K30 x 25
51	P515Y	Screw WN 1452 K30 x 6

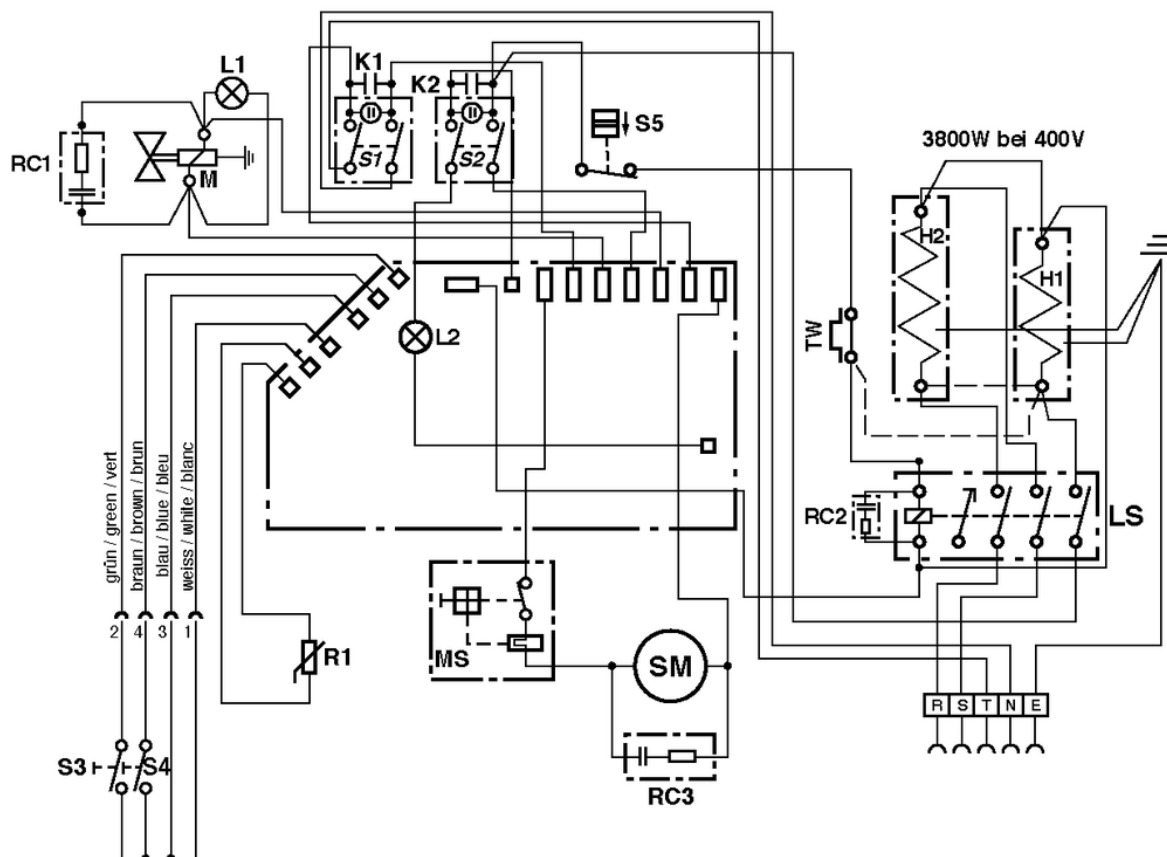
# DS8 - 400 V / 10 A

## Wiring diagram 230 V

PDF created on: 15.08.2024 02:27



DS 8 400V



- S1 = Hauptschalter / Main switch / Interrupteur principale
- S2 = Schalter für Heizung / Heater switch / Interrupteur pour chauffage
- S3 = Saugen / Vacuum / Sucer
- S4 = Dampf / Steam / Vapeur
- S5 = Druckschalter / Pressure switch / Pressostat
- K1 = Entstörkondensator
- K2 = Entstörkondensator
- L1 = Signallampe grün / Signalling lamp green / Lampe de signalement verte
- L2 = Signallampe rot / Signalling lamp red / Lampe de signalement rouge
- H1 = Heizung / Heating / Chauffage
- H2 = Heizung / Heating / Chauffage
- R1 = NTC-Widerstand / NTC resistor / Resistance-capacitance
- RC1 = RC-Glied 0,1 $\mu$ F - 1 / Resistance-capacitance 0,1 $\mu$ F - 1 / Resistance-condensateur 0,1 $\mu$ F - 1
- RC2 = RC-Glied
- RC3 = RC-Glied
- M = Magnetventil / Magnetic valve / Valve magnetique
- SM = Saugmotor / Vacuum motor / Moteur d'aspiration
- LS = Leistungsschutz / Power protector / Protection de puissance
- MS = Motorschutzschalter / Motor protection switch / Disjoncteur
- TW = Thermowächter / Thermostat / Thermostat