

G43-145

Contents

PDF created on: 01.09.2024 13:18



G43-145



Stiel und Griff
Manche et poignée
Stem and handle

B4 / ST4

Motor
Moteur
Motor

B2 / ST2 B3 / ST3

Maschinengehäuse
Boîtier de la machine
Machine housing

B1 / ST1

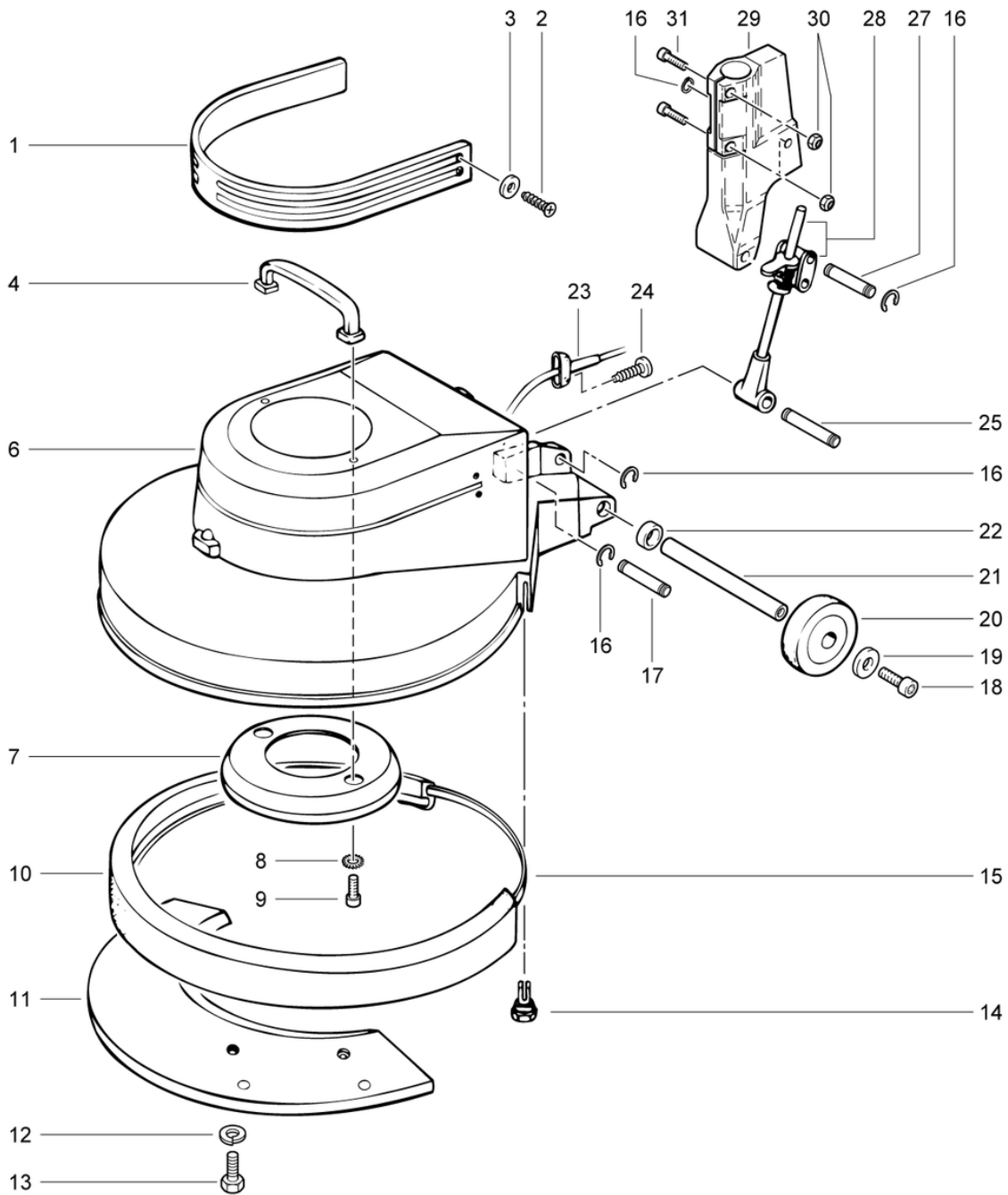
G43-145

Machine housing

PDF created on: 01.09.2024 13:18



G43-145



G43-145

Machine housing

PDF created on: 01.09.2024 13:18

Pos.	Item no.	Spare part
1	647411019	Decorative rubber strip
2	P515T	Screw DIN 7500 M5 x 16
3	P498I	Washer DIN 522 M5 5,3/20/1,5
4	6321595	Handle for 90 + 145 rpm
6	3611254	Machine housing gear red
7	4611123	Deflector panel
10	647611198	Bumper rubber
11	693611239	Extra weight 6.2 kg
12	P498U	Ring DIN 127 B M6 6,1/11,8/1,6 A2
13	P470X	Screw DIN 933 M6 x 20
14	672211143	Clamping bolt
15	673611165	Clamping strip
16	P499Q	Shim DIN 6799 8/16,3/1
17	672711016	Axis \varnothing 12 x 99mm
18	P489H	Screw DIN 912 M8 x 55 A2 with shaft
19	P496P	Washer DIN 125 A M8 8,4/16/1,6 A2
20	6415347	Wheel \varnothing 100 x 25mm
21	672211061	Wheel axle \varnothing 14/8 x 165.7
22	675611219	Spacer tube
23	6605178	Cable security
24	P515V	Screw DIN 7500 M4 x 25
25	672711017	Axis \varnothing 12 x 82.2mm
27	672711018	Axle
28	2711133	Handle adjuster cpl.
29	720.260	shaft adjustmenet lever
30	P493K	Nut DIN 985 M6
31	P486T	Screw DIN 912 M6 x 25

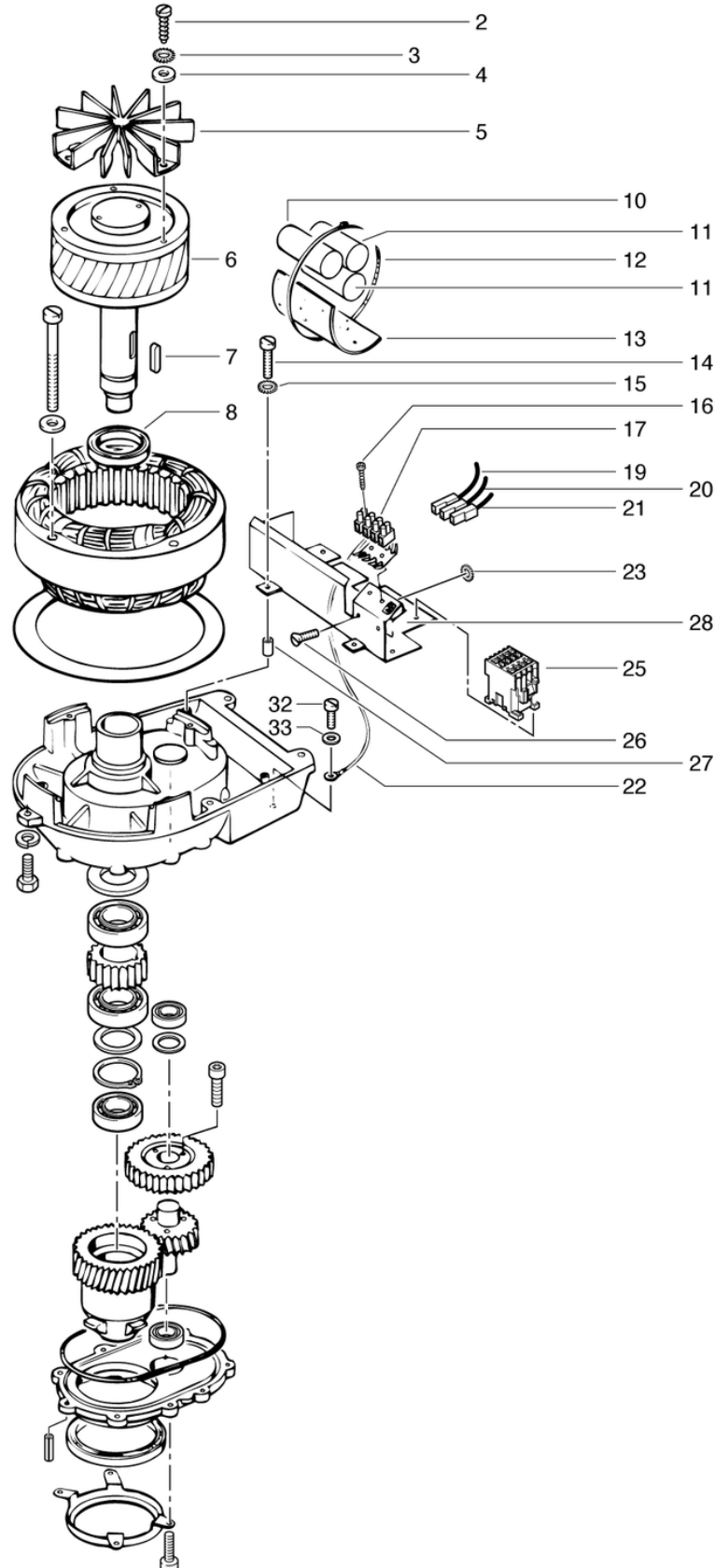
G43-145

Motor 1

PDF created on: 01.09.2024 13:18



G43-145



G43-145

Motor 1

PDF created on: 01.09.2024 13:18

Pos.	Item no.	Spare part
2	P483Q	Screw DIN 7981 C 4,2 x 16
3	P498B	Ring DIN 6798 M4 4,3/8/0,5
4	P496D	Shim DIN 125 A M4 4,3/9/0,8
5	4611168	Fan
10	6610420	Capacitor 20uF,450V (only 90 upm)
11	6610425	Capacitor 250uF/230V
12	P424	Cable tie black 4.8 x 300mm
13	648611834	Foam
14	P476j	Screw DIN 7985 M5 x 50
15	P496K	Shim DIN 125 A M6 6,4/12/1,6
16	P481Q	Screw BN 1023 M4 x 8
17	P383B	Terminal block with DS, 4-pin. 2.5mm ²
19	654611833	Stranded wire 1,5mm ² brown, L=160mm
20	654511198	Stranded wire blue, 1,5mm ² , 140mm
21	654611398	Stranded wire black ss 1,0mm ² , 70mm
22	654511194	Stranded wire yellow-green, 1,0mm ² , 190mm
23	P499A	Washer DIN 6798 M3 3,2
25	765.006	Set relay
26	P480A	Screw DIN 7991 M3 x 30
27	3611837	Bolt
28	3611836	Angle

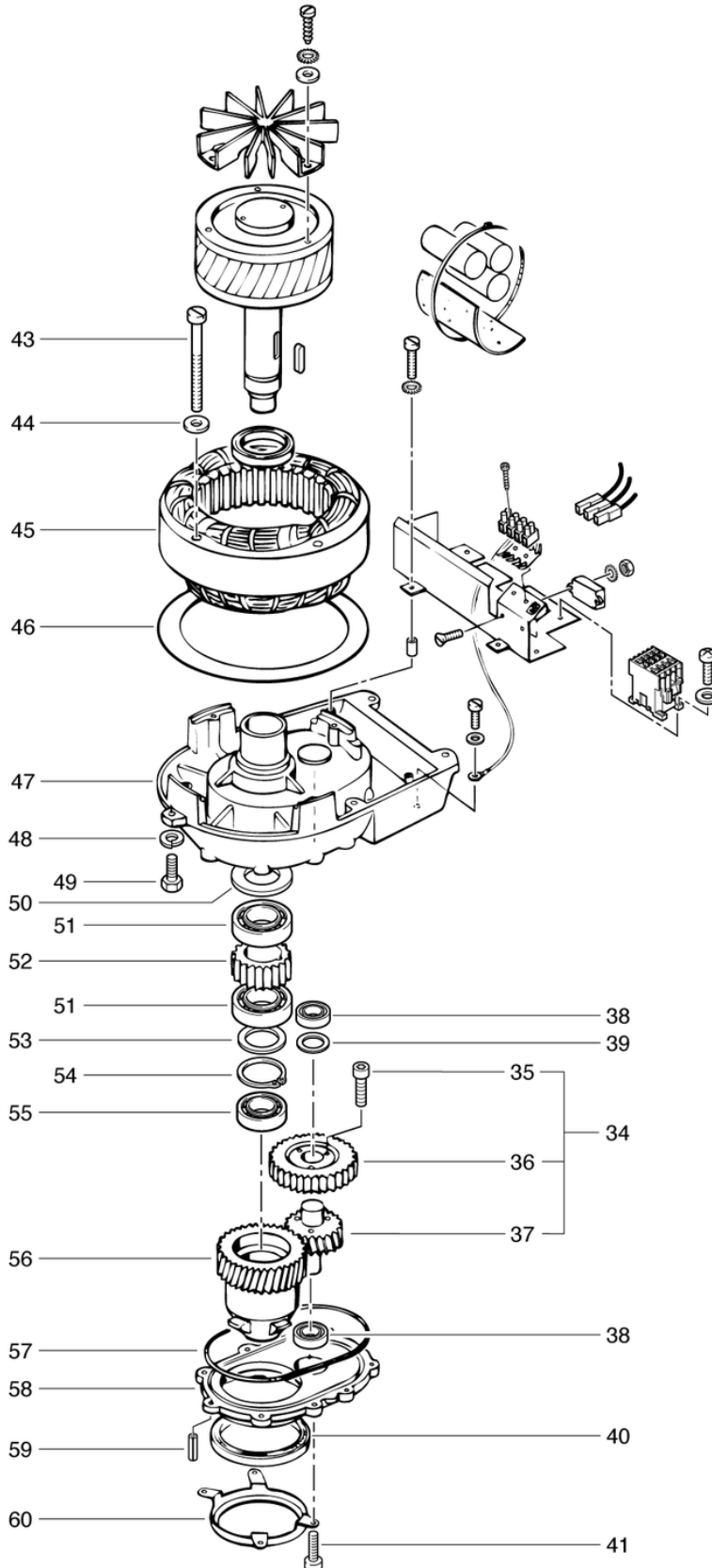
G43-145

Motor 2

PDF created on: 01.09.2024 13:18



G43-145



G43-145

Motor 2

PDF created on: 01.09.2024 13:18

Pos.	Item no.	Spare part
34	2611673	Gearing, 90/145 rpm
35	P487Q	Screw DIN 6912 M5 x 16 St vz
36	3611147	Intermediate gear 90.145 rpm, Resitex 48T
37	3611149	Gear 15 t
38	6426405	Ball bearing 6000 ø10/26 x 8
39	6230251	Distance shim ø10,2 x 16 x 0,2mm
40	6456812	Rotary shaft seal 80x 100/10mm
41	P486X	Screw DIN 912 M6 x 22
43	P486M	Screw DIN 912 M5 x 60 with shaft
44	P498I	Washer DIN 522 M5 5,3/20/1,5
45	3611193	Stator cpl.
46	668611059	Stator support
47	3611253	Gear box cpl.
48	P498U	Ring DIN 127 B M6 6,1/11,8/1,6 A2
49	P470X	Screw DIN 933 M6 x 20
50	6456805	Shaft sealing ring 20 x 35/7mm
51	6426450	Deep groove ball bearing 6204 + ø47 / 20 x 14
52	3611148	Motor pinion, 15 teeth, 90/145 rpm
53	P499WW	Shim DIN 988 20/32/0,5
54	P499K	Ring DIN 471 20/1,2
55	6426440	Deep groove ball bearing 6202 ø35 / 15 x 11
56	3611025	Gear driver Z48
57	6456846	O-Ring 155/3,5
58	3611143	Gear cover
59	P512H	Pin DIN 6325 4 x 16 pcs
60	4611171	Cover plate

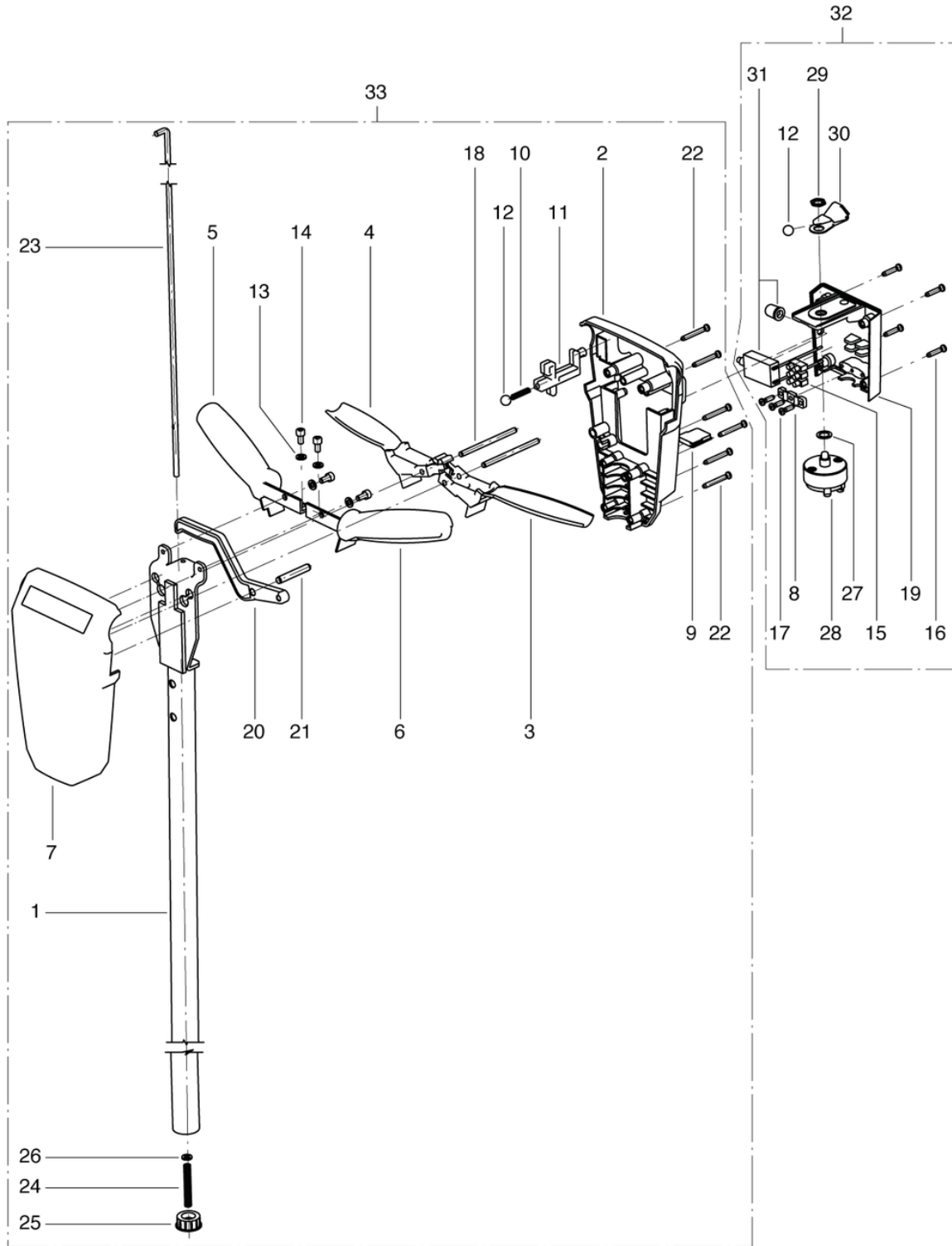
G43-145

Stem and handle

PDF created on: 01.09.2024 13:18



G43-145



G43-145

Stem and handle

PDF created on: 01.09.2024 13:18

Pos.	Item no.	Spare part
1	731.410	Handle tube NI
2	731.322	Stem top rear anthracite gray
3	731.325	Shift handle L black NI
4	731.324	Shift handle R black NI
5	731.210	Handle right
6	731.211	Handle left
7	731.321	Stem top front anthracite gray
8	742.321	Cable clamp
9	741.216	Switch Handle
10	742.209	Compression spring VD-090L 0.55 / 6 / 29.2
11	731.323	Child lock red
12	6440640	Ball DIN 5401 15/32"
13	P498U	Ring DIN 127 B M6 6,1/11,8/1,6 A2
14	P486Q	Screw DIN 912 M6 x 12 A2
15	P383A	Screw terminal with DS 3-pol. 2.5mm ²
16	P515L	Screw WN 1452 K50 x 25 A2
17	P516Q	Screw WN 1452 K50 x 18
18	P513Y	Pin ISO 2338 6 x 90 pieces blank
19	765.065	Terminal box gearbox machined anthracite gray
20	731.326	Adjustable handle anthracite gray
21	P513X	Pin ISO 2338 8 x 50 pieces blank
22	P515O	Screw WN 1452 K50 x 40
23	731.212	Rod (long) L=840mm
24	634711031	Compression spring 1 / 6.2 / 55
25	623711022	Guide Sleeve
26	P496K	Shim DIN 125 A M6 6,4/12/1,6
27	P099A	Shim 12/18/1 St 2K50
28	6650454	Switch
29	6650461	Hex nut M 12x0.75
30	2711171	Switching-off device
31	6640482	Overload circuit breaker
32	731.400	Connection box
33	731.200	Handle