

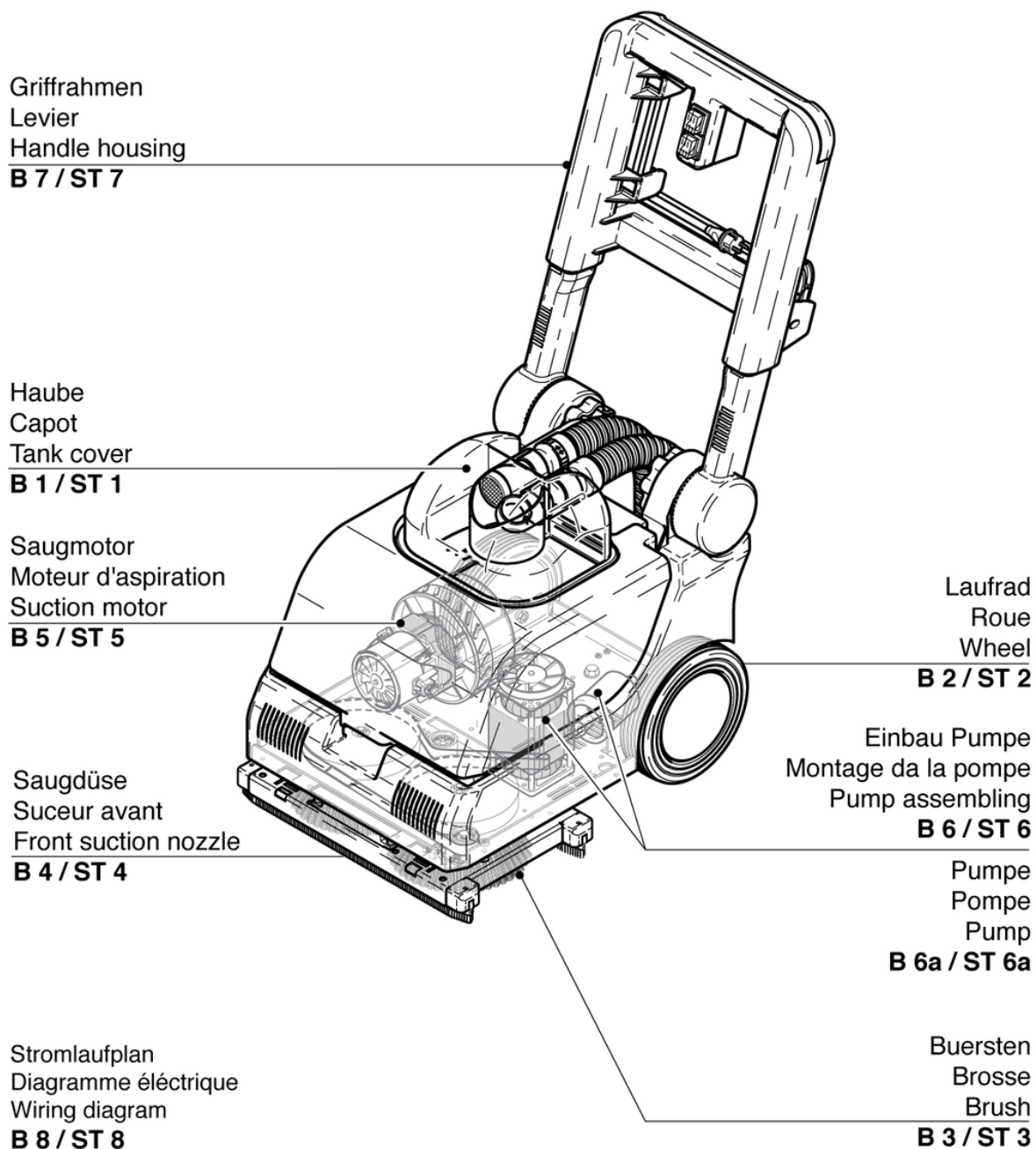
RA300E

Contents

PDF created on: 16.07.2024 12:47



RA 300 E



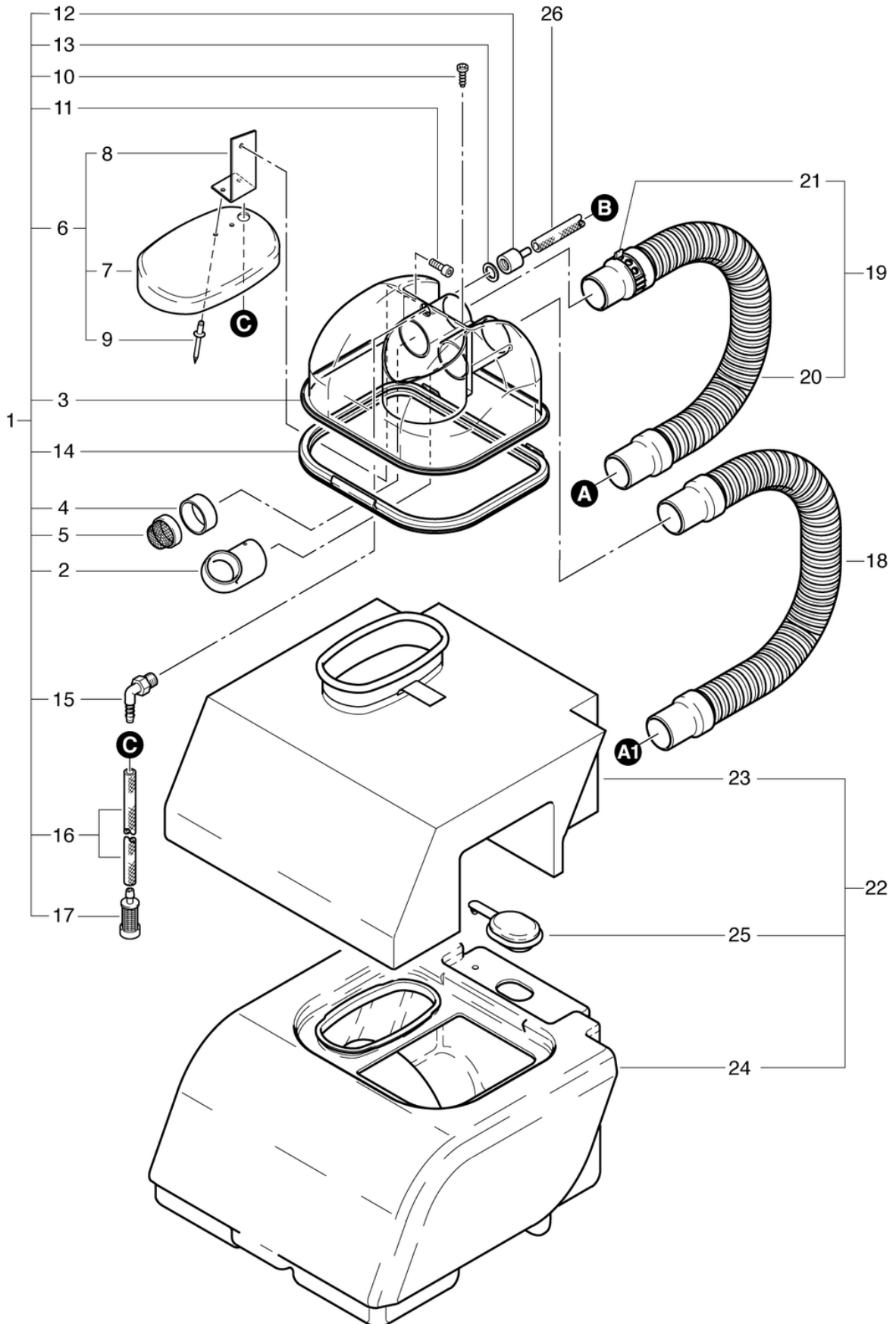
RA300E

Tank cover

PDF created on: 16.07.2024 12:47



RA 300 E



RA300E

Tank cover

PDF created on: 16.07.2024 12:47

Pos.	Item no.	Spare part
1	300.700	Hood RA300 / TW383 cpl.
2	380.552	Bent Tube
3	380.510	Tank cover
4	380.556	Bush to sieve
5	400.766A	Air filter cpl. rustproof black
6	300.580	Tank Cover TW383
7	300.584	Fresh Water Tank
8	300.585	Holder angle
9	P485Y	Rivet Pop IMEX 4,0 x 9,5 Alu/St
10	P515Y	Screw WN 1452 K30 x 6
11	P487Y	Screw DIN 912 M3 x 10
12	380.555	Fitting
13	030.015	Seal 20 x 13 x 2mm
14	380.554	Seal For Cover
15	P541I	Elbow nipple WES 6 / R1 / 4
16	300.703	Hose ø 12 / 6 x 0.25 m
17	P528	Fresh water filter processed
18	300.743	Suction hose suction nozzle 0.57m
19	300.741	Suction hose suction motor cpl. 0.475m
20	380.743	Suction hose suction motor 475mm
21	380.745	Air Control Slide
22	300.550	Tank Complete
23	300.722	Fresh Water Tank
24	300.560	Tank red
25	300.731	Cover For Handle
26	300.072	Suction hose ø 6 / 12 x 0.5m USA

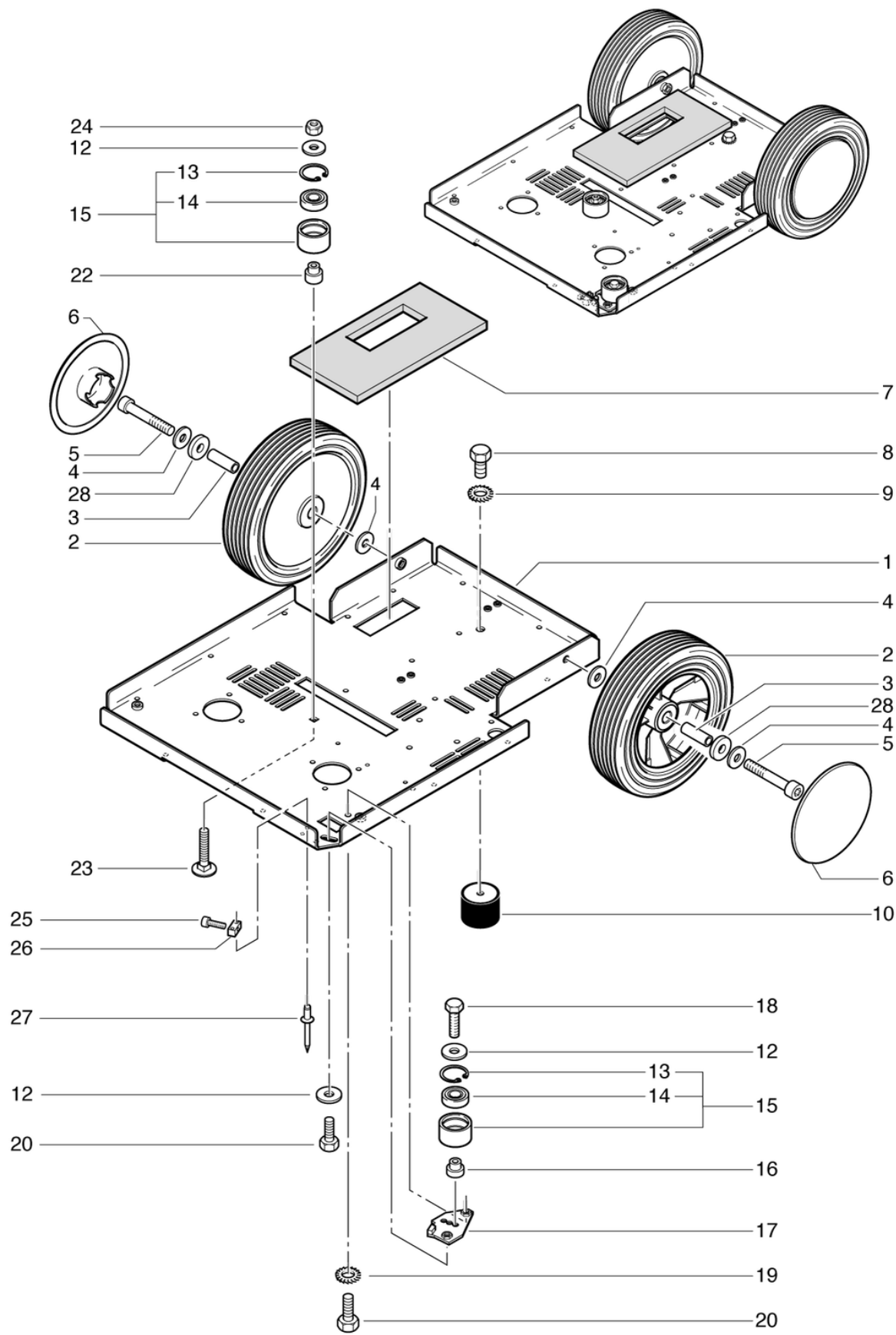
RA300E

Wheel

PDF created on: 16.07.2024 12:47



RA 300 E



RA300E

Wheel

PDF created on: 16.07.2024 12:47

Pos.	Item no.	Spare part
1	300.111	Bottom Plate
2	380.135	Wheel TW383
3	380.137	Distance ring \varnothing 12 / 8,1 x 35,5
4	P496Q	Shim DIN 9021 M8 8,4/24/2
5	P487FA	Screw DIN 912 M8 x 60 with shaft
6	300.242	Hubcap 180-88 / 150-94 red
7	300.065	Isolation
8	P471B	Screw DIN 933 M8 x 10
9	P498G	Shim DIN 6798 M8 8,4/15/0,8
10	300.118	Round buffer M8 female thread, \varnothing 40 x 30, M8 female thread
12	P496L	Shim DIN 9021 M6 6,4/18/1,6
13	P499G	Ring DIN 472 28/1,2
14	P316C	Deep groove ball bearing 6001 2RS \varnothing 28 / 12 x 8
15	300.375	Idler Pulley Complete
16	300.377	Bearing pin d18 / 12 x 14.75
17	300.161	Plate
18	P472T	Screw DIN 933 M6 x 20 A2
19	P499D	Shim DIN 6798 M6 6,4/11/0,7 A2
20	P472R	Screw DIN 933 M6 x 12 A2
22	300.388	Bearing pin d18 x 17.8
23	P481P	Screw DIN 7985 M4 x 8
24	P493K	Nut DIN 985 M6
25	P486F	Screw DIN 912 M4 x 14
26	300.387	holder for pulley 818 x 18mm
27	P485B	Rivet 3,2 x 15,9 A2/A2
28	300.243	Bush Wheel \varnothing 32/8 x 14

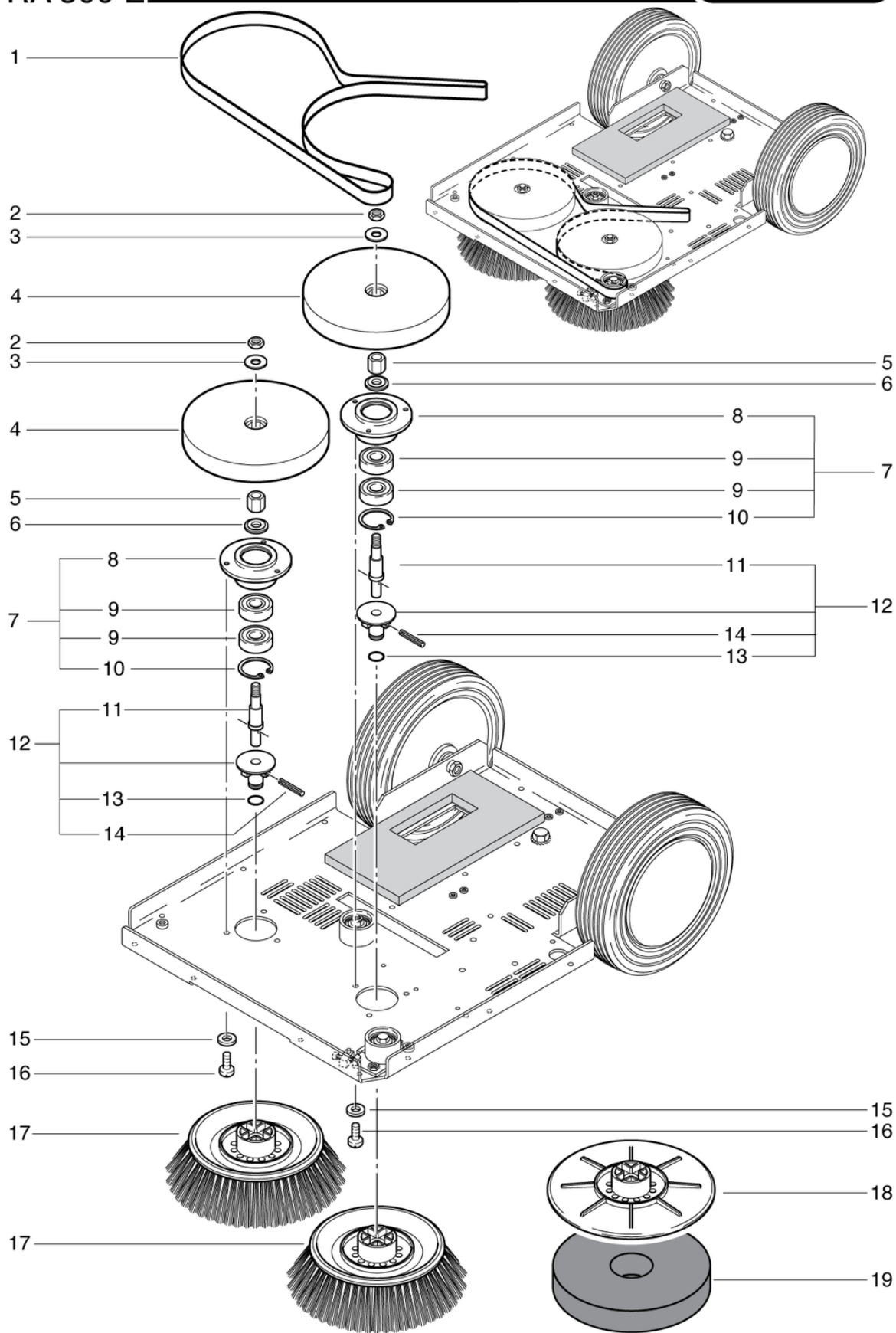
RA300E

Brush

PDF created on: 16.07.2024 12:47



RA 300 E



RA300E

Brush

PDF created on: 16.07.2024 12:47

Pos.	Item no.	Spare part
1	300.121	Flat belt Esband NE10
2	P490E	Nut DIN 934 M8
3	P497T	Shim DIN 9021 M8 8,4/24/2 A2
4	300.362	Wheel
5	300.369	Wheel socket SW14 x 12.4
6	300.352	Disc 22 / 2.5 Ms
7	300.365	Bearing Housing cpl.
8	300.366	Bearing housing
9	P316D	Deep groove ball bearing 6201 2RSR ø32 / 12 x 10
10	P514K	Ring DIN 472 32/1,2
11	300.116	Axle
12	300.370	Sensor cpl.
13	P960U	Ring DIN 3771 9,19/2,62 NBR
14	P512Y	Pin ISO 8750 4 x 30 A2
15	P496D	Shim DIN 125 A M4 4,3/9/0,8
16	P481P	Screw DIN 7985 M4 x 8
17	320.059	Brush ø 165mm
18	300.070	Drive Disc 165 mm
19	300.010	Pad red - dm 16.5cm (Optional accessories)
19	300.020	Pad brown - 16.5cm (Optional accessories)

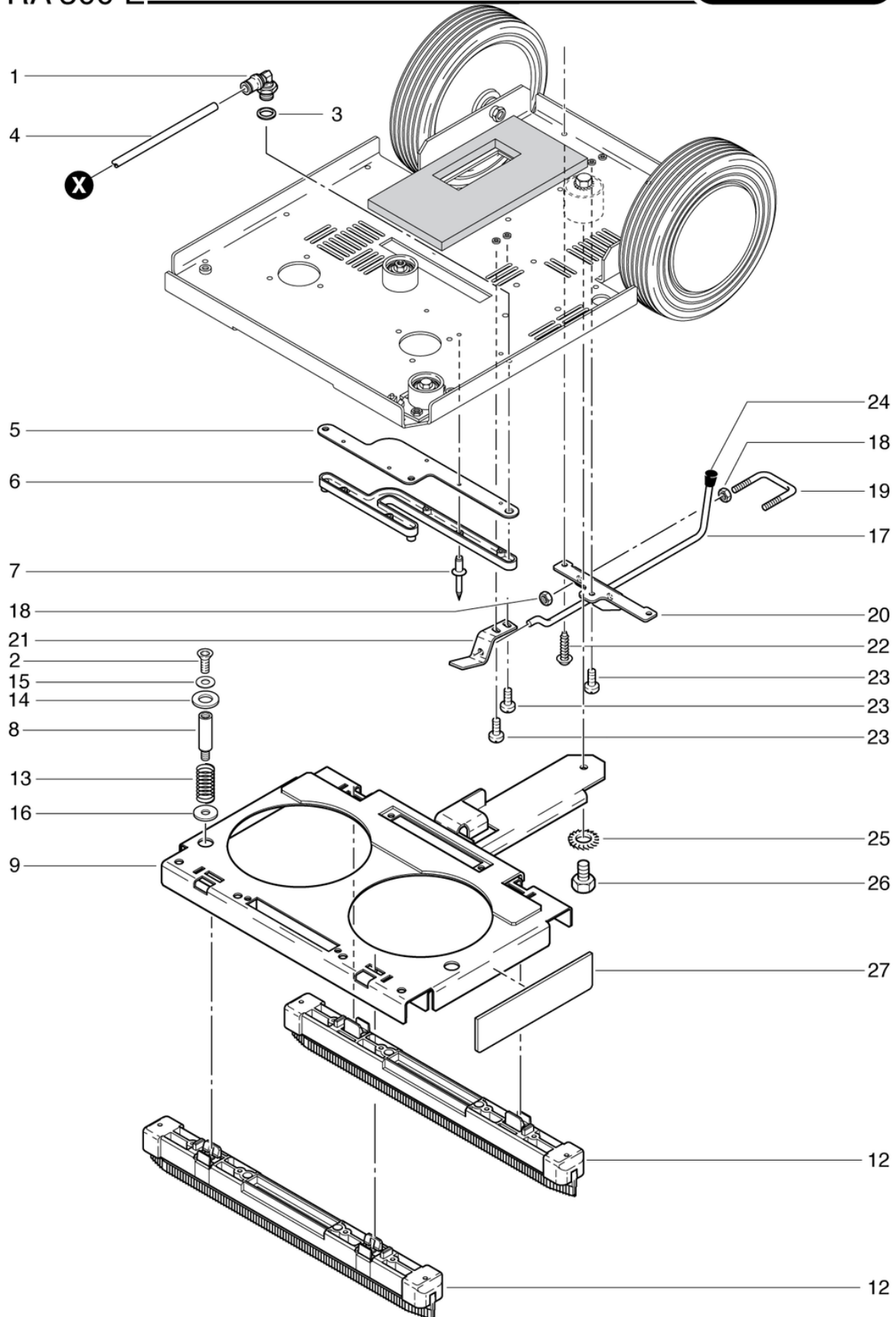
RA300E

Front suction nozzle

PDF created on: 16.07.2024 12:47



RA 300 E



RA300E

Front suction nozzle

PDF created on: 16.07.2024 12:47

Pos.	Item no.	Spare part
1	P533H	Angled connector
2	P487W	Screw DIN 7991 M6 x 16 A2
3	P533I	Sealing ring 8 x 5,1 x 1,3
4	300.165	Connection hose \varnothing 6 / 4 x 0.66m
5	300.081	Water Canal Isolation
6	300.022	Water Canal
7	P485B	Rivet 3,2 x 15,9 A2/A2
8	300.053	Guide Sleeve
9	300.405	Suction nozzle holder cpl.
12	300.420	Vacuum Nozzle Complete
13	700.171	Compression Spring
14	P496T	Shim DIN 125 A M10 10,5/20/2
15	P497W	Shim SN 212745 M6 6,4/14/0,8
16	P496L	Shim DIN 9021 M6 6,4/18/1,6
17	300.416	Lifting bar
18	P490D	Nut DIN 934 M6
19	300.411	Protection of lever
20	300.413	Rear guiding holder for lever
21	301.415	Front guiding holder for lever
22	P516C	Screw WN 1452 K40 x 16
23	P481P	Screw DIN 7985 M4 x 8
24	P170K	Cap black
25	P498G	Shim DIN 6798 M8 8,4/15/0,8
26	P471B	Screw DIN 933 M8 x 10
27	300.312	Splash Protection

RA300E

Suction motor

PDF created on: 16.07.2024 12:47

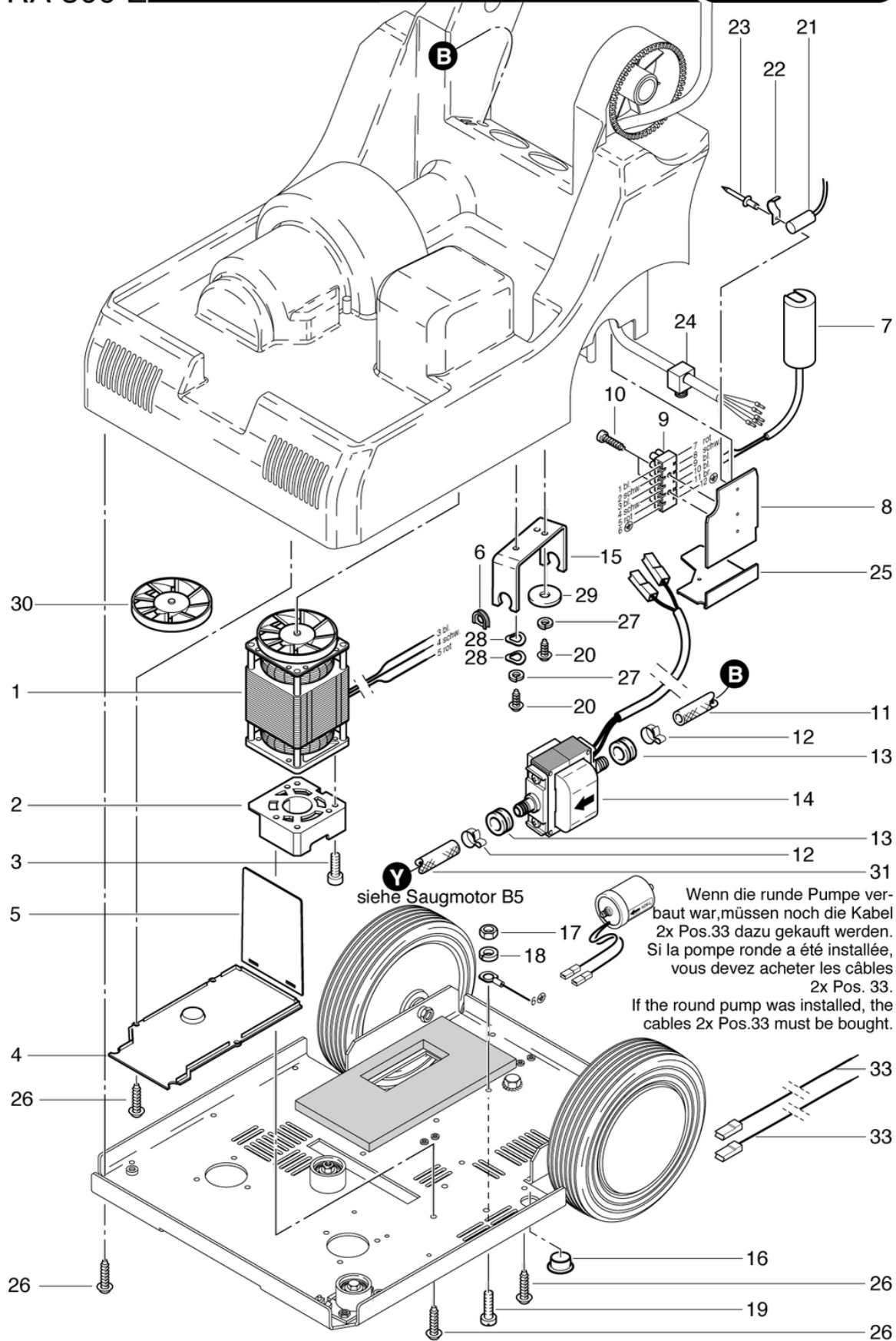
Pos.	Item no.	Spare part
1	300.051	Chassis cover
2	P870C	Suction motor Ametek 230V/50Hz - 800W
3	P870KB	Carbon brushes (pair) OEP
4	P971C	Turbine seal black
5	380.019	Sealing ring \varnothing 80 / 41 x 13.5
6	380.021	Hose Connection Cap
7	P483H	Screw DIN 7981 C 2,9 x 6,5 A2
8	380.017	Fan cover
9	P515Z	Screw WN 1452 K50 x 16
10	P516C	Screw WN 1452 K40 x 16
11	380.022	Ventilation cover blower box
12	300.410	Air Canal Complete
13	380.045	Coupling G 1/4
14	P098	Clamping shim \varnothing 35mm
15	P496A	Washer DIN 522 M12 13/30/1,6
16	P521E	Reducer
17	P541R	Elbow nipple WES 6 / R1 / 8
18	030.020	Hose \varnothing 6 / 12 x 0.36m
20	300.088	Connection Nipple
21	P550A	Hose clamp 14.5-706R
22	300.172	Connection hose \varnothing 12 / 6 x 0.24m
24	P535B	Nut 3/8 Ms
25	P533C	Angled connector
26	300.165	Connection hose \varnothing 6 / 4 x 0.66m
27	300.085	Nipple with cover
28	P550I	Hose clamp 13.3-706R

RA300E

Pump assembling

PDF created on: 16.07.2024 12:47

RA 300 E



RA300E

Pump assembling

PDF created on: 16.07.2024 12:47

Pos.	Item no.	Spare part
1	300.281	Brush Motor 230V / 50Hz
2	300.357	Motor flange
3	P516G	Screw WN 1451 K40 x 16
4	300.058	Air Canal Cover
5	300.061	Air Canal Plate
6	P014A	Spout 14 x 16mm
7	P385I	Capacitor 5uF, 450VAC
8	380.047	Plate for electrical terminals
9	P383C	Screw terminal with DS 6-pol. 2.5mm ²
10	P516S	Screw WN 1452 K30 x 14
11	030.021	Hose ø 6 / 12 x 0.44m
12	P550A	Hose clamp 14.5-706R
13	P207A	Grommet
14	P809	NDS-X Pump 220-240V/50Hz
15	P207B	Pump holder
16	P171C	3mm
17	P491Q	Nut DIN 934 M4 brass
18	P498A	Ring DIN 127 B M4 4,1/7,6/0,9 CuSn
19	P476L	Screw DIN 85 A M4 x 12 Ms
20	P515Y	Screw WN 1452 K30 x 6
21	P387A	Condenser 0,2uF / 250V
22	P109C	Holder for capacitor
23	P485H	Blind rivet flat head ISO 15977 5,0 x 10 Alu / ST
24	380.251	Cable Tightener
25	380.048	Cover for electrical terminals
26	P516C	Screw WN 1452 K40 x 16
28	P497W	Shim SN 212745 M6 6,4/14/0,8
29	P497Y	4/25/1
30	300.281F	Wing wheel
31	030.020	Hose ø 6 / 12 x 0.36m
33	300.630	Black wire 1.5mm ² L = 0.225m

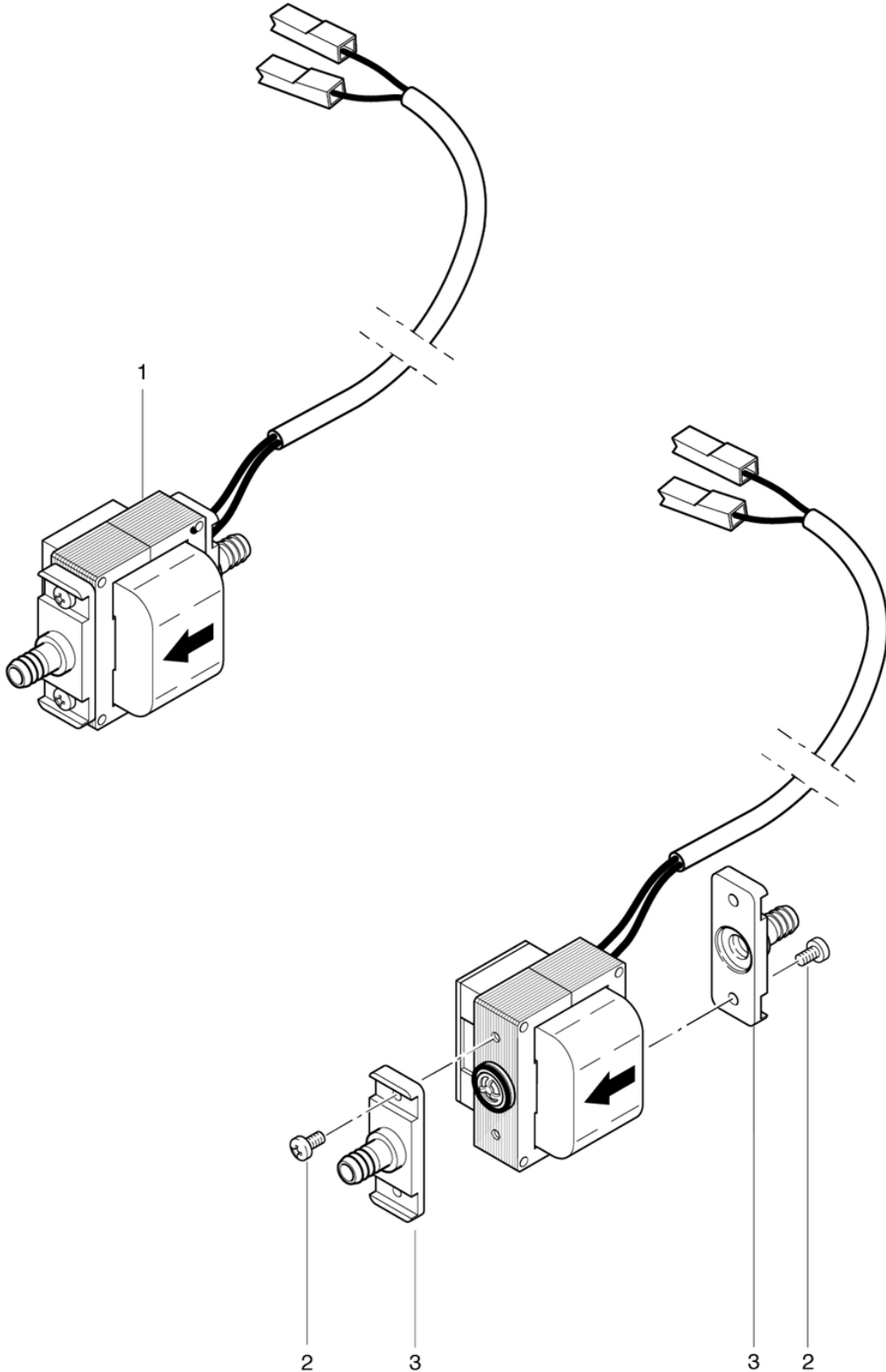
RA300E

Pump

PDF created on: 16.07.2024 12:47



RA 300 E



RA300E

Pump

PDF created on: 16.07.2024 12:47

Pos.	Item no.	Spare part
1	P809	NDS-X Pump 220-240V/50Hz
2	P487W	Screw DIN 7991 M6 x 16 A2
3	P809M	Connecting even

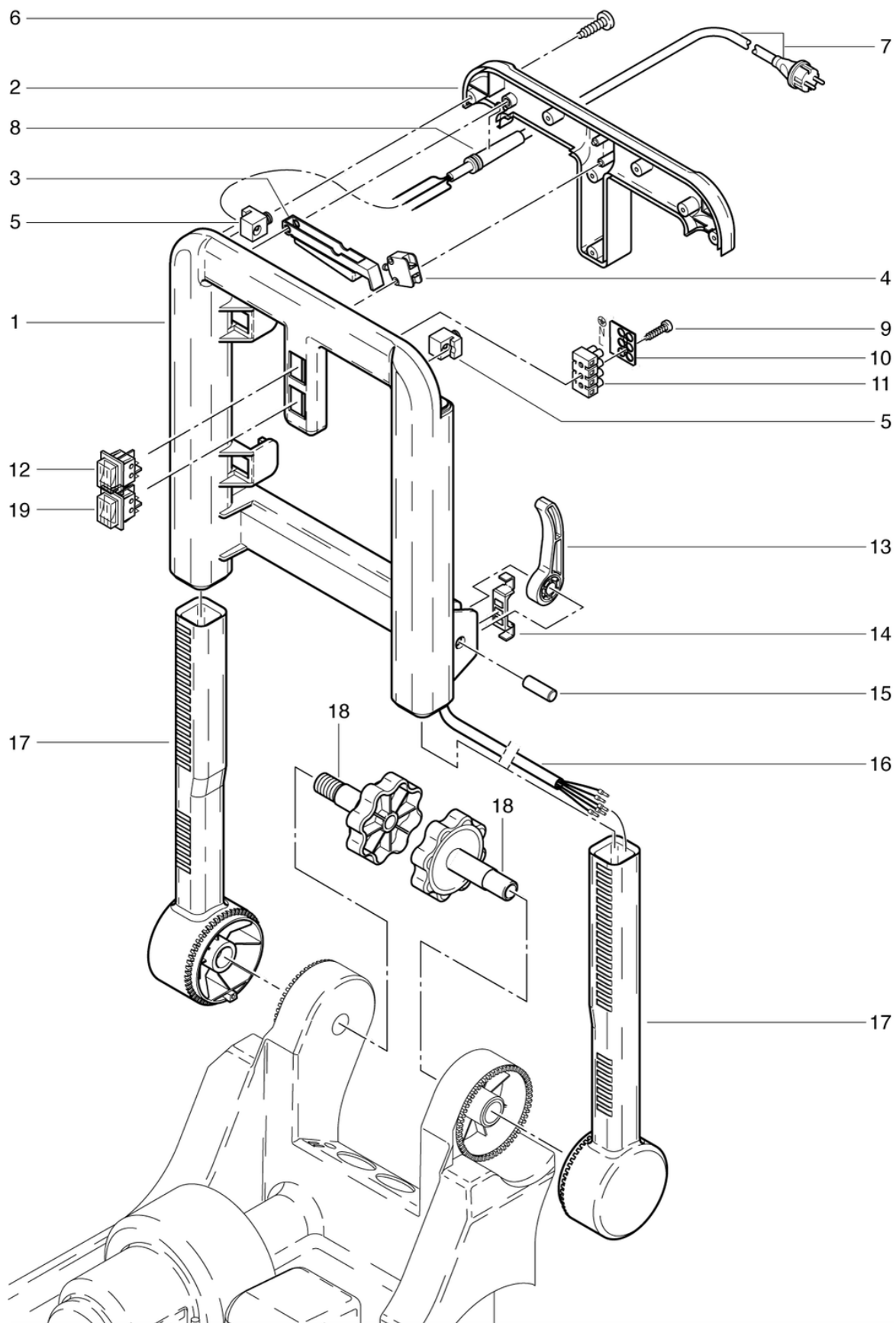
RA300E

Handle housing

PDF created on: 16.07.2024 12:47



RA 300 E



RA300E

Handle housing

PDF created on: 16.07.2024 12:47

Pos.	Item no.	Spare part
1	300.610	Handle Housing
2	300.620	Cover For Handle
3	380.267	Controlling Lever
4	950.453	Switch (TW383 and RA320)
5	380.252	Cable Tightener
6	P516C	Screw WN 1452 K40 x 16
7	P275	Main cable SEV 3 x 1,0mm ² , 7,50m, schwarz
8	P280	Cable grommet
9	P516S	Screw WN 1452 K30 x 14
10	P394	Marking plate 500 BZ 3 L,N,PE
11	P383B	Terminal block with DS, 4-pin. 2.5mm ²
12	P240	Rocker switch orange 230V
13	380.262	Fixing Lever
14	380.259	Fixing Plate
15	380.265	Pin
16	300.315	Spiral cable 5-pin. LIYY 5 x 0.75mm ²
17	300.615	Lower Lever
18	380.276	Star Handle
19	P240H	Rocker switch LED rocker switch 3-way

RA300E

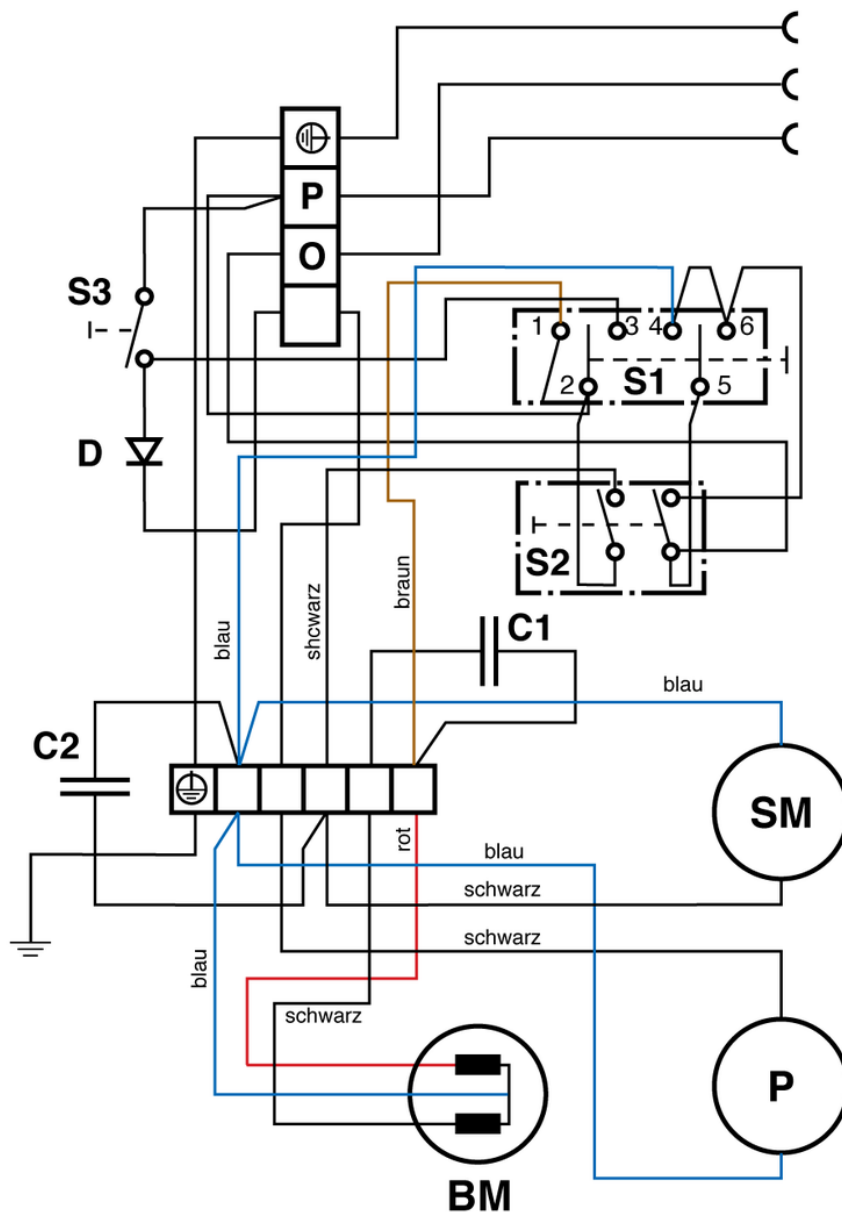
Wiring diagram

PDF created on: 16.07.2024 12:47



RA 300 E

Stromlaufplan RA 300 E



- S1 = Wippenschalter Bürstmotor-Pumpe
- S2 = Wippenschalter Saugmotor
- S3 = Tastschalter Pumpe
- C1 = Betriebskondensator
- C2 = Entstörkondensator
- D = Diode
- BM = Bürstmotor
- P = Pumpe
- SM = Saugmotor