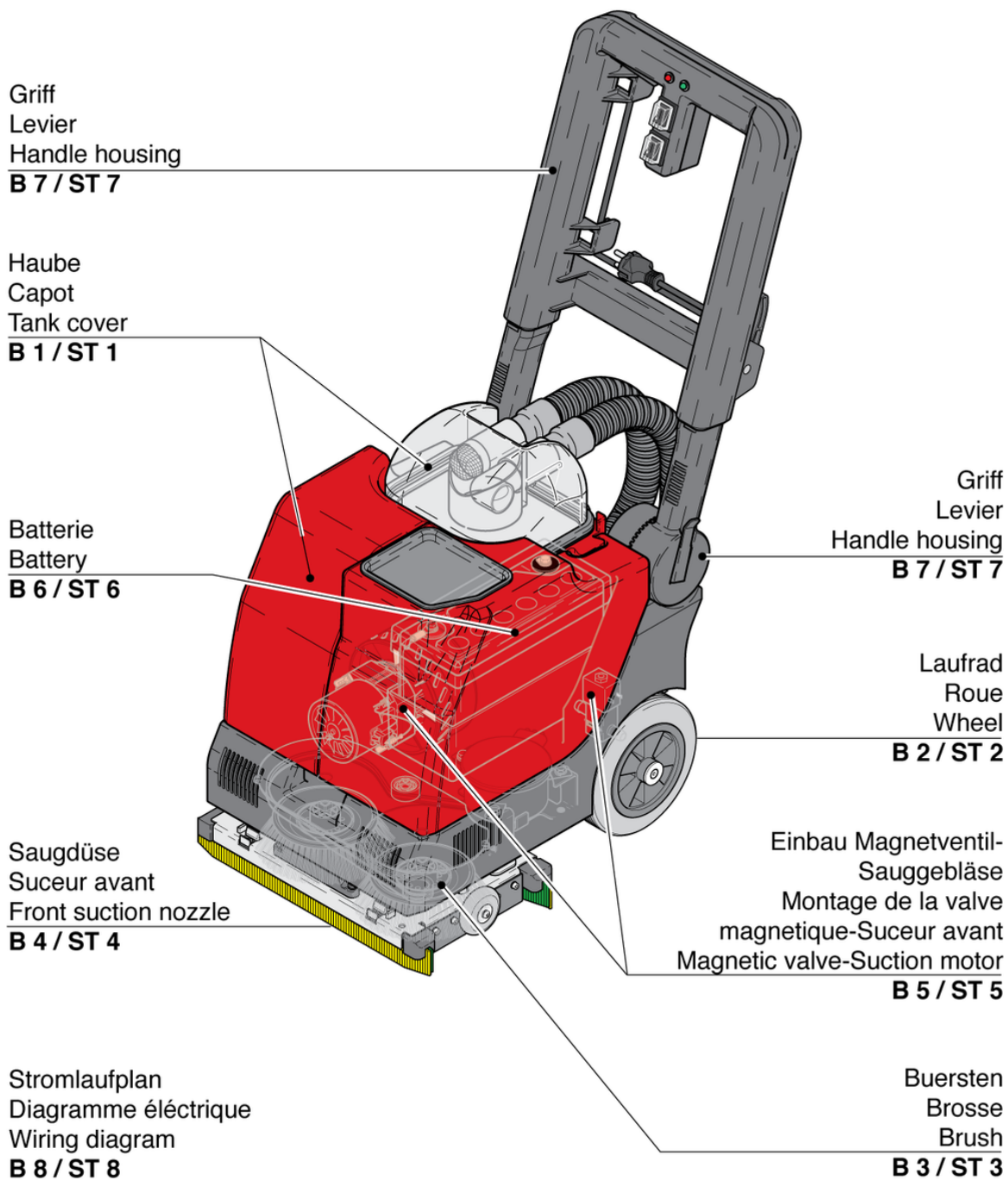


# RA320 IBC

## Table contents

PDF created on: 15.08.2024 00:27

RA 320 IBC

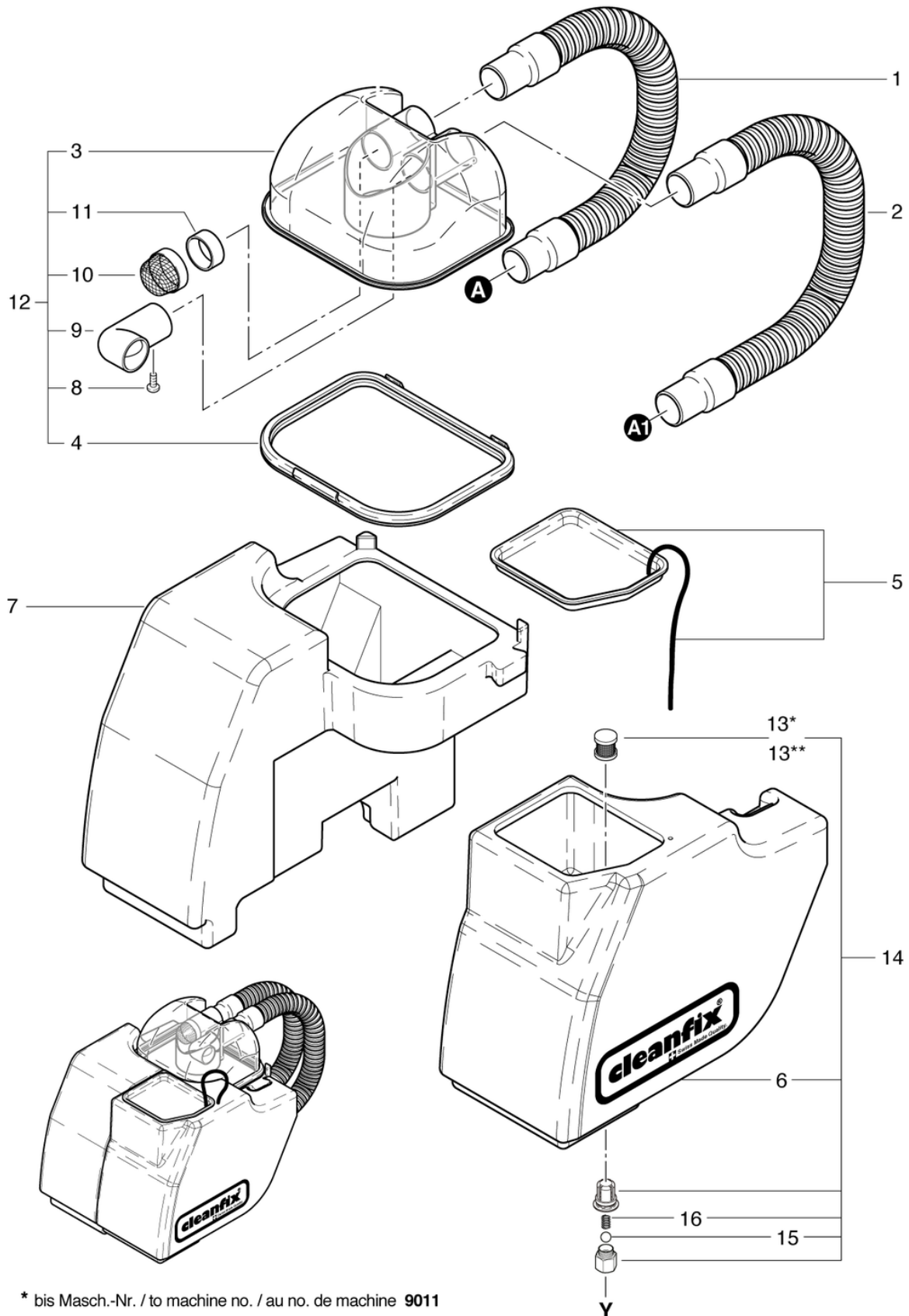


# RA320 IBC

## Tank cover

PDF created on: 15.08.2024 00:27

RA 320 IBC



\* bis Masch.-Nr. / to machine no. / au no. de machine 9011

\*\* ab Masch.-Nr. / from machine no. / de no. de la machine 9012.001

# RA320 IBC

## Tank cover

PDF created on: 15.08.2024 00:27

Pos.	Item no.	Spare part
1	320.741	Suction hose suction motor 0.6782m
2	320.743	Suction hose suction nozzle 0.64m
3	320.513	Cover finish-worked
4	380.554	Seal For Cover
5	320.387	Covering cpl.
6	320.340	Clean Water Tank
7	320.270	Waste Water Tank
8	P515Y	Screw WN 1452 K30 x 6
9	380.552	Bent Tube
10	400.766A	Air filter cpl. rustproof black
11	380.556	Bush to sieve
12	320.700	Housing cpl.
13	320.345	Filter screen compl.
13	320.351	Fresh water filter cpl.
14	320.341	fresh water tank red compl.
15	320.307	Valve ball 15mm
16	320.308	Compression spring VD-155G 1 / 10.3 / 22

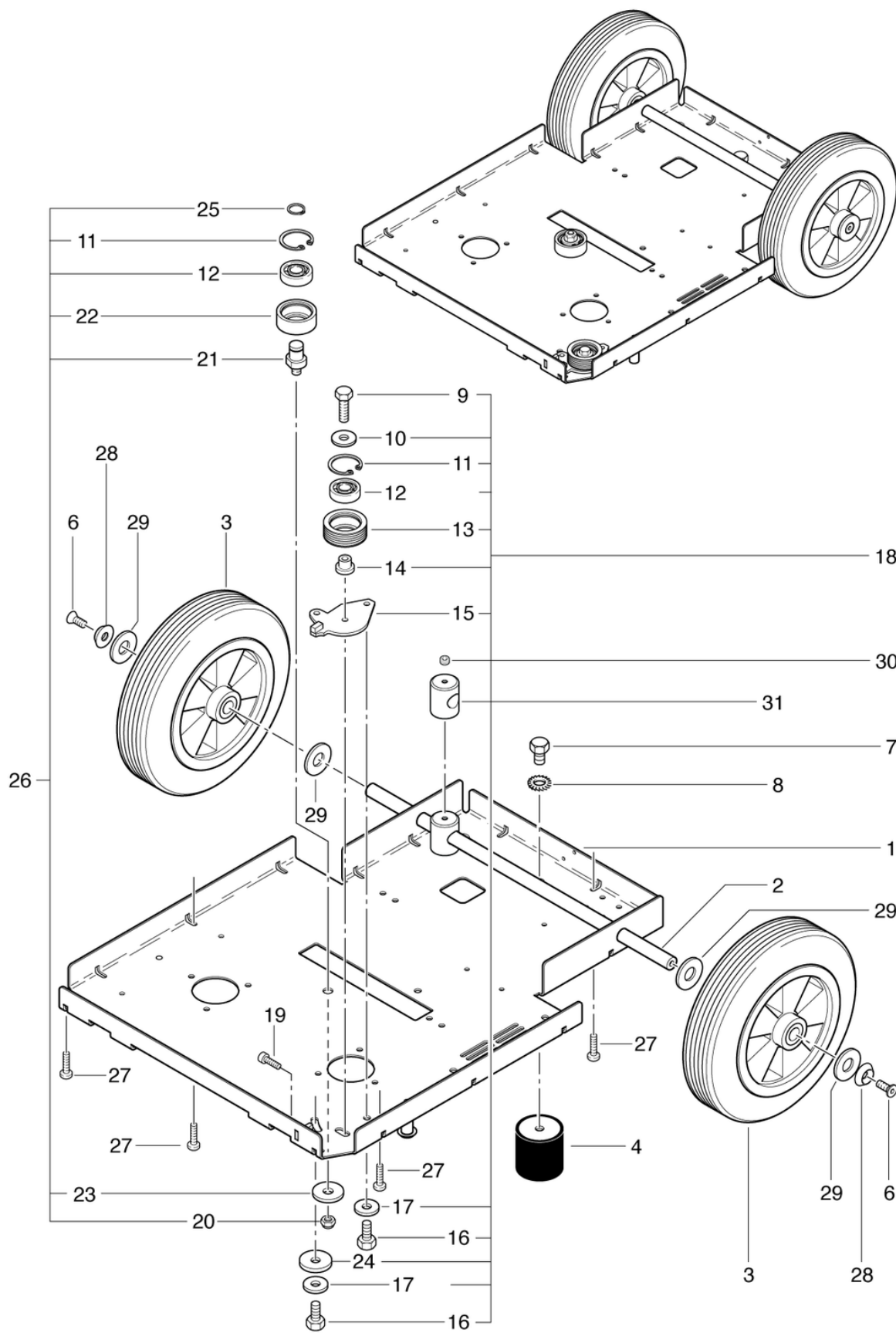
# RA320 IBC

## Wheel

PDF created on: 15.08.2024 00:27



RA 320 IBC



# RA320 IBC

## Wheel

PDF created on: 15.08.2024 00:27

Pos.	Item no.	Spare part
1	320.111	Bottom Plate
2	330.245	Wheel axle
3	320.244	Wheel cpl.
4	320.118	Round Buffer 40x40mm
6	P487U	Screw DIN 7991 M6 x 12
7	P471B	Screw DIN 933 M8 x 10
8	P498G	Shim DIN 6798 M8 8,4/15/0,8
9	P470X	Screw DIN 933 M6 x 20
10	P496L	Shim DIN 9021 M6 6,4/18/1,6
11	P499GA	Ring DIN 472 26/1,2
12	P315K	Deep groove ball bearing 6000 2RS ø26 / 10 x 8
13	320.378	Pulley
14	320.162	Axle
15	320.161	Bottom Plate
16	P471Z	Screw DIN 933 M6 x 10 A2
17	P497H	Washer DIN 9021 M6 6,4/18/1,6 A2
18	320.375	Tension Pulley
19	P486F	Screw DIN 912 M4 x 14
20	P490E	Nut DIN 934 M8
21	320.134	Axle
22	320.132	Guide Pulley
23	P496Q	Shim DIN 9021 M8 8,4/24/2
25	P513C	Ring DIN 471 10/1,0
26	320.385	Pulley cpl.
27	P516C	Screw WN 1452 K40 x 16
28	P500Q	Washer SN 213912 M6 18/4,8
29	P496A	Washer DIN 522 M12 13/30/1,6
30	P482Z	Pin DIN 914 M5 x 5 A2
31	320.219	Axle holder

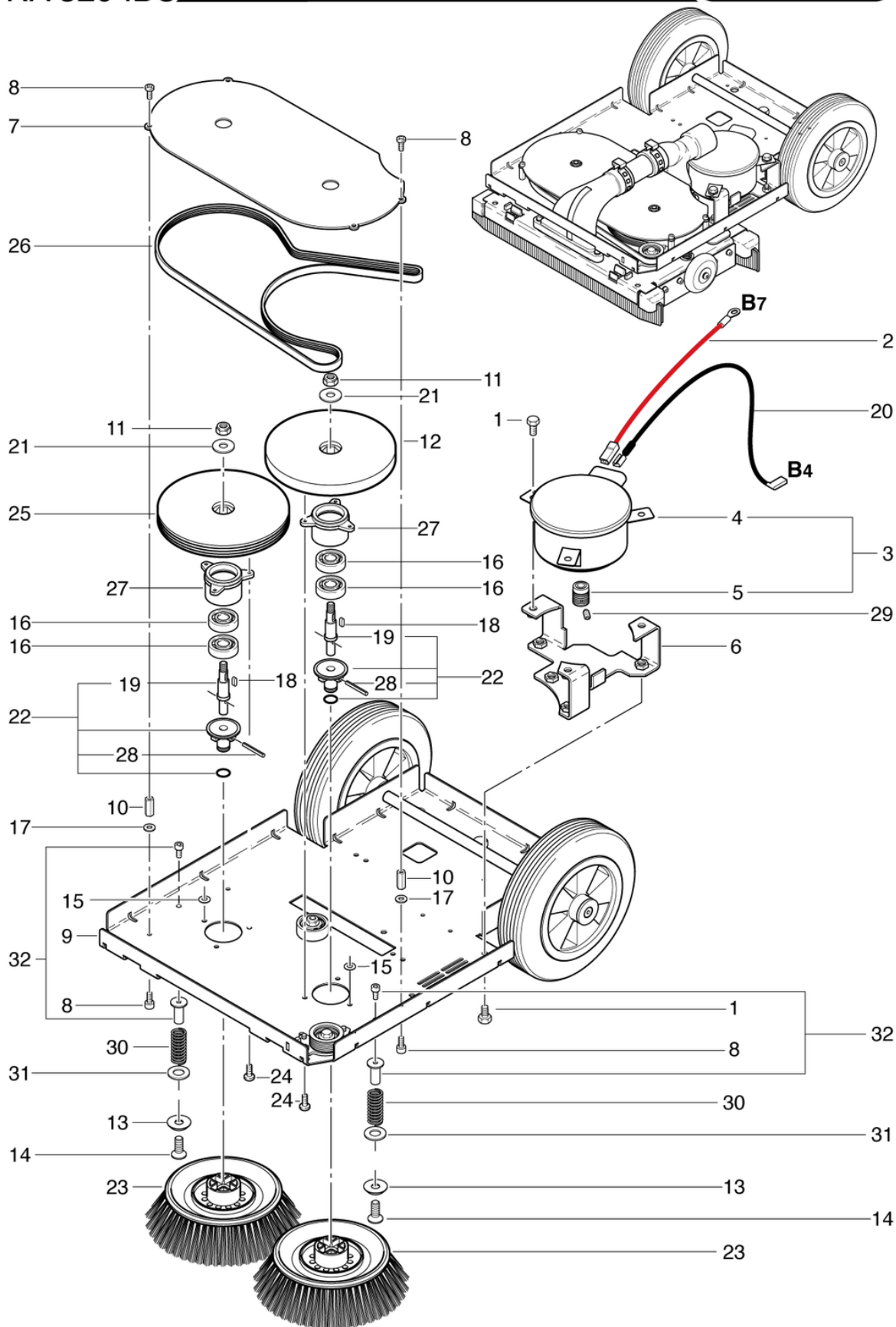
# RA320 IBC

## Brush

PDF created on: 15.08.2024 00:27



### RA 320 IBC



# RA320 IBC

## Brush

PDF created on: 15.08.2024 00:27

Pos.	Item no.	Spare part
1	P471Z	Screw DIN 933 M6 x 10 A2
2	320.319	Wire red brush motor 2,5mm <sup>2</sup> , L=240mm
3	320.120	Brush Motor
4	320.121	DC motor 12V 146W
5	320.123	Pulley drive
6	320.114	Fixation For Pulley
7	320.233	Bottom Plate
8	P481P	Screw DIN 7985 M4 x 8
9	320.111	Bottom Plate
10	P484UC	Distance stops
11	P492H	Nut DIN 985 M8 St galvanized
12	320.155	Plate
13	P500Q	Washer SN 213912 M6 18/4,8
14	P487U	Screw DIN 7991 M6 x 12
15	P500J	Shim DIN 988 4/8/0,3
16	P316D	Deep groove ball bearing 6201 2RSR ø32 / 12 x 10
17	P496D	Shim DIN 125 A M4 4,3/9/0,8
18	P5120A	Wedge DIN 6885 A 4/4/12
19	320.142	Axle
20	320.318	Wire black brush motor 2,5mm <sup>2</sup> , L=400 mm
21	P496Q	Shim DIN 9021 M8 8,4/24/2
22	300.368	Centre Pin
23	320.059	Brush ø 165mm
25	320.151	Flywheel
26	320.125	Poly v belt 1092
27	320.141	Bearing Flange
28	P512Y	Pin ISO 8750 4 x 30 A2
29	P482Y	Pin DIN 916 M3 x 4 A2
30	P511G	Compression spring VD-207J-34 1,5 / 14/35
31	P496T	Shim DIN 125 A M10 10,5/20/2
32	320.127	Distance ring cpl.

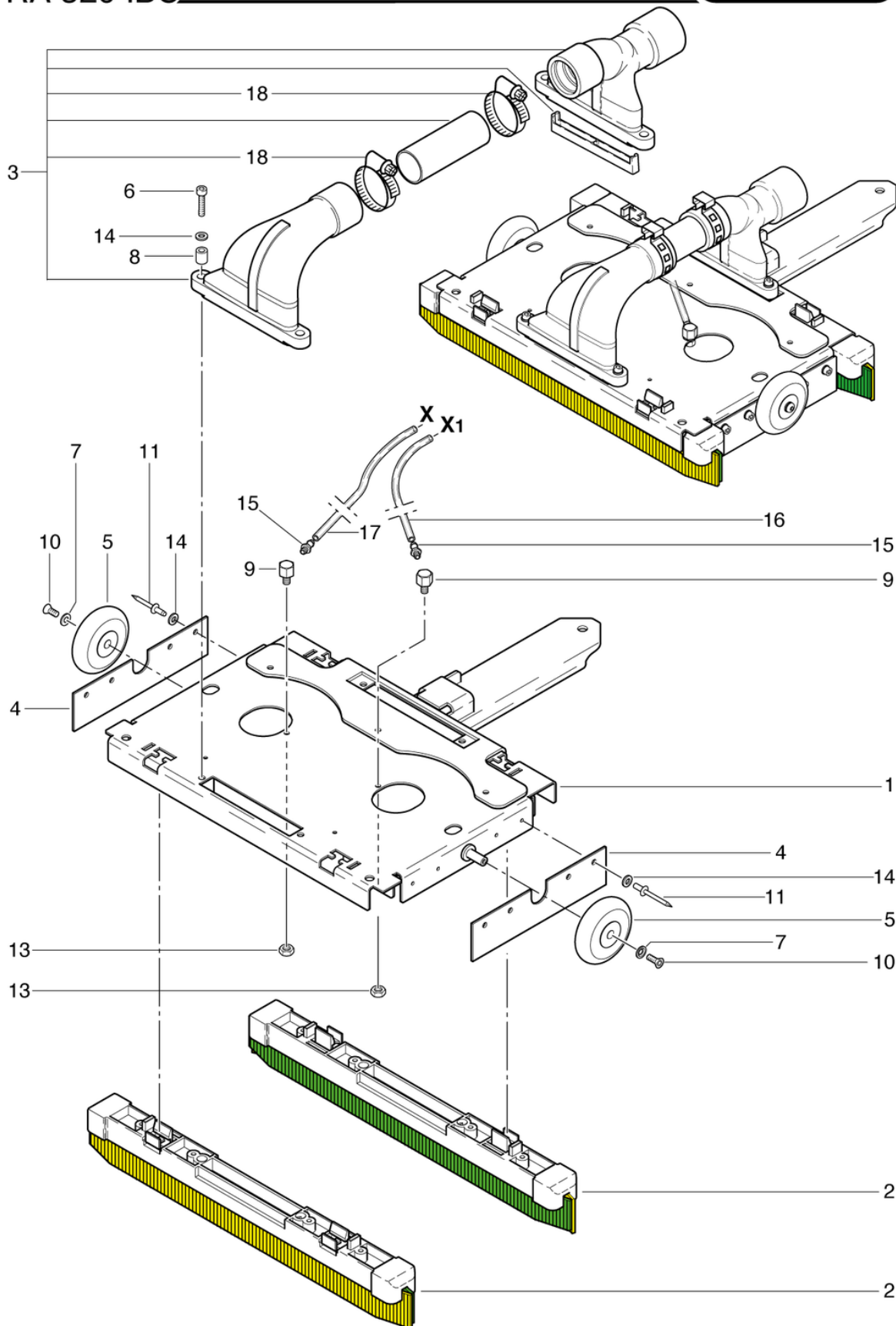
# RA320 IBC

## Front suction nozzle

PDF created on: 15.08.2024 00:27



RA 320 IBC





# RA320 IBC

## Front suction nozzle

PDF created on: 15.08.2024 00:27

Pos.	Item no.	Spare part
1	320.204	Suction Nozzle Holder Cpl.
2	320.421	Suction nozzle without sieve
3	320.215	Suction channel cpl.
4	320.312	Spraying Protection
5	P204H	Skater wheel 63mm
6	P488C	Screw DIN 912 M4 x 20 A2
7	P500U	Washer DIN 17670 M5 5,3/16/2,8
8	P509L	Distance sleeve BN 5281 4,2/8/10 PA6.6
9	320.255	Bolting
10	P480U	Screw DIN 7991 M5 x 12
11	P485Y	Rivet Pop IMEX 4,0 x 9,5 Alu/St
13	P491MA	Nut DIN 439 M6 St galvanized
14	P496D	Shim DIN 125 A M4 4,3/9/0,8
15	320.170	Screw in Socket
16	320.254	Spray Hose $\varnothing$ 6 / 4 x 0,41m
17	320.253	Spray Hose $\varnothing$ 6 / 4 x 0,32m
18	P206D	Hose clamp 32-50mm/12

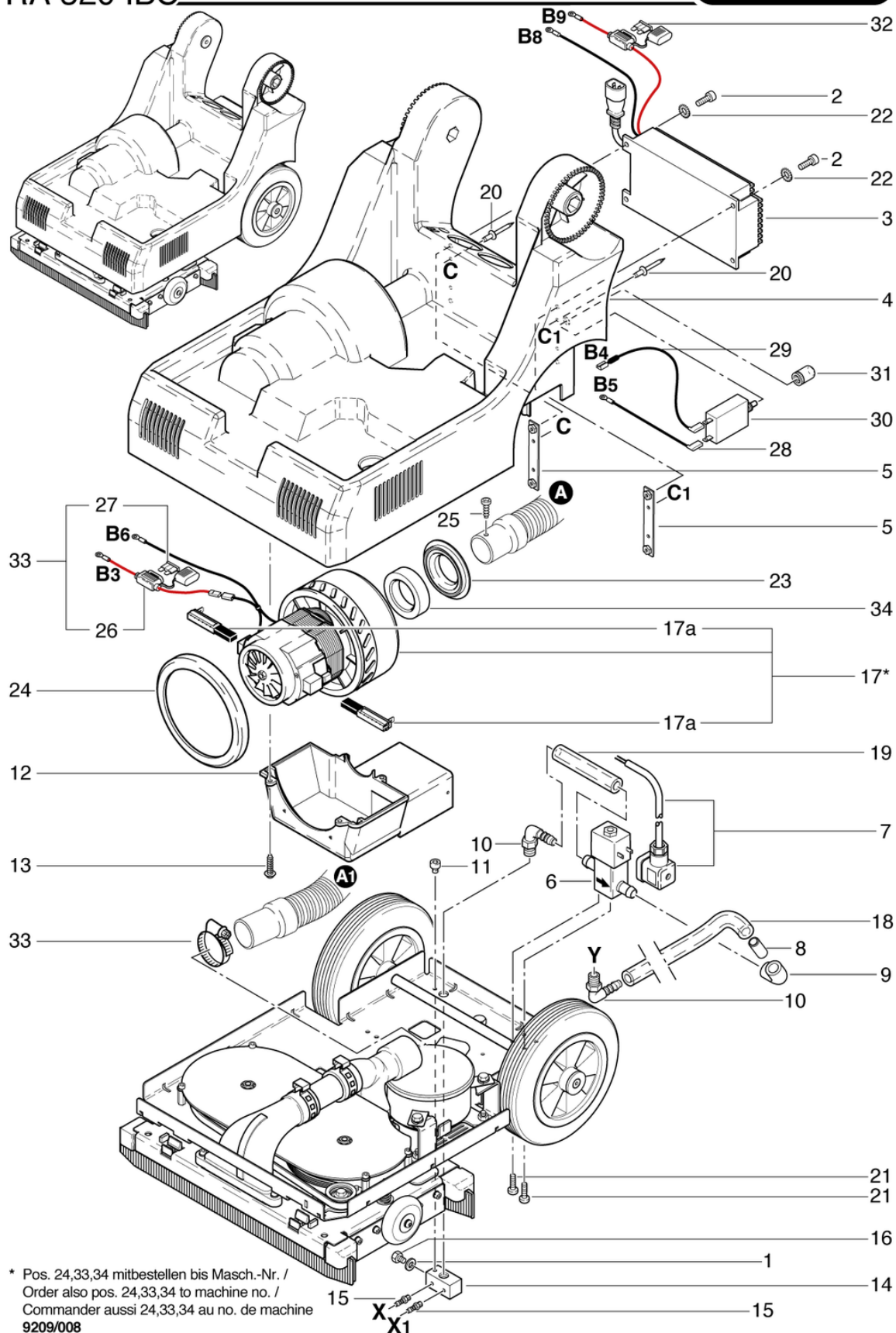
# RA320 IBC

## Magnetic valve-Suction motor

PDF created on: 15.08.2024 00:27



RA 320 IBC



\* Pos. 24,33,34 mitbestellen bis Masch.-Nr. /  
 Order also pos. 24,33,34 to machine no. /  
 Commander aussi 24,33,34 au no. de machine  
 9209/008

# RA320 IBC

## Magnetic valve-Suction motor

PDF created on: 15.08.2024 00:27

Pos.	Item no.	Spare part
1	P497K	Washer DIN 125 A M6 6,4/12/1,6 A2
2	P488F	Screw DIN 912 M5 x 14 A2
3	320.090	Battery charger 12V/17A
4	320.055	Housing
5	320.116	Holder for Battery Charger
6	P265	Magnetic valve 12V
7	320.709	Cable for Magnetic Valve
8	320.145	Adapter Piece
9	432.091	Elbow connector
10	P541J	Elbow nipple WES 10 / R1 / 4
11	P489C	Screw DIN 912 M5 x 6 A2
12	320.164	Cover
13	P516C	Screw WN 1452 K40 x 16
14	320.166	Water Distribution Block
15	320.170	Screw in Socket
16	P472P	Screw DIN 933 M6 x 8 A2
17a	P882KB	Carbon brushes (pair) RA 330
17	P882	Suction motor 12V DC, 175W
18	320.251	Silicone Hose $\varnothing$ 14 / 10 x 0,3m
19	320.252	Silicone Hose $\varnothing$ 14 / 10 x 0.125m
20	P494J	Countersunk blind rivet TLEK 537 S
21	P516G	Screw WN 1451 K40 x 16
22	P499C	Shim DIN 6798 A M5 5,3/10/0,6
23	380.019	Sealing ring $\varnothing$ 80 / 41 x 13.5
24	330.057	Seal
25	P484N	Screw DIN 7981 C 3,5 x 9,5
26	320.314	Fuse carrier
27	P362A	securing
28	320.317	Wire black brush motor 2,5mm <sup>2</sup> , L=240 mm
29	320.318	Wire black brush motor 2,5mm <sup>2</sup> , L=400 mm
30	500.958	Motor Trip Switch 20a
31	500.958A	Protection cap 3/8"
32	P348	securing
33	330.371	Fuse Connector
34	330.056	Connector



# RA320 IBC

## Battery

PDF created on: 15.08.2024 00:27

Pos.	Item no.	Spare part
1	320.265	Battery Covering
2	320.091	Battery
3	P484WA	Rivets 4.8 x 13.5 Alu/Alu
4	P485PA	Rivets 4,8 x 13 Alu/St
5	320.261	Battery Container
6	P515W	Screw WN 1451 K40 x 8
7	395.371	Electronics incl. housing
8	P470R	Screw DIN 933 M6 x 12
9	P498U	Ring DIN 127 B M6 6,1/11,8/1,6 A2
10	P497K	Washer DIN 125 A M6 6,4/12/1,6 A2
11	320.112	Cable battery connecting wire 6mm2 red / black
12	320.113	Cable battery housing 6mm2 red / black
13	P481A	Screw DIN 963 M4 x 20 Ms
14	320.268	Gain sheet
15	P541J	Elbow nipple WES 10 / R1 / 4
16	320.243	Ventil
17	P496G	Shim DIN 9021 M5 5,3/15/1,2
18	P960P	O-Ring 16/2 NBR 70 Sh A
19	P218A	Fuse T1A 5 x 20mm
20	320.247	Valve cpl.
21	P358D	Handgrip red

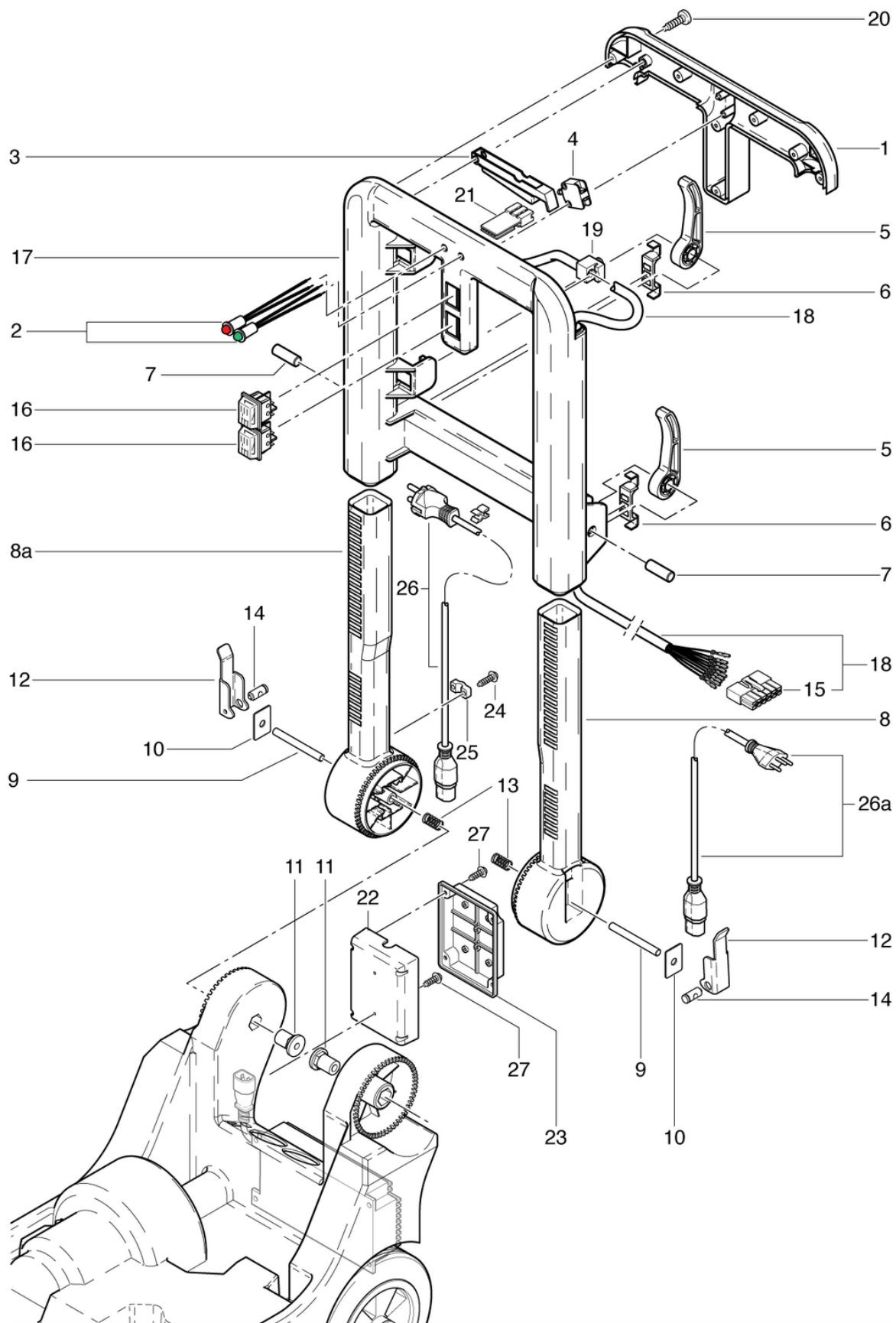
# RA320 IBC

## Handle housing

PDF created on: 15.08.2024 00:27



RA 320 IBC



# RA320 IBC

## Handle housing

PDF created on: 15.08.2024 00:27

Pos.	Item no.	Spare part
1	300.620	Cover For Handle
2	P415	Set LED red, green 2.1 V, Ø 5 mm
3	380.267	Controlling Lever
4	950.453	Switch (TW383 and RA320)
5	380.262	Fixing Lever
6	380.259	Fixing Plate
7	380.265	Pin
8a	320.616	Lower Handle
8	320.615	Lower Lever
9	320.361	Threaded bolt
10	320.235	Support
11	320.282	Bolt
12	320.262	Switch
13	320.263	Spring
14	320.362	Axle
15	P411	Minifit 12 pol.
16	P231	Rocker switch white 12V
17	320.610	Handle Housing
18	320.315	Cable
19	380.252	Cable Tightener
20	P516C	Screw WN 1452 K40 x 16
21	P419	
22	320.320	Box
23	P379A	Terminal box cover
24	P516G	Screw WN 1451 K40 x 16
25	4611085	Cable Clamp
26a	436.791	Cable SEV 3 x 1,00mm <sup>2</sup> , black, 2.50m
26	436.790	Main cable VDE 3 x 1.00mm <sup>2</sup> , black
27	P516A	Screw WN 1452 K30 x 10 A2

