

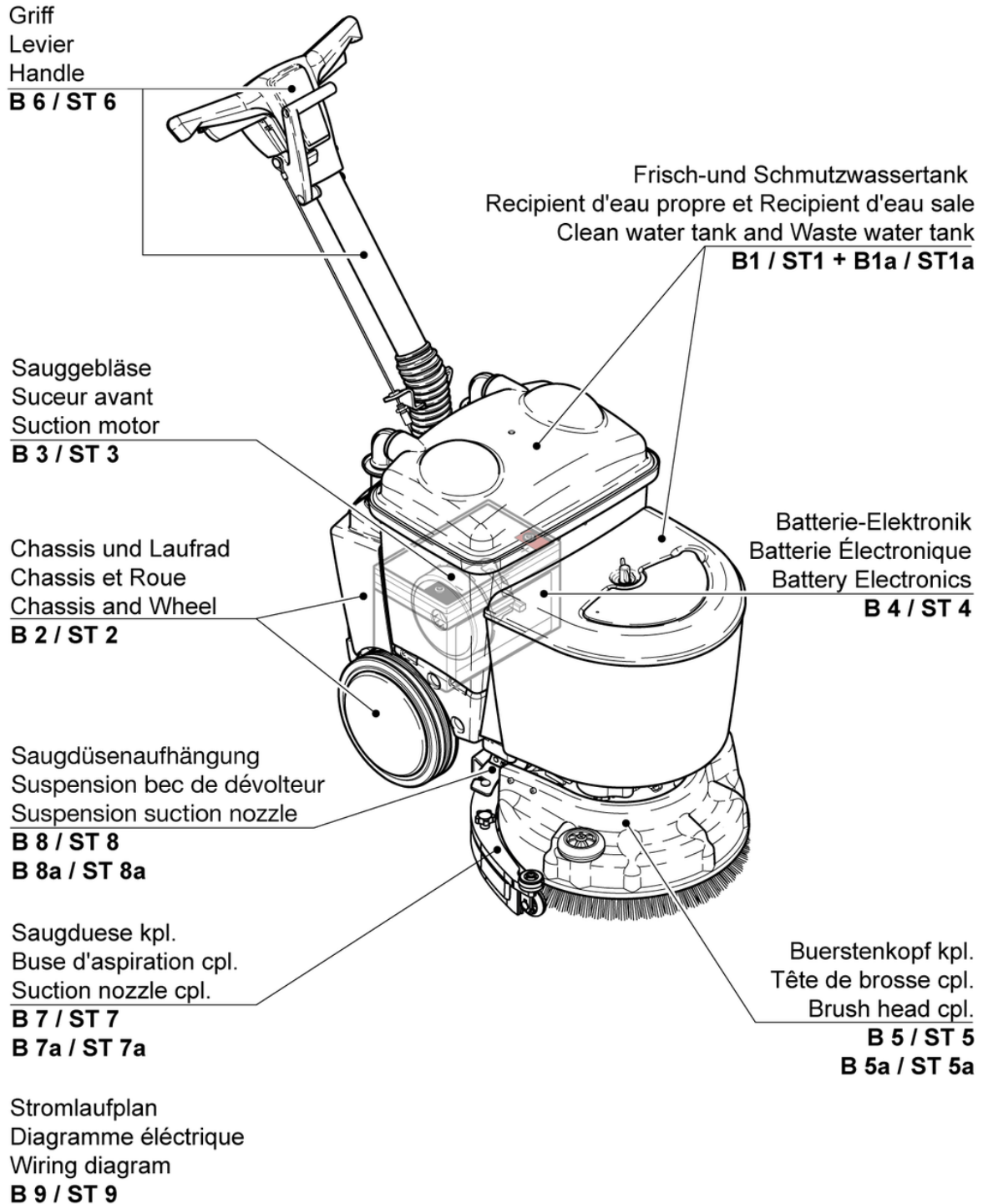
# CLEANFIX RA395 IBC

## Contents

PDF created on: 27.07.2024 19:17



RA 395 IBC



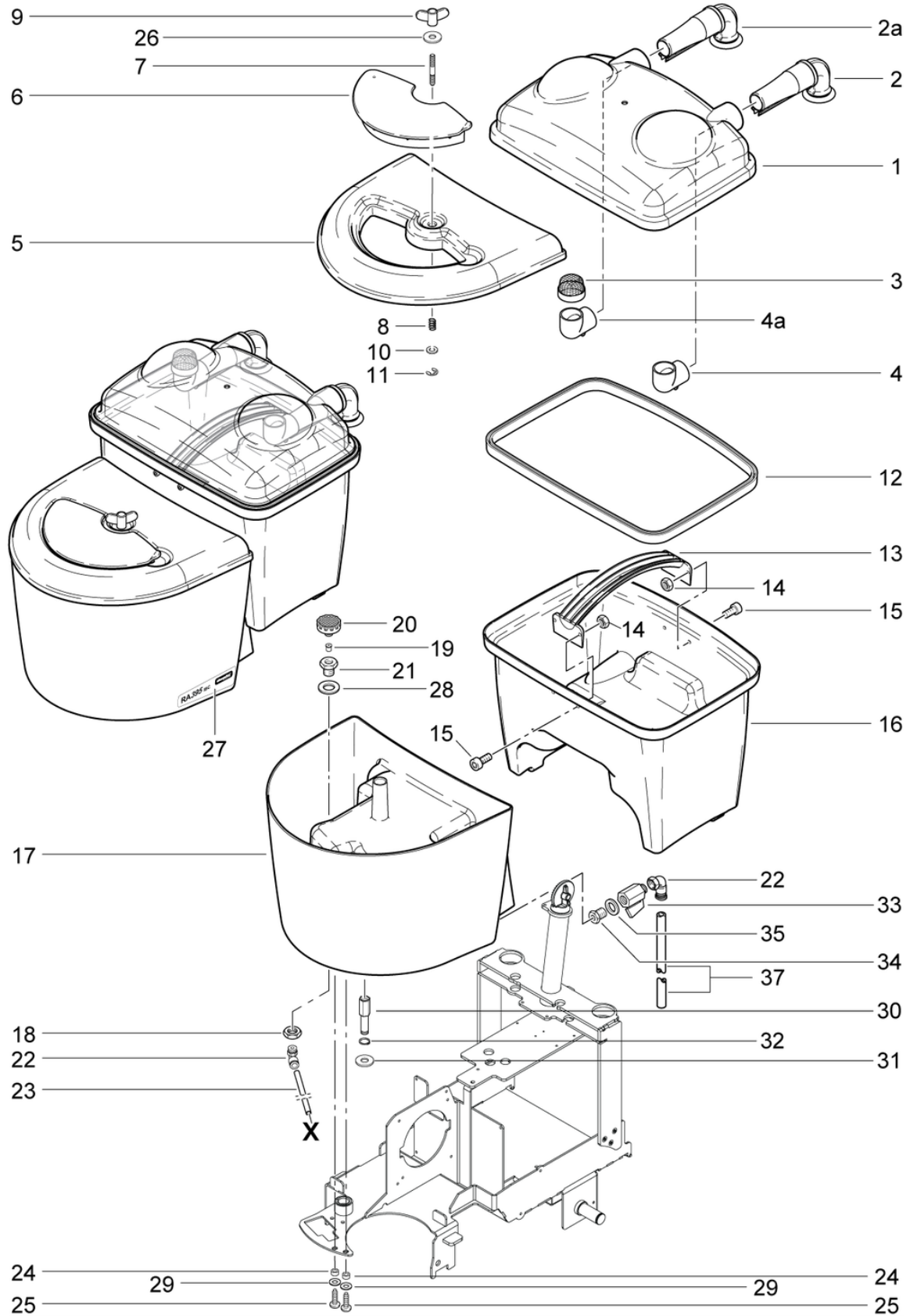
# CLEANFIX RA395 IBC

## Clean water tank and Waste water tank

PDF created on: 27.07.2024 19:17



RA 395 IBC



# **CLEANFIX RA395 IBC**

**Clean water tank and Waste water tank**

| <b>Pos.</b> | <b>Item no.</b> | <b>Spare part</b>                           |
|-------------|-----------------|---|
| 1           | 395.403         | Transparent cover                           |
| 2a          | 395.404A        | Suction nozzle red                          |
| 2           | 395.404         | Suction nozzle black                        |
| 3           | 400.766B        | air filter sieve compl.                     |
| 4a          | 395.203A        | Socket red 70mm                             |
| 4           | 043.203         | Connection naturally transparent 45mm       |
| 5           | 395.408         | Fresh water cover                           |
| 6           | 395.409         | Fresh water cap                             |
| 7           | 436.226         | Shaft                                       |
| 8           | 436.228         | Compression spring DIN 2095 0.8 / 10.8 / 30 |
| 9           | P174            | Wing nut M8 IG                              |
| 10          | P496P           | Washer DIN 125 A M8 8,4/16/1,6 A2           |
| 11          | P500K           | Washer DIN 6799 6/12/0,7 A2                 |
| 12          | 395.440         | Seal dirty water cover                      |
| 13          | 395.432         | Carry handle red                            |
| 14          | P493G           | Nut DIN 985 M5                              |
| 15          | P488B           | Screw DIN 912 M5 x 12 A2                    |
| 16          | 395.402         | Dirty water tank                            |
| 17          | 395.410         | Fresh water tank                            |
| 18          | P535B           | Nut 3/8 Ms                                  |
| 19          | 395.423         | Reduction nozzle                            |
| 20          | 500.421         | Water Filter                                |
| 21          | P535E           | Hollow nipple 3/8 - 1/4 x 16 Ms             |
| 22          | P533F           | Screw-in connection short ø8 G1/4"          |
| 23          | 395.601         | Hose PU transp. ø 8 / 5 x 0.075m            |
| 24          | 395.422         | Tank attachment front                       |
| 25          | P516G           | Screw WN 1451 K40 x 16                      |
| 26          | P497T           | Shim DIN 9021 M8 8,4/24/2 A2                |
| 27          | 395.906         | SK- Sticker RA 395 IBC                      |
| 28          | P097            | Sealing shim 30/17/2 PE                     |
| 29          | P497G           | Washer DIN 125 A M5 5,3/10/1 A2             |
| 30          | 395.416         | Threaded bolt                               |
| 31          | P510A           | Shim DIN 125 A M10 10,5/20/2 PA6.6          |
| 32          | P513C           | Ring DIN 471 10/1,0                         |
| 33          | P508C           | Ball valve 1/4 short thread                 |
| 34          | 395.434         | Nut G1 / 4 x 21.5                           |
| 35          | 030.015         | Seal 20 x 13 x 2mm                          |
| 37          | 700.387         | Water Hose                                  |

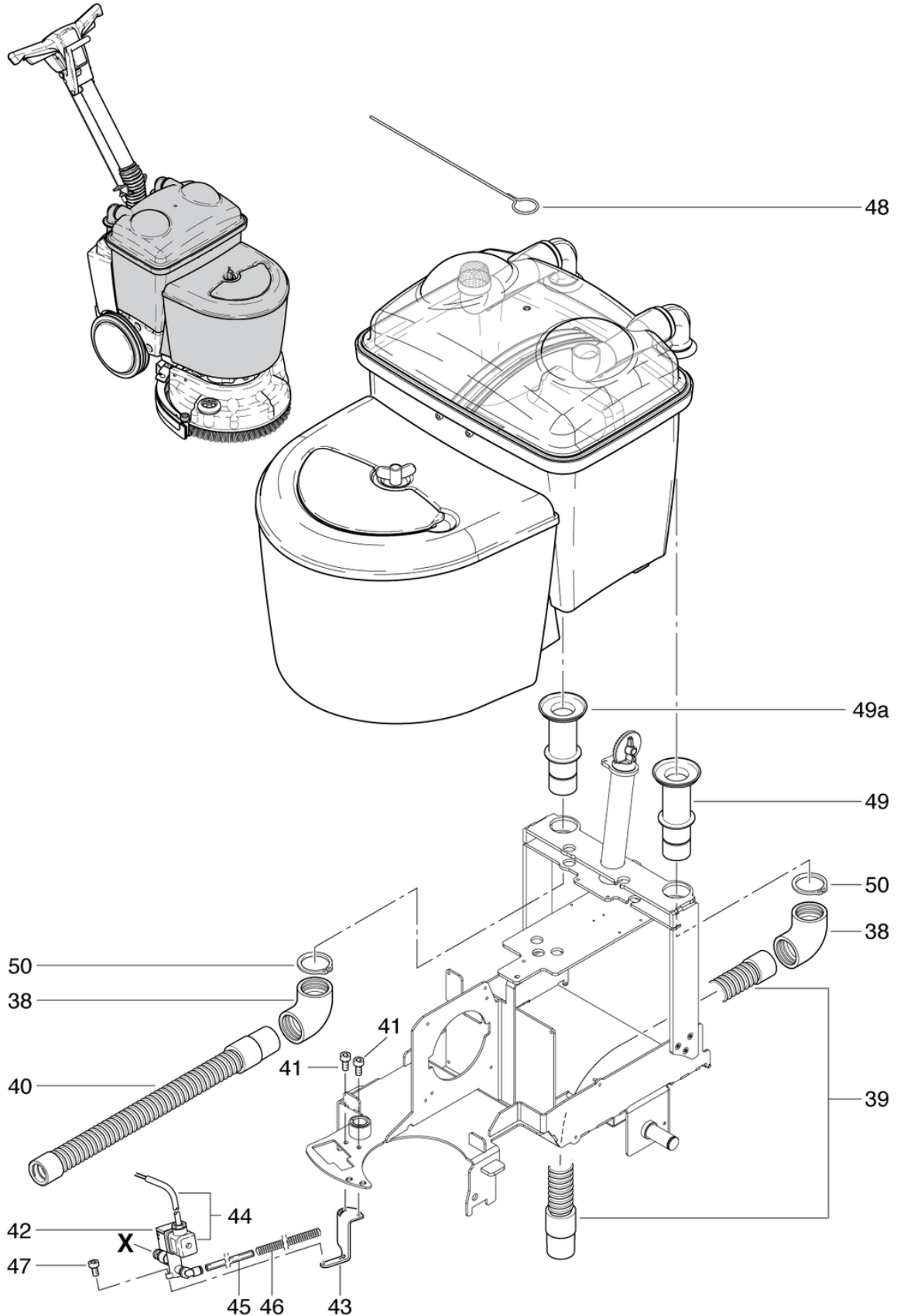
# CLEANFIX RA395 IBC

## Clean water tank and Waste water tank-a

PDF created on: 27.07.2024 19:17



RA 395 IBC



# CLEANFIX RA395 IBC

## Clean water tank and Waste water tank-a

PDF created on: 27.07.2024 19:17

| <b>Pos.</b> | <b>Item no.</b> | <b>Spare part</b>                            |
|-------------|-----------------|--|
| 38          | 395.406         | PVC sleeve 90°                               |
| 39          | 395.415         | Hose to suction nozzle                       |
| 40          | 395.414         | Hose to suction motor                        |
| 41          | P488E           | Screw DIN 912 M5 x 8 A2                      |
| 42          | 395.600         | Magnetic valve Type E 151 PPS 40 w. screwing |
| 43          | 395.420         | Valve holder                                 |
| 44          | P359M           | Cable harness magnetic valve incl. plug      |
| 45          | 395.602         | Hose PU transp. ø 8 / 5 x 0.15m              |
| 46          | 900.162A        | Compression spring 0.8 / 9.5 / 120           |
| 47          | P486A           | Screw DIN 912 M4 x 12                        |
| 48          | 395.435         | Holding rope ø 3 x 260mm                     |
| 49a         | 395.405A        | Red connector                                |
| 49          | 395.405         | Anthracite gray connector                    |
| 50          | P513ED          | Ring DIN 471 40/1,75                         |

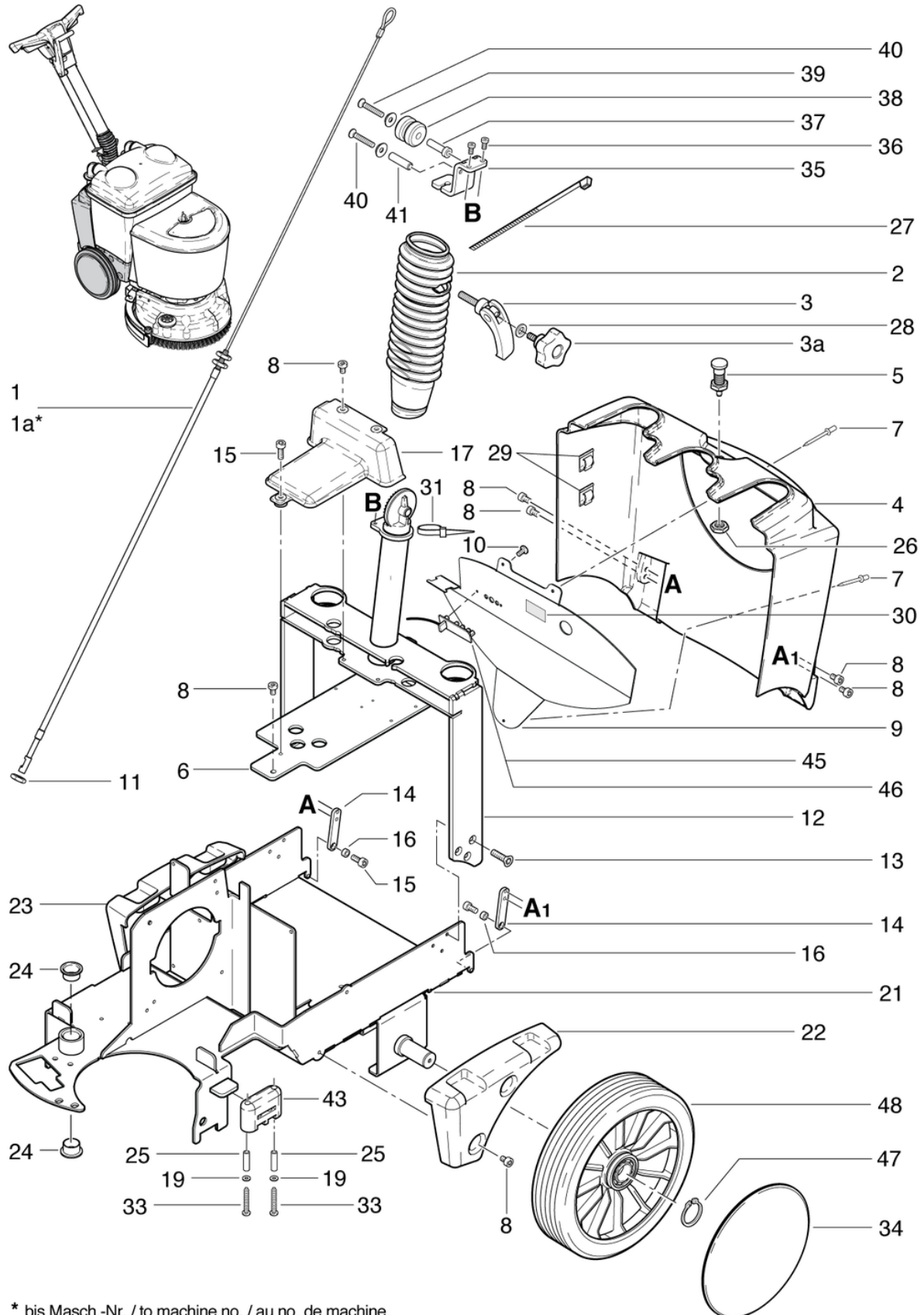
# CLEANFIX RA395 IBC

## Chassis and Wheel

PDF created on: 27.07.2024 19:17



RA 395 IBC



\* bis Masch.-Nr. / to machine no. / au no. de machine  
9602.001

# CLEANFIX RA395 IBC

## Chassis and Wheel

PDF created on: 27.07.2024 19:17

| Pos. | Item no. | Spare part                                  |
|------|----------|---|
| 1a*  | 395.433  | Bowden cable nozzle lifting 1.04m           |
| 1    | 395.437  | Bowden cable nozzle lifting 0,93m           |
| 2    | 395.210  | Protection bellows                          |
| 3a   | P253K    | Star grip Ø62 M8 x 30                       |
| 3    | P085I    | Locking handle M8 x 35                      |
| 4    | 395.401  | Battery cover anthracite grey               |
| 5    | P171     | Latching bolt with locknut M12 x 1,5 x 28   |
| 6    | 395.215  | Fixing plate                                |
| 7    | P485J    | Rivet Ø 3x10                                |
| 8    | P488E    | Screw DIN 912 M5 x 8 A2                     |
| 9    | 395.407  | Separation                                  |
| 10   | P488L    | Screw DIN 912 M3 x 5                        |
| 11   | P491R    | Nut DIN 439 B M10 x 0.5d St vz              |
| 12   | 395.211  | Stick holder                                |
| 13   | P488B    | Screw DIN 912 M5 x 12 A2                    |
| 14   | 395.417  | Lever                                       |
| 16   | 395.418  | Storage battery cover                       |
| 17   | 395.426  | Cover Ele-Box                               |
| 19   | P497G    | Washer DIN 125 A M5 5,3/10/1 A2             |
| 21   | 395.400  | Chassi                                      |
| 22   | 395.412  | Side protection left red                    |
| 23   | 395.411  | Side protection right red                   |
| 24   | P321I    | Permaglide flange socket 18/20/12           |
| 25   | P815Q    | Tank storage tin long                       |
| 26   | P491MB   | Nut DIN 439 M12 x 1.5 St galvanized         |
| 27   | P609B    | Cable tie weatherproof- 3,5 x 200           |
| 28   | P496P    | Washer DIN 125 A M8 8,4/16/1,6 A2           |
| 29   | P360     | Nature cable holder                         |
| 30   | 395.910  | Self-adhesive label motor protection switch |
| 31   | P421     | Cable tie black 2.5 x 98mm                  |
| 33   | P515N    | Screw WN 1452 K50 x 35                      |
| 34   | 530.242  | Wheel Cover Red                             |
| 35   | 395.212  | Cable holder                                |
| 36   | P487YZ   | Screw DIN 7984 M5 x 10 galvanized           |
| 37   | 395.436  | Bushing ø 5.2 / 12 x 32                     |
| 38   | 395.214  | cable support                               |
| 39   | P496H    | Shim DIN 125 A M5 5,3/10/1                  |



| <b>Pos.</b> | <b>Item no.</b> | <b>Spare part</b>                  |
|-------------|-----------------|------------------------------------|
| 40          | P486N           | Screw DIN 912 M5 x 40 with shaft   |
| 41          | 395.213         | Axe Ø 9 x 33                       |
| 43          | P318            | Fresh water tank farm              |
| 45          | 395.908         | Wiring harness charger             |
| 46          | P415A           | LED indicator for charger RA395    |
| 47          | P513EA          | Ring DIN 471 20/1,2 A2             |
| 48          | 530.240         | wheel ø226 x 53 including bearings |

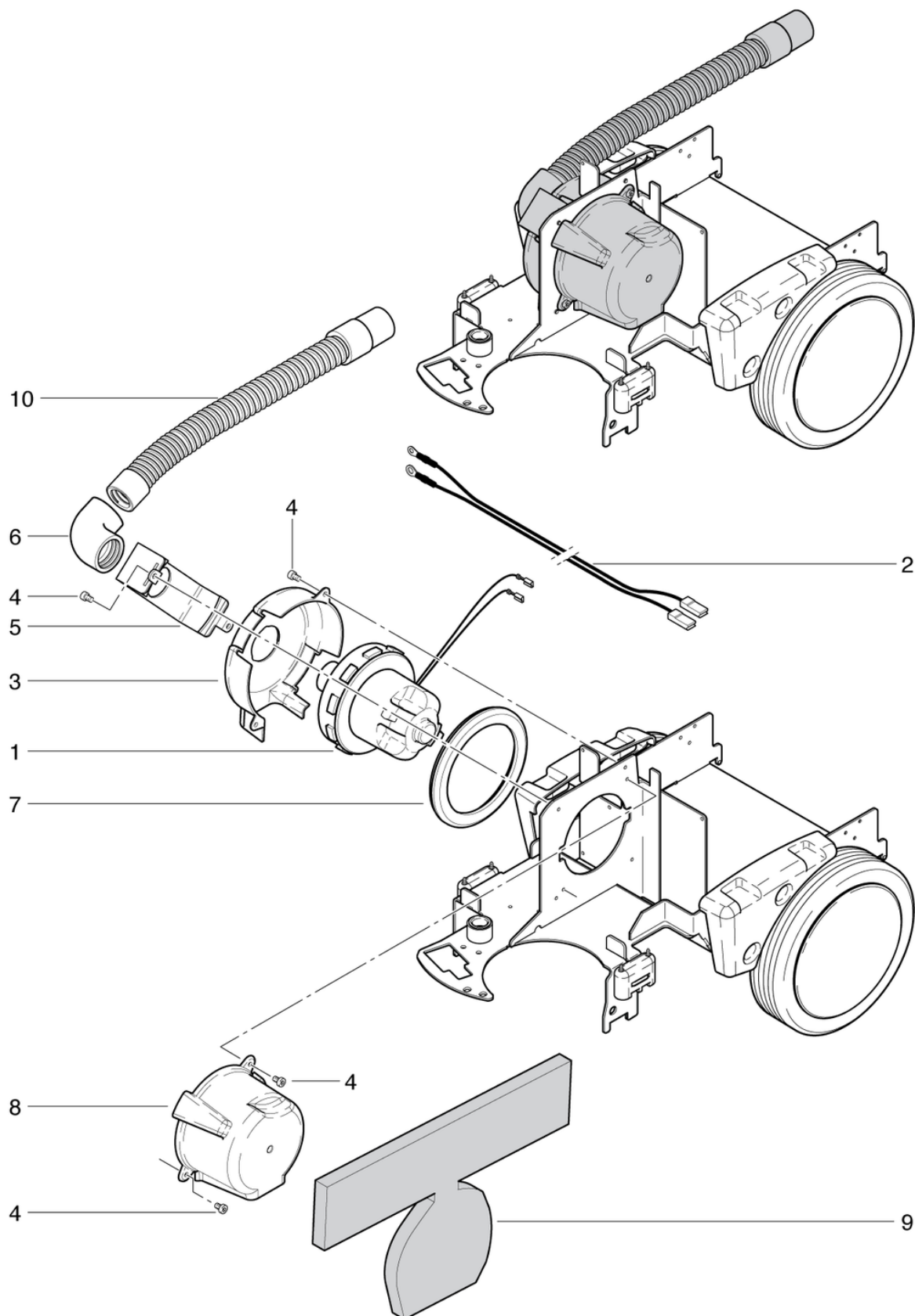
# CLEANFIX RA395 IBC

## Suction motor

PDF created on: 27.07.2024 19:17



RA 395 IBC



# CLEANFIX RA395 IBC

## Suction motor

PDF created on: 27.07.2024 19:17

| <b>Pos.</b> | <b>Item no.</b> | <b>Spare part</b>            |
|-------------|-----------------|------------------------------|
| 1           | P882            | Suction motor 12V DC, 175W   |
| 2           | 395.904         | Wiring harness suction motor |
| 3           | 395.413         | Blower cover right           |
| 4           | P488E           | Screw DIN 912 M5 x 8 A2      |
| 5           | 395.424         | Blower holder                |
| 6           | 395.406         | PVC sleeve 90°               |
| 7           | 330.057         | Seal                         |
| 8           | 395.427         | Blower cover left            |
| 9           | 395.438         | Sound insulation mat         |
| 10          | 395.414         | Hose to suction motor        |

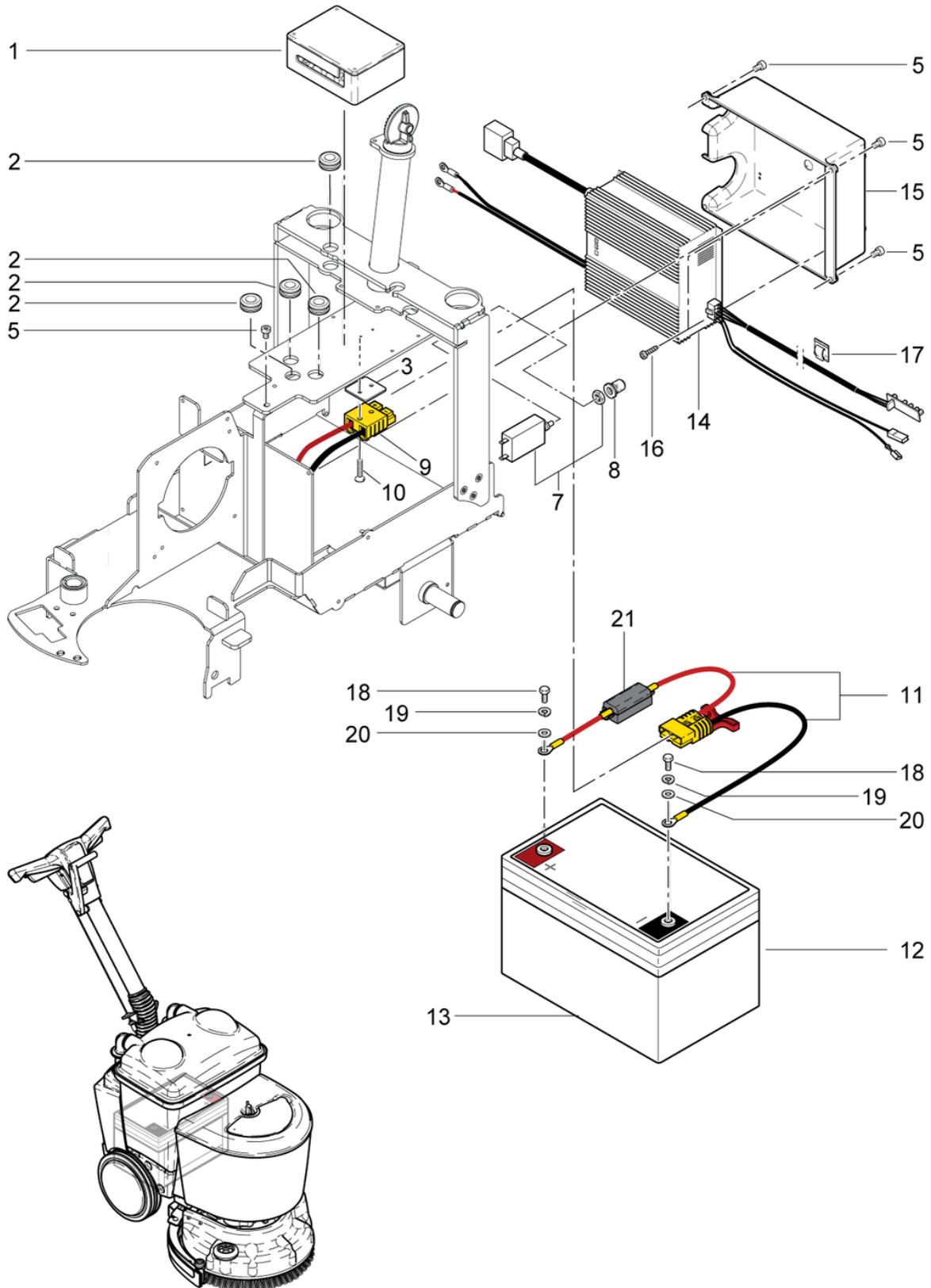
# CLEANFIX RA395 IBC

## Battery - Electronics

PDF created on: 27.07.2024 19:17



RA 395 IBC



# CLEANFIX RA395 IBC

## Battery - Electronics

PDF created on: 27.07.2024 19:17

| Pos. | Item no. | Spare part                        |
|------|----------|-----------------------------------|
| 1    | 395.371  | Electronics incl. housing         |
| 2    | P409B    | CR type DA black, inside Ø13mm    |
| 3    | 395.268  | Reinforcing plate                 |
| 5    | P488E    | Screw DIN 912 M5 x 8 A2           |
| 7    | 500.959  | Protect Switch 30A                |
| 8    | 500.957A | Protective Cap                    |
| 9    | 395.903  | Wiring harness electric box       |
| 10   | P477C    | Screw DIN 912 M3 x 18             |
| 11   | 395.902  | Wiring harness battery Pol M6     |
| 12   | 395.093  | Gel battery 12V 54Ah C5, Eternity |
| 13   | 320.089  | Velcro strap 50 x 810mm           |
| 14   | 395.905  | on board battery charger 12V 10A  |
| 15   | 395.428  | Charger cover                     |
| 16   | P484N    | Screw DIN 7981 C 3,5 x 9,5        |
| 17   | P360     | Nature cable holder               |
| 18   | P472R    | Screw DIN 933 M6 x 12 A2          |
| 19   | P498U    | Ring DIN 127 B M6 6,1/11,8/1,6 A2 |
| 20   | P497K    | Washer DIN 125 A M6 6,4/12/1,6 A2 |
| 21   | 395.372  | Strip fuse 60A                    |

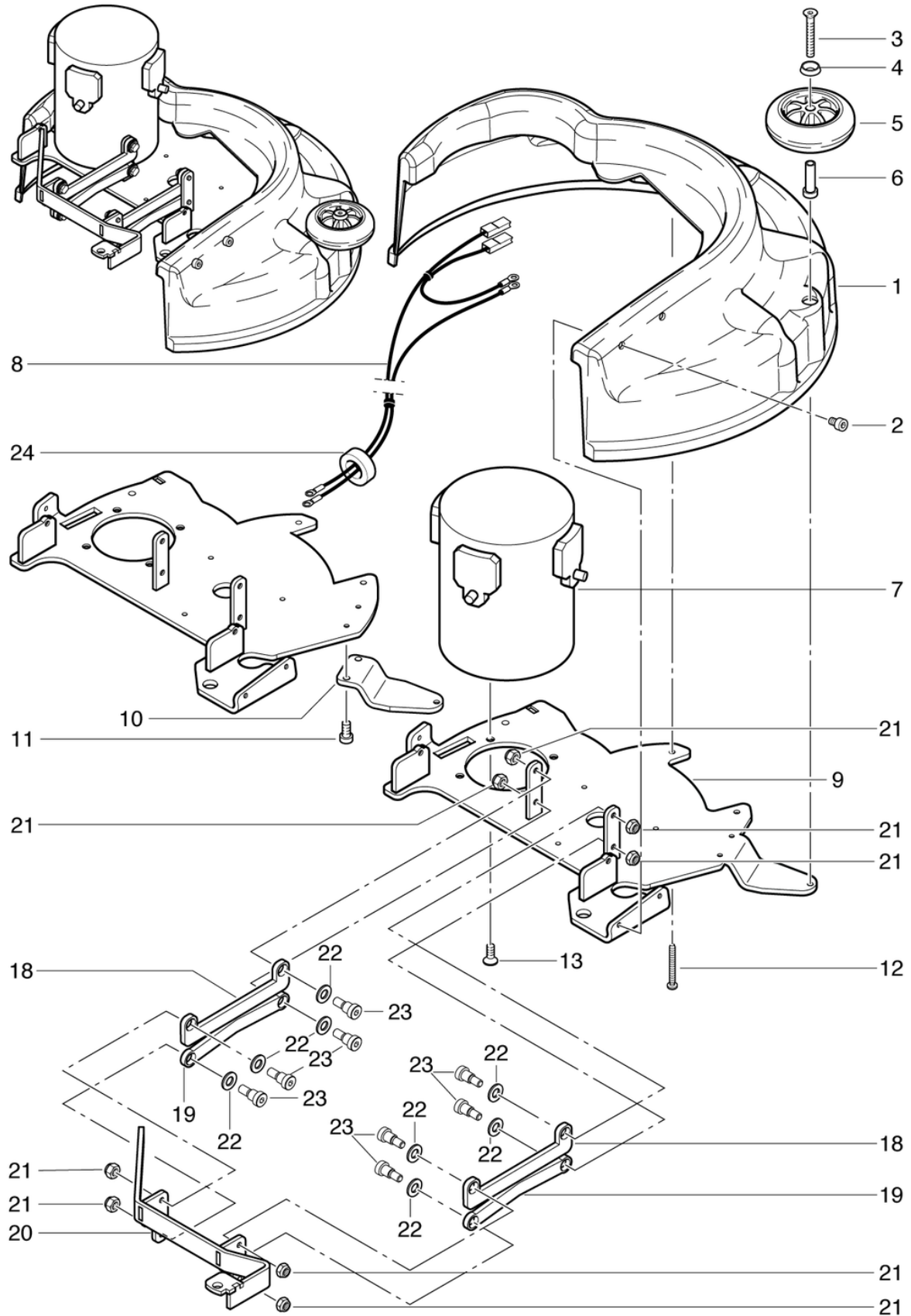
# CLEANFIX RA395 IBC

## Brush head

PDF created on: 27.07.2024 19:17



RA 395 IBC



# CLEANFIX RA395 IBC

## Brush head

PDF created on: 27.07.2024 19:17

| Pos. | Item no. | Spare part                                  |
|------|----------|---|
| 1    | 395.516  | Brush head cover red                        |
| 2    | P488E    | Screw DIN 912 M5 x 8 A2                     |
| 3    | P479NA   | Screw DIN 7991 M6 x 40                      |
| 4    | P500Q    | Washer SN 213912 M6 18/4,8                  |
| 5    | P204L    | Skater wheel ø75                            |
| 6    | 395.436  | Bushing ø 5.2 / 12 x 32                     |
| 7    | 395.507  | Brush drive motor 12V 300W                  |
| 8    | 395.901  | Wiring harness brush motor motor protection |
| 9    | 395.509  | Motor-head holder                           |
| 10   | 395.515  | Wheel holder                                |
| 11   | P488B    | Screw DIN 912 M5 x 12 A2                    |
| 12   | P517A    | Screw WN 1452 K40 x 35                      |
| 13   | P487W    | Screw DIN 7991 M6 x 16 A2                   |
| 18   | 395.513  | Strut on top                                |
| 19   | 395.512  | Strut below                                 |
| 20   | 395.514  | Scenery plate                               |
| 21   | P492K    | Nut DIN 985 M6 A2                           |
| 22   | P496P    | Washer DIN 125 A M8 8,4/16/1,6 A2           |
| 23   | 395.520  | Bearing screw M6                            |
| 24   | P050     | Ferrit Role                                 |

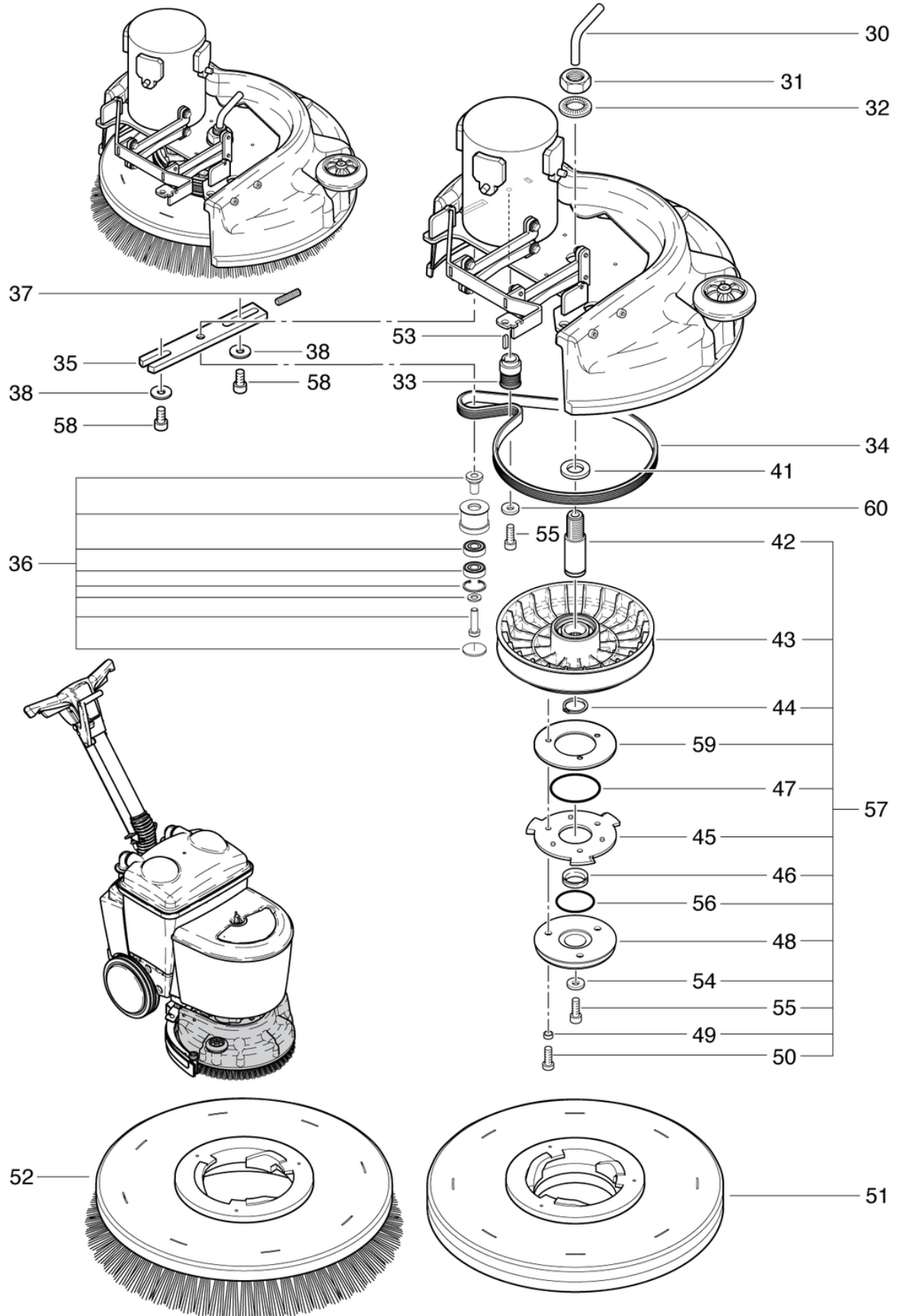
# CLEANFIX RA395 IBC

## Brush head-a

PDF created on: 27.07.2024 19:17



RA 395 IBC





# CLEANFIX RA395 IBC

## Brush head-a

PDF created on: 27.07.2024 19:17

| Pos. | Item no. | Spare part                            |
|------|----------|---------------------------------------|
| 30   | 395.518  | Lye pipe                              |
| 31   | P492R    | Nut DIN 934 M20 x 1.5 A2              |
| 32   | P498Q    | Shim NFE 25511 M20 20,5/40/4,9        |
| 33   | 395.506  | Wheel bolt motor                      |
| 34   | 395.504  | Poly-V-bolt                           |
| 35   | 395.510  | Tension rail                          |
| 36   | 395.500  | Idler pulley cpl.                     |
| 37   | P513J    | Pin DIN 913 M6 x 30 A2                |
| 38   | P497H    | Washer DIN 9021 M6 6,4/18/1,6 A2      |
| 41   | 395.511  | Bush $\varnothing$ 35 / 20.1 x 5      |
| 42   | 395.508  | Main shaft                            |
| 43   | 395.503  | Wheel bolt                            |
| 44   | P513D    | Ring DIN 471 25/1,2                   |
| 45   | 742.141  | Pad Hub                               |
| 46   | P344     | Shaft sealing ring 25x40x3 EPDM/V2A   |
| 47   | P964A    | Ring DIN 3771 55,25/2,62 EPDM         |
| 48   | 430.157  | Pad Driver Hub                        |
| 49   | 742.129  | Distance ring $\varnothing$ 8 / 6 x 4 |
| 50   | P487S    | Screw DIN 912 M6 x 20 A2              |
| 51   | 395.070  | Driving disc $\varnothing$ 38,1cm     |
| 52   | 395.059  | Scrubbing brush with splash guard 15" |
| 53   | P512G    | Wedge DIN 6885 5/5/20 A4              |
| 54   | P495ZA   | Shim DIN 7349 M6 6,4/17/3             |
| 55   | P472T    | Screw DIN 933 M6 x 20 A2              |
| 56   | P964B    | Ring DIN 3771 42,52/2,62 EPDM         |
| 57   | 395.502  | Wheel bolt compl.                     |
| 58   | P486R    | Screw DIN 912 M6 x 16                 |
| 59   | 430.136  | Distance shim 46 x 99 x 1             |
| 60   | P510L    | Washer DIN 522 M6 6,4/25/1,5 A2       |

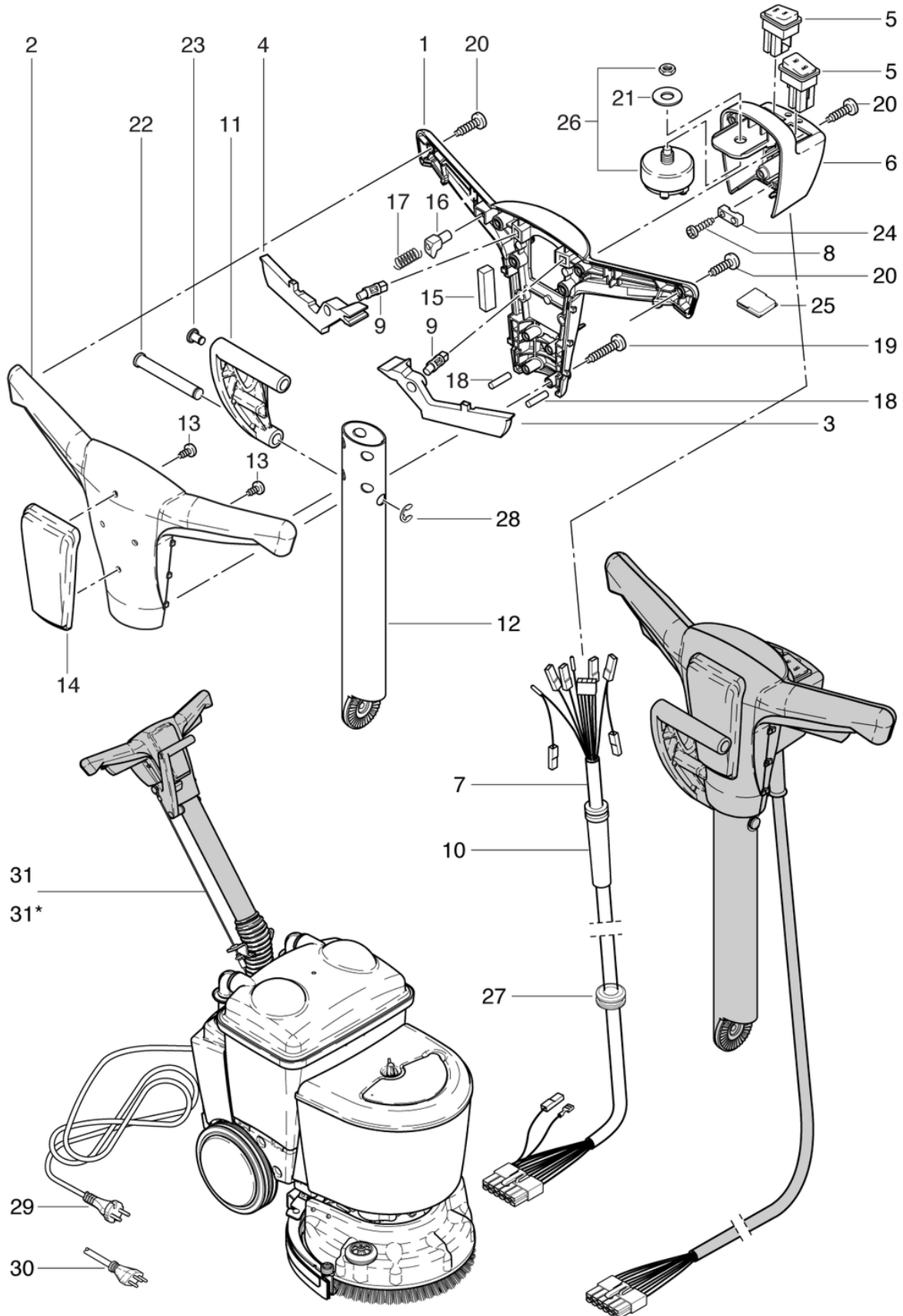
# CLEANFIX RA395 IBC

## Handle housing

PDF created on: 27.07.2024 19:17



RA 395 IBC



\* bis Masch.-Nr. / to machine no. / au no. de machine 9602.001

# CLEANFIX RA395 IBC

## Handle housing

PDF created on: 27.07.2024 19:17

| Pos. | Item no.  | Spare part                                       |
|------|-----------|--|
| 1    | 395.201   | Main shell anthracite grey                       |
| 2    | 395.202   | Cover shell anthracite grey (with holes)         |
| 3    | 749.204   | Gear Lever left                                  |
| 4    | 749.203   | Gear Lever right                                 |
| 5    | P231      | Rocker switch white 12V                          |
| 6    | 438.4540  | electrical cap RAL5003 machined                  |
| 7    | 395.319   | Wiring harness bumper                            |
| 8    | P516Q     | Screw WN 1452 K50 x 18                           |
| 9    | 749.205   | Pin red  |
| 10   | 660011014 | R53-1100 Cable Sleeve                            |
| 11   | 438.4560  | Suction nozzle lift lever, anthracite gray       |
| 12   | 395.208   | Shock tube cpl.                                  |
| 13   | P515W     | Screw WN 1451 K40 x 8                            |
| 14   | 395.205   | Red cover  |
| 15   | 438.455   | cover 13x 47,5x10mm                              |
| 16   | 749.208   | Locking bolt                                     |
| 17   | 742.209   | Compression spring VD-090L 0.55 / 6 / 29.2       |
| 18   | P514A     | Straight pin ISO 2338 8 x 30                     |
| 19   | P515E     | Screw WN 1452 K50 x 30                           |
| 20   | P515Z     | Screw WN 1452 K50 x 16                           |
| 21   | P496A     | Washer DIN 522 M12 13/30/1,6                     |
| 22   | 438.460   | Cover plate                                      |
| 23   | 438.459   | rope bolt  |
| 24   | 4611085   | Cable Clamp                                      |
| 25   | 749.218   | closing lid                                      |
| 26   | 6650454   | Switch   |
| 27   | P409B     | CR type DA black, inside Ø13mm                   |
| 28   | P499Q     | Shim DIN 6799 8/16,3/1                           |
| 29   | 436.790   | Main cable VDE 3 x 1.00mm <sup>2</sup> , black   |
| 30   | 436.791   | Cable SEV 3 x 1,00mm <sup>2</sup> , black, 2.50m |
| 31*  | 395.433   | Bowden cable nozzle lifting 1.04m                |
| 31   | 395.437   | Bowden cable nozzle lifting 0,93m                |

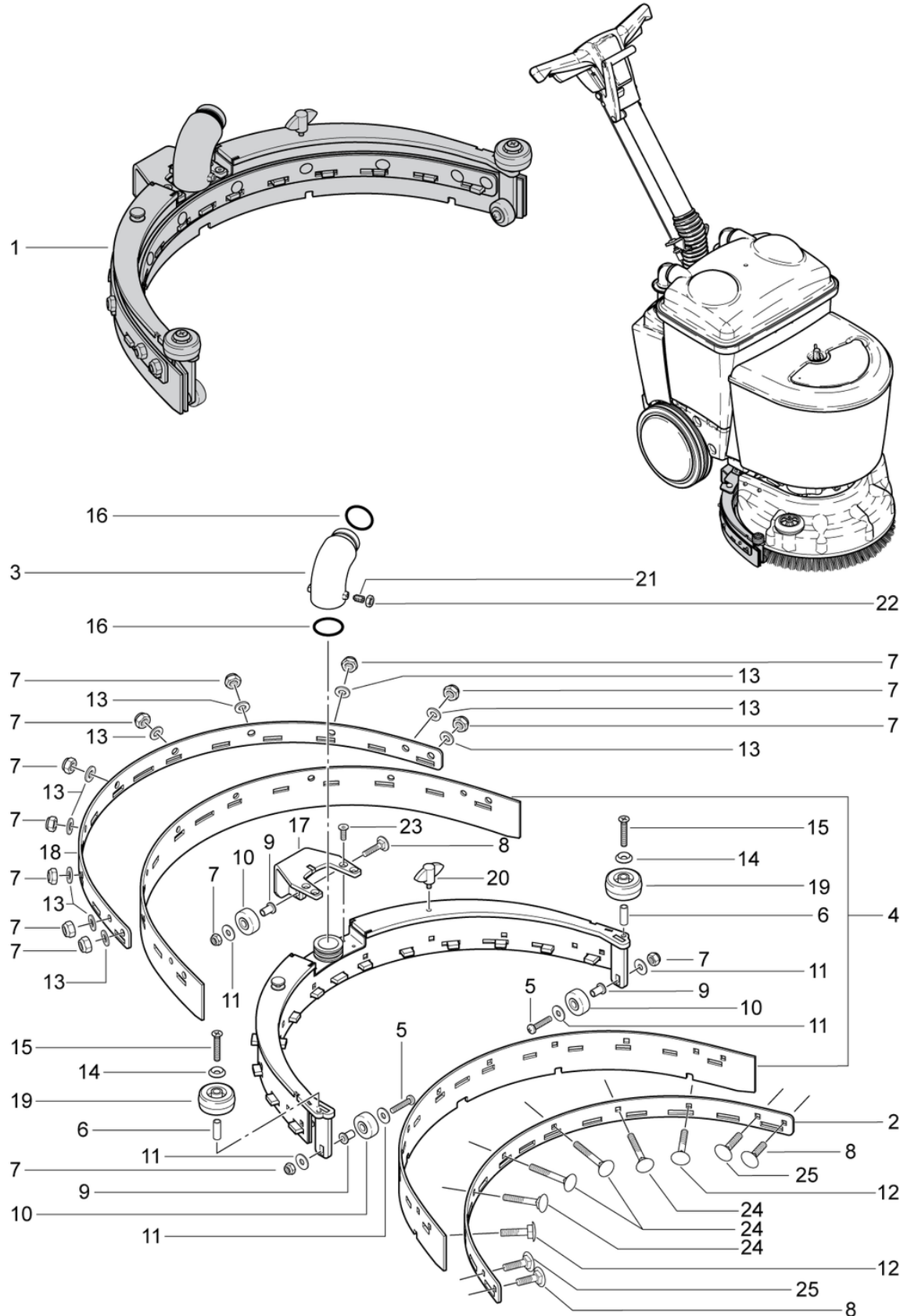
# CLEANFIX RA395 IBC

## Suction nozzle, to machine no. 335971.001

PDF created on: 27.07.2024 19:17



RA 395 IBC



# CLEANFIX RA395 IBC

## Suction nozzle, to machine no. 335971.001

PDF created on: 27.07.2024 19:17

| Pos. | Item no.  | Spare part   |
|------|-----------|--|
| 1    | 395.300   | suck jet   |
| 2    | 395.302   | Front holding rail                                 |
| 3    | 433.104   | Inlet side $\varnothing 32 / 26,5 \times 90^\circ$ |
| 4    | 395.080LT | Rubber blade red, standard                         |
| 5    | P476H     | Screw DIN 7985 M5 x 25                             |
| 6    | 433.110   | can  |
| 7    | P493G     | Nut DIN 985 M5                                     |
| 8    | P481GF    | Screw DIN 603 M5 x 20                              |
| 9    | 433.109A  | Bushing $\varnothing 11 / 5.2 \times 12.8$         |
| 10   | 395.439   | Roller $\varnothing 25 / 7,05$                     |
| 11   | P497H     | Washer DIN 9021 M6 6,4/18/1,6 A2                   |
| 12   | P481GE    | Screw DIN 603 M5 x 30                              |
| 13   | P497E     | Shim DIN 9021 M5 5,3/15/1,2 A2                     |
| 14   | P500Q     | Washer SN 213912 M6 18/4,8                         |
| 15   | P479S     | Screw DIN 965 M6 x 35                              |
| 16   | P964C     | Ring DIN 3771 26 / 2.5 NBR                         |
| 17   | 395.306   | Rear wheel holder                                  |
| 18   | 395.303   | Rear holding rail                                  |
| 19   | 395.140   | Mini polyamide wheel $\varnothing 40\text{mm}$     |
| 20   | P253R     | Wing screw $\varnothing 48 \text{ M6} \times 10$   |
| 21   | P483A     | Pin ISO 4028 M4 x 12 St galvanized                 |
| 22   | P491L     | Nut DIN 934 M4 A2                                  |
| 23   | P480KA    | Screw DIN 7991 M4 x 12 A2                          |
| 24   | P481GD    | Screw DIN 603 M5 x 40                              |
| 25   | P481GG    | Screw DIN 603 M5 x 25                              |

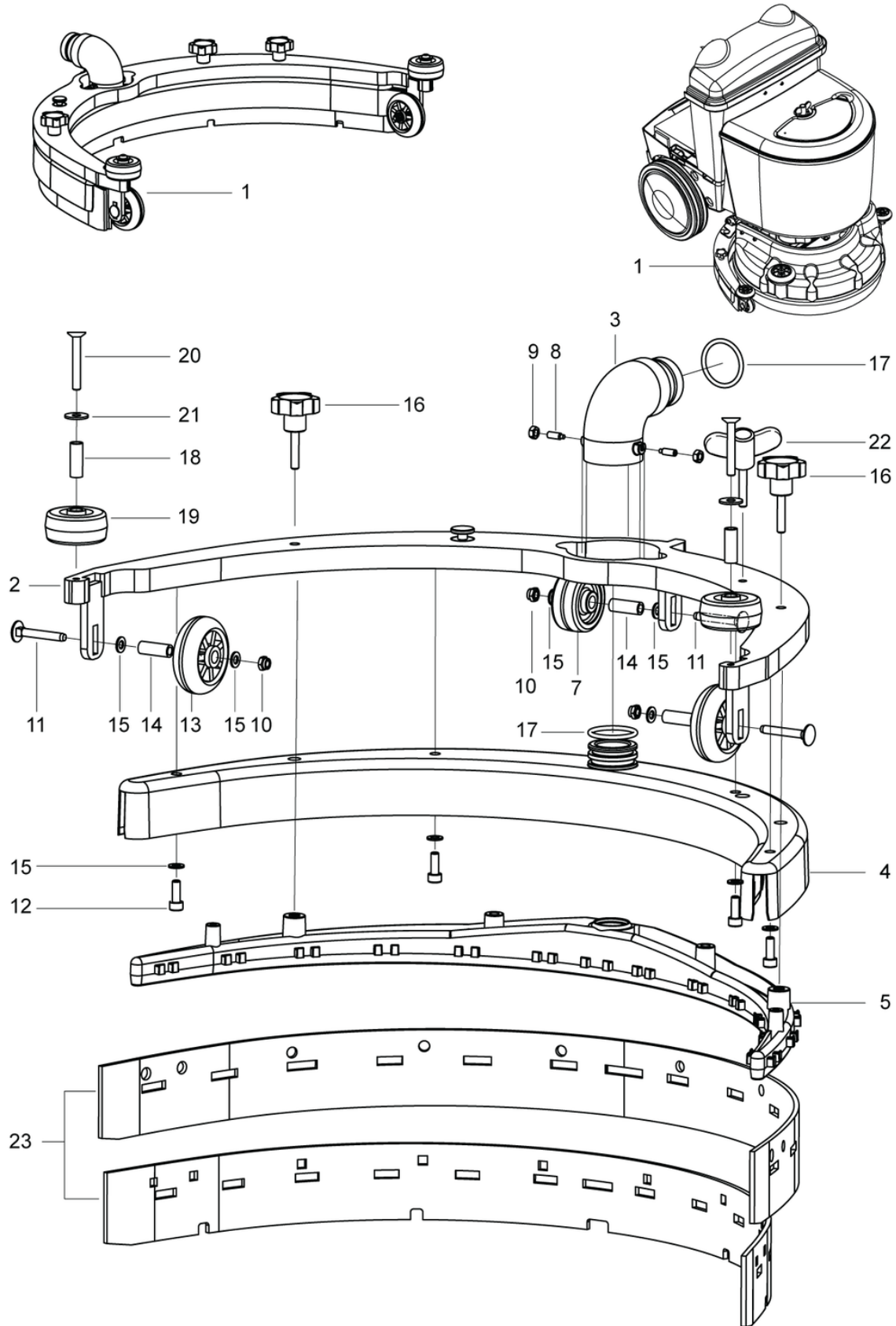
# CLEANFIX RA395 IBC

## Suction nozzle, from machine no. 335972.001

PDF created on: 27.07.2024 19:17



RA 395 IBC



# CLEANFIX RA395 IBC

## Suction nozzle, from machine no. 335972.001

PDF created on: 27.07.2024 19:17

| Pos. | Item no.  | Spare part   |
|------|-----------|--|
| 1    | 395.350   | Suction nozzle cpl.                                    |
| 2    | 395.353   | Nozzle holding plate cpl.                              |
| 3    | 433.104   | Inlet side $\varnothing 32 / 26,5 \times 90^\circ$     |
| 4    | 395.351   | Nozzle body outside                                    |
| 5    | 395.352   | Nozzle body inside                                     |
| 7    | P201      | Polyurethane wheel with plain bearing $\varnothing 40$ |
| 8    | P483A     | Pin ISO 4028 M4 x 12 St galvanized                     |
| 9    | P491L     | Nut DIN 934 M4 A2                                      |
| 10   | P493G     | Nut DIN 985 M5   |
| 11   | P481GI    | Screw DIN 603 M5 x 35                                  |
| 12   | P488F     | Screw DIN 912 M5 x 14 A2                               |
| 13   | 565.585   | Skaters roll $\varnothing 50$ edited                   |
| 14   | 395.354   | Bushing Roller $\varnothing 8 / 5.2 \times 21.5$       |
| 15   | P497G     | Washer DIN 125 A M5 5,3/10/1 A2                        |
| 16   | P253J     | Star grip $\varnothing 32$ M5 x 25                     |
| 17   | P964C     | Ring DIN 3771 26 / 2.5 NBR                             |
| 18   | 433.110   | can  |
| 19   | 395.140   | Mini polyamide wheel $\varnothing 40$ mm               |
| 20   | P479Y     | Screw DIN 7991 M5 x 30                                 |
| 21   | P500G     | Washer SN 213912 M5 16/5.3 Stv                         |
| 22   | P253R     | Wing screw $\varnothing 48$ M6 x 10                    |
| 23   | 395.080LT | Rubber blade red, standard                             |

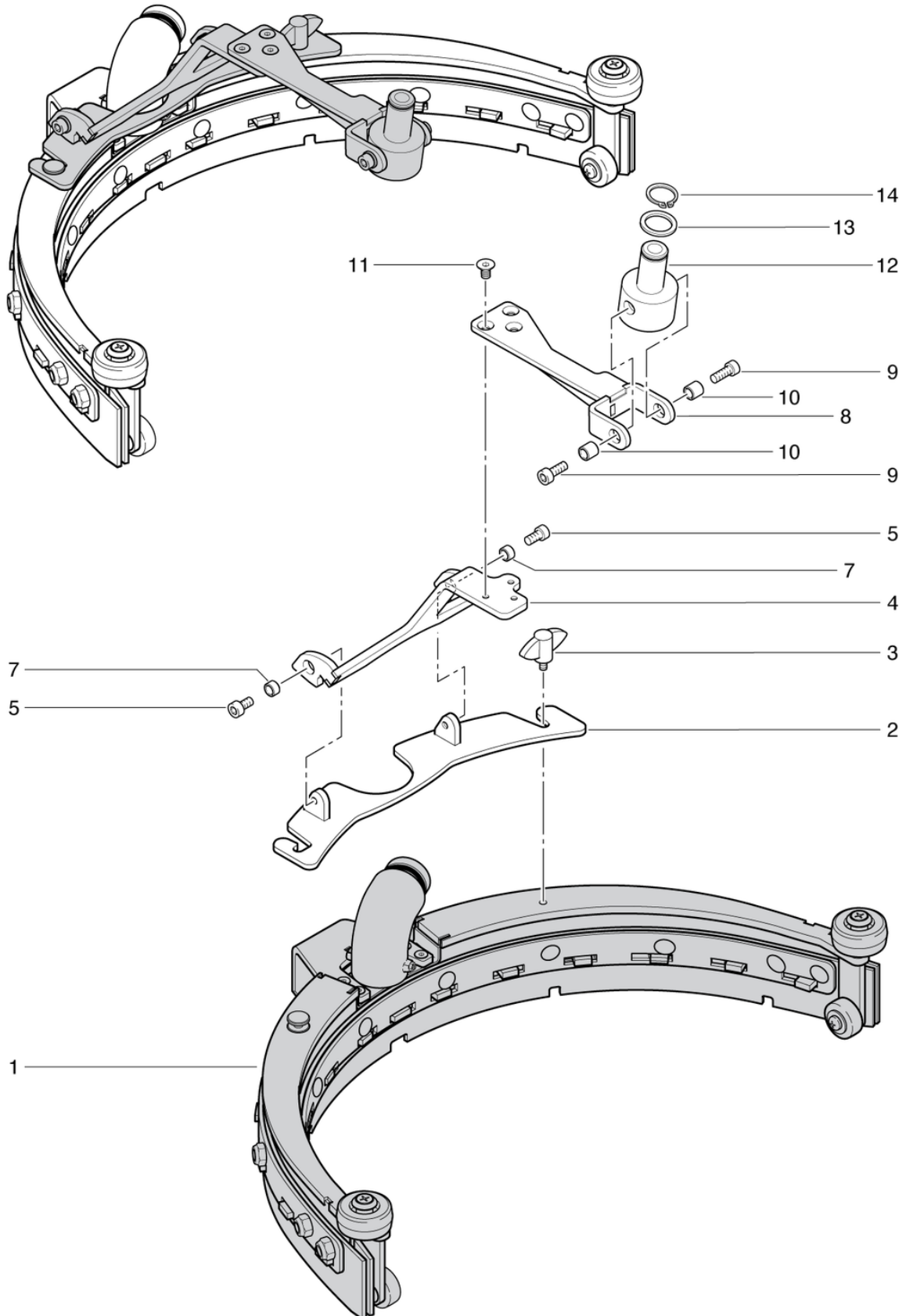
# CLEANFIX RA395 IBC

## Suspension suction nozzle, to machine no. 335971.001

PDF created on: 27.07.2024 19:17



RA 395 IBC





# CLEANFIX RA395 IBC

## Suspension suction nozzle, to machine no. 335971.001

PDF created on: 27.07.2024 19:17

| Pos. | Item no. | Spare part               |
|------|----------|--------------------------|
| 1    | 395.300  | suck jet                 |
| 2    | 395.430  | Jet holder corner        |
| 3    | P253R    | Wing screw Ø48 M6 x 10   |
| 4    | 395.429  | Suction nozzle holder    |
| 5    | P486QA   | Screw DIN 912 M6 x 14 A2 |
| 7    | 433.118  | Bushing ø9.5 / 6.2 x 6   |
| 8    | 395.419  | Lever                    |
| 9    | P486R    | Screw DIN 912 M6 x 16    |
| 10   | 395.431  | Bush ø 10 / 6.2 x 10     |
| 11   | P480PB   | Screw DIN 7991 M5 x 8    |
| 12   | 395.421  | Stuck support            |
| 13   | P496AF   | Ring BN 739 18/24/2      |
| 14   | P513EE   | Ring DIN 471 18/1,25     |

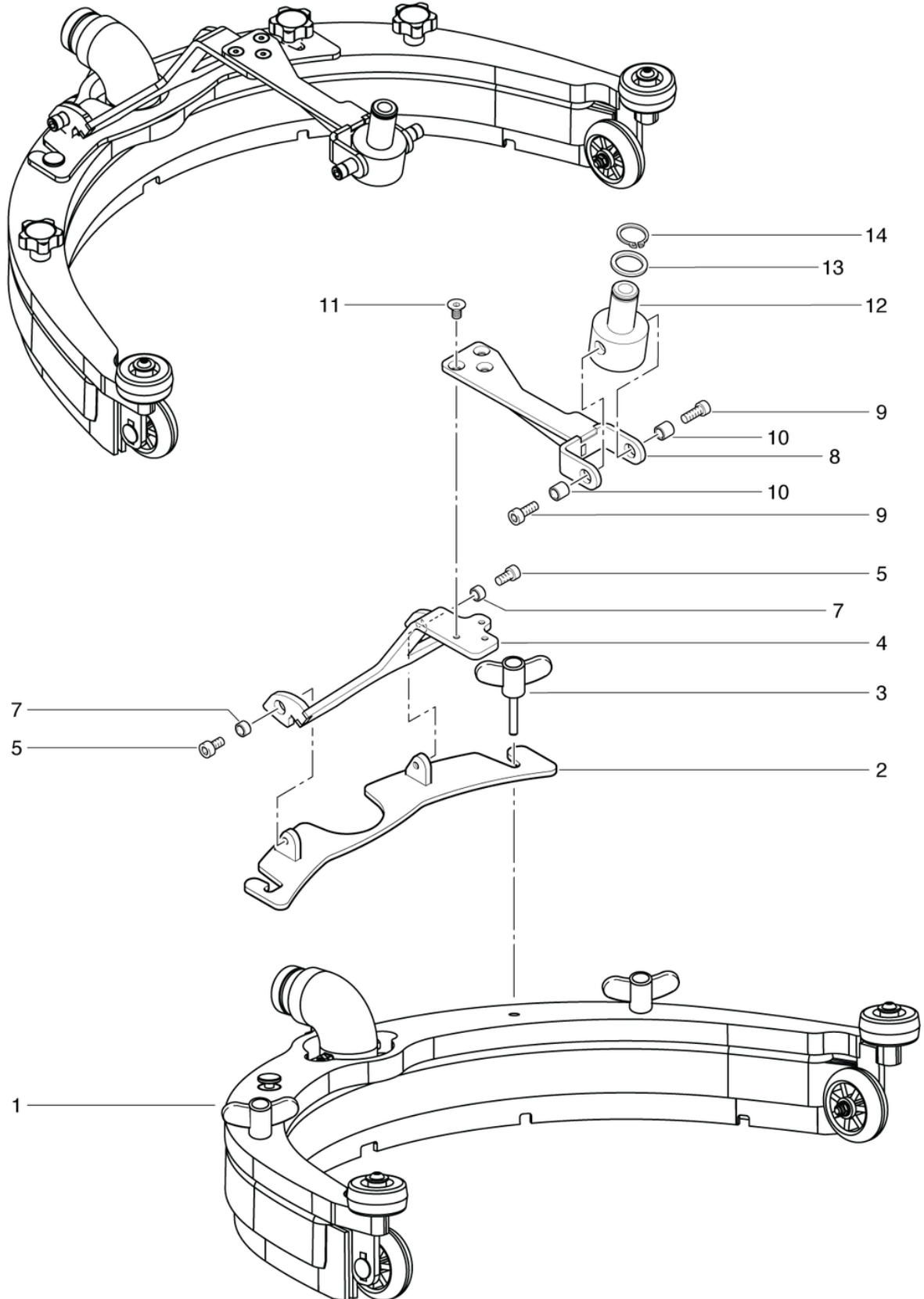
# CLEANFIX RA395 IBC

## Suspension suction nozzle, from machine no. 335972.001

PDF created on: 27.07.2024 19:17



RA 395 IBC



# CLEANFIX RA395 IBC

## Suspension suction nozzle, from machine no. 335972.001

PDF created on: 27.07.2024 19:17

| Pos. | Item no. | Spare part               |
|------|----------|--------------------------|
| 1    | 395.350  | Suction nozzle cpl.      |
| 2    | 395.430  | Jet holder corner        |
| 3    | P253R    | Wing screw Ø48 M6 x 10   |
| 4    | 395.429  | Suction nozzle holder    |
| 5    | P486QA   | Screw DIN 912 M6 x 14 A2 |
| 7    | 433.118  | Bushing ø9.5 / 6.2 x 6   |
| 8    | 395.419  | Lever                    |
| 9    | P486R    | Screw DIN 912 M6 x 16    |
| 10   | 395.431  | Bush ø 10 / 6.2 x 10     |
| 11   | P480PB   | Screw DIN 7991 M5 x 8    |
| 12   | 395.421  | Stuck support            |
| 13   | P496AF   | Ring BN 739 18/24/2      |
| 14   | P513EE   | Ring DIN 471 18/1,25     |

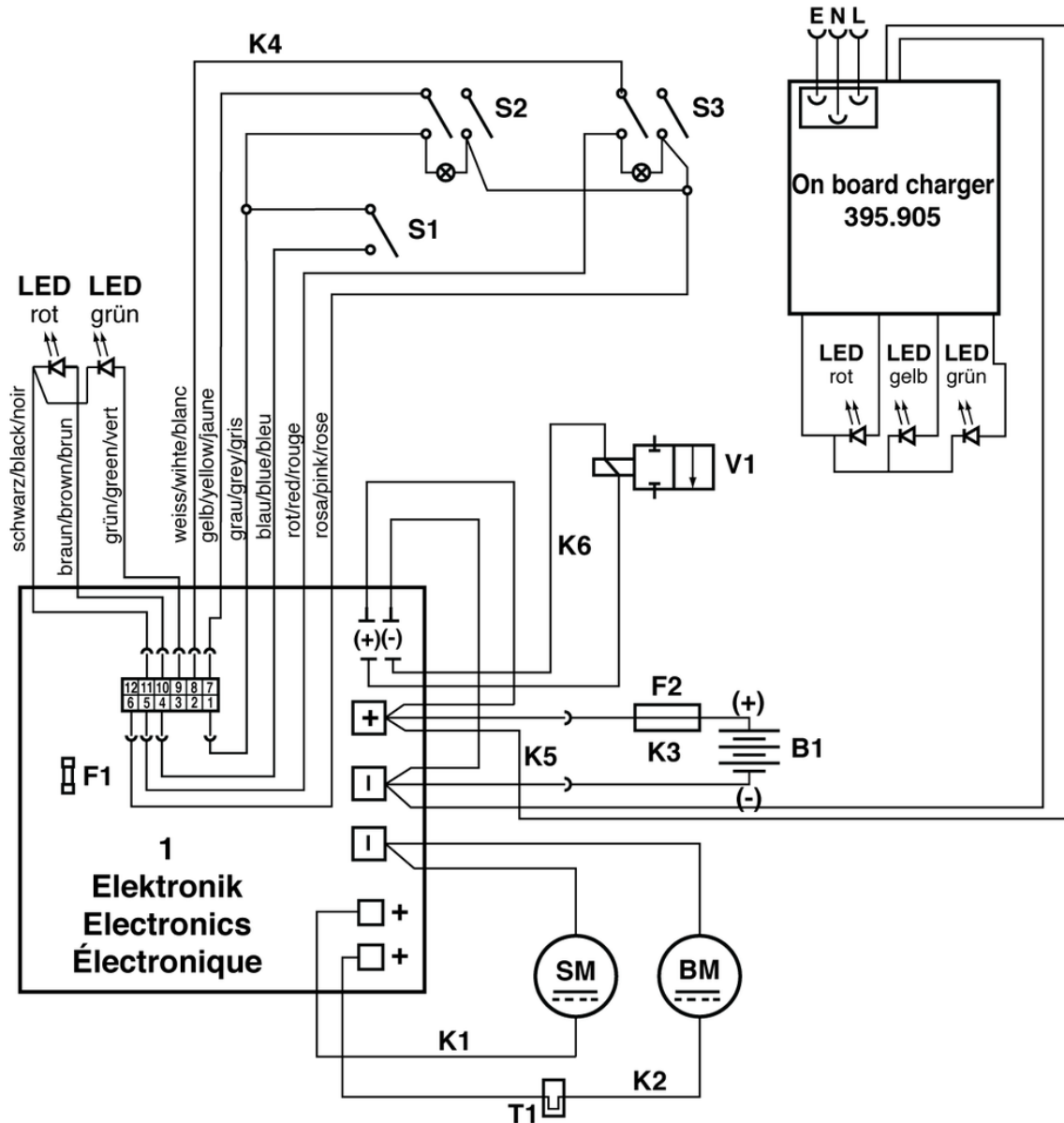
# CLEANFIX RA395 IBC

## Wiring diagram

PDF created on: 27.07.2024 19:17



RA 395 IBC



- S1 Schalter Bürstmotor / Brush motor switch / Interrupteur moteur de la brosse
- S2 Schalter Saugmotor / Suction motor switch / switch naturally aspirated
- S3 Schalter Ventil / Valve - Switch / switch - valve
- V 1 Ventil / Valve
- SM Saugmotor / Suction motor / Moteur d'aspiration
- BM Bürstmotor / Brush motor / moteur de Brosses
- F 1 Sicherung T1A / Fuse T1A / Fusible T1A
- F 2 Sicherung 60A für Batterie / Fuse 60A to battery / Fusible de 60A pour la batterie
- T 1 Thermoschalter 30A / Temperature switch 30A / Interrupteur thermique 30A
- B 1 Batterie / Battery / Batterie 12V 52Ah (C5)
- K 1 Kabelbaum Saugmotor / Cable set naturally aspirated / Câble set moteur d'aspiration
- K 2 Kabelbaum Bürstmotor / Cable set brush motor / Câble set moteur de Brosses
- K 3 Batteriekabel / battery Cables / Câbles de batteries
- K 4 Kabelbaum Stossbügel / Cable set bumper bar / Câble set barre d'amortissement
- K 5 Kabelbaum Elektrobox / Cable set Electrical Box / Câble set Boîte électrique
- K 6 Kabel mit Stecker rechteckig / Cable with connector rectangular / Câble avec connecteur rectangulaire