

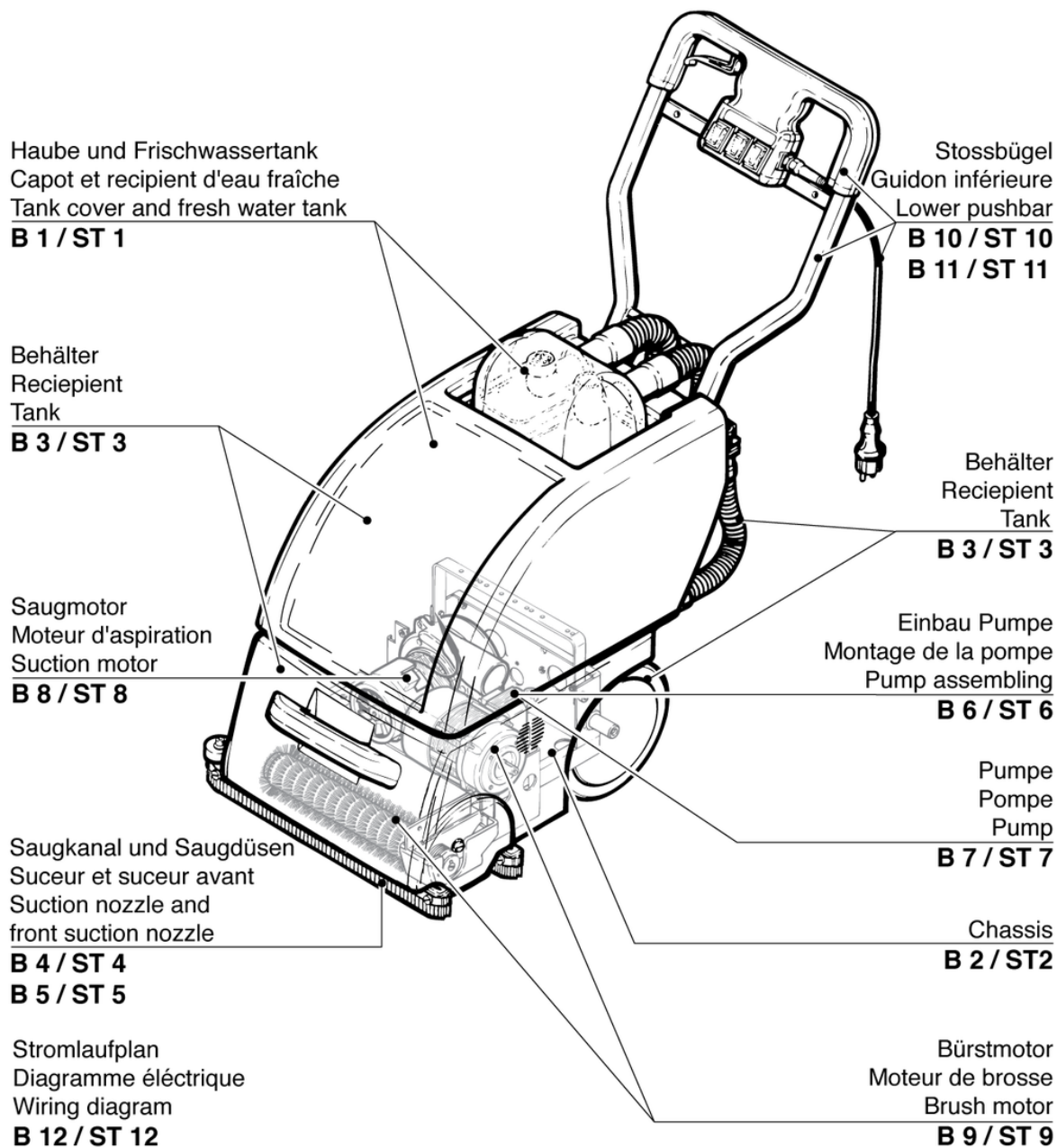
RA410E

Table contents

PDF created on: 15.08.2024 00:17



RA 410 E



RA410E

Tank cover and fresh water tank

PDF created on: 15.08.2024 00:17

Pos.	Item no.	Spare part
1	400.750	Cover 2-hole smoke transparent with filter/seal
3	400.766A	Air filter cpl. rustproof black
4	420.723	RA400 Seal for Cover (Tank)
5	530.765	Clean Water Tank Cover Compl
6	530.758	Cover For Fresh Water Tank
7	490.750	Holding rope $\varnothing 3 \times 500\text{mm}$
11	420.722	Fresh Water Tank Membrane
12	411.721	Tank RA480E
13	400.725	Suction hose cpl.
14	P541I	Elbow nipple WES 6 / R1 / 4
15	400.261B	Hose $\varnothing 8 / 6 \times 0.1\text{m}$
16	P528	Fresh water filter processed
17	P098	Clamping shim $\varnothing 35\text{mm}$
18	400.724	Fitting SW22 R3/8 Inch
19	P097	Sealing shim 30/17/2 PE
20	P535B	Nut 3/8 Ms
21	P523G	Hex nut M 12x1
22	P097B	Sealing shim $\varnothing 35/17/2$ EPDM

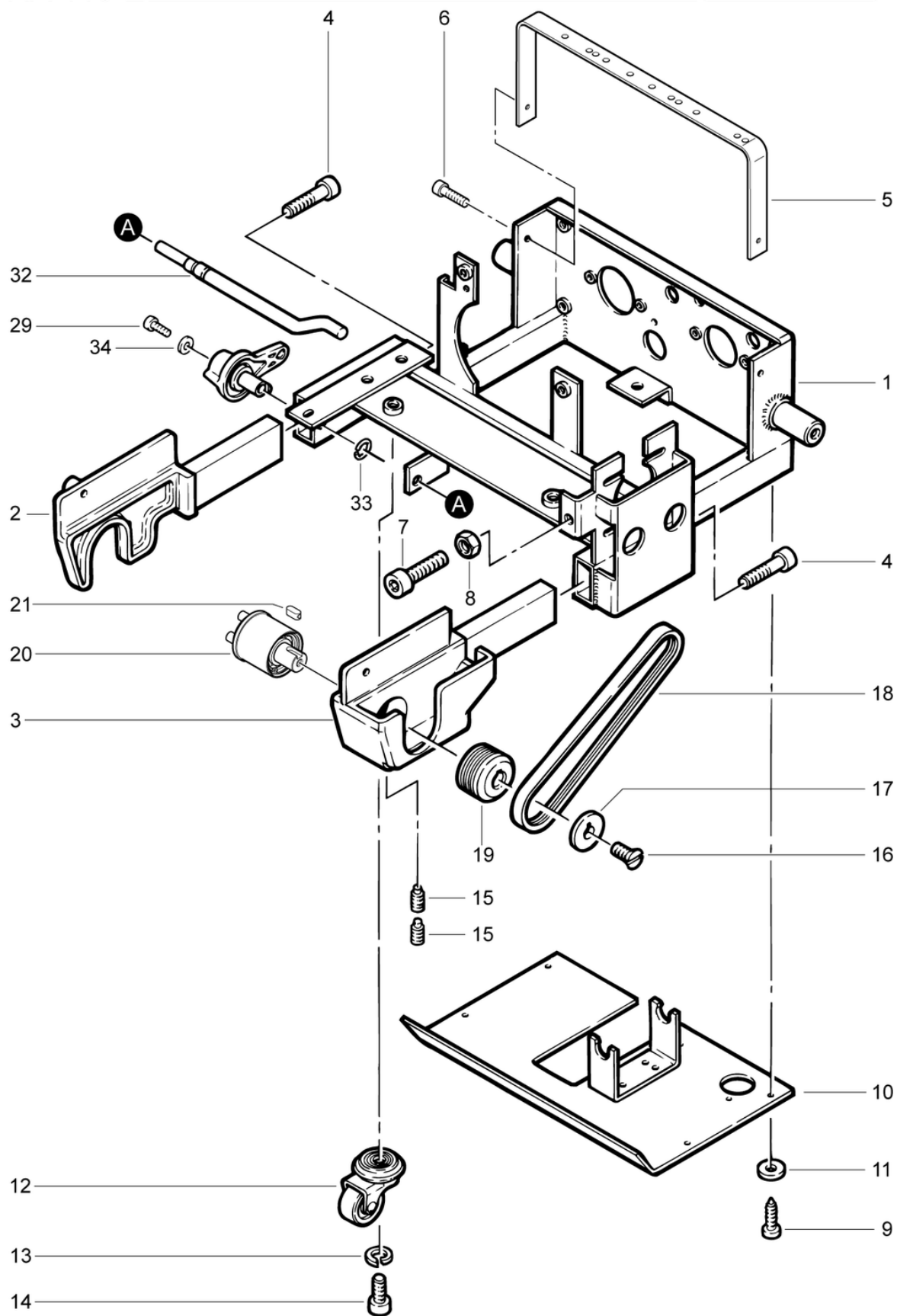
RA410E

Chassis

PDF created on: 15.08.2024 00:17



RA 410 E



RA410E

Chassis

PDF created on: 15.08.2024 00:17

Pos.	Item no.	Spare part
1	411.111	Chassis
2	411.114	Right Support
3	400.113	Left rail holder machined
4	P486T	Screw DIN 912 M6 x 25
5	420.352	Frame
6	P486A	Screw DIN 912 M4 x 12
7	P487D	Screw DIN 912 M8 x 25
8	P490E	Nut DIN 934 M8
9	P483G	Screw DIN 7981 C 2,9 x 9,5
10	411.800	Bottom plate
11	P497B	Shim DIN 9021 M3 3,2/9/0,8 A2
12	P205B	Castor Ø 50mm
13	P498E	Ring DIN 127 B M10 10,2/18,1/2,2
14	P487H	Screw DIN 912 M10 x 20
15	P482Z	Pin DIN 914 M5 x 5 A2
16	P487U	Screw DIN 7991 M6 x 12
17	P499	Mounting plate 30 x 3 kpl.
18	420.425	Poly-V drive belt
19	400.415	Pulley ø 42 x 22mm
20	400.405	Brush axle complete
21	400.420	Wedge
29	P488D	Screw DIN 912 M4 x 8
32	411.140	Squeegee Lift Shaft Complete
33	P499X	Shim BN 813 6,35/12,9/0,7
34	P496H	Shim DIN 125 A M5 5,3/10/1

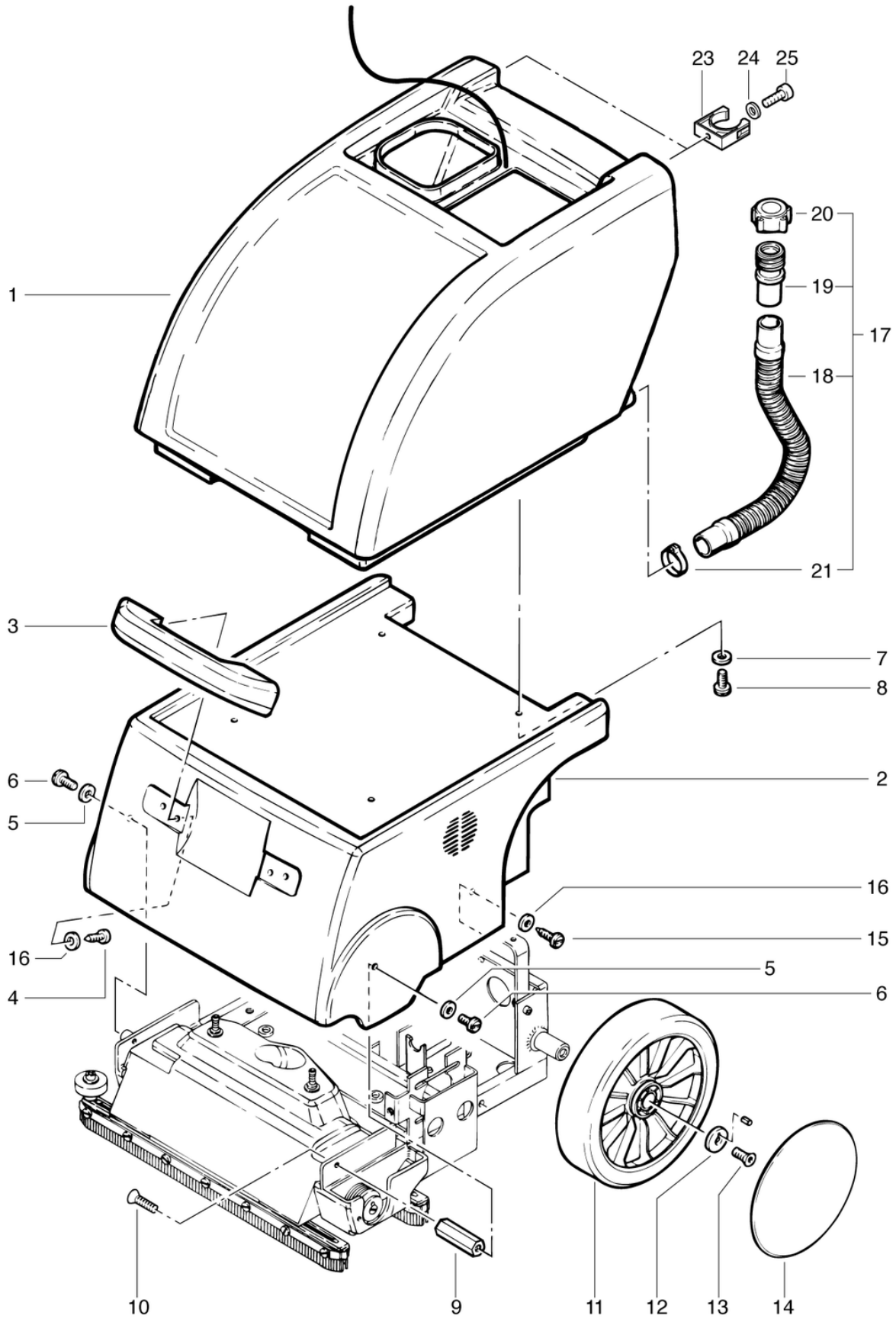
RA410E

Tank

PDF created on: 15.08.2024 00:17



RA 410 E



RA410E

Tank

PDF created on: 15.08.2024 00:17

Pos.	Item no.	Spare part
1	411.721	Tank RA480E
2	411.711	- chassis cover
3	077.560	Hopper handle anthracite grey
4	P516Q	Screw WN 1452 K50 x 18
5	P497E	Shim DIN 9021 M5 5,3/15/1,2 A2
6	P475I	Screw DIN 85 A M5 x 12 A2
7	P497H	Washer DIN 9021 M6 6,4/18/1,6 A2
8	P475T	Screw DIN 85 A M6 x 12
9	411.118	Distance piece SW 12x45
10	P480B	Screw DIN 963 M5 x 10 A2
11	530.240	wheel ø226 x 53 including bearings
12	P499	Mounting plate 30 x 3 kpl.
13	P487U	Screw DIN 7991 M6 x 12
14	530.242	Wheel Cover Red
15	P482L	Screw DBN 1014 4,8 x 13
16	P496G	Shim DIN 9021 M5 5,3/15/1,2
17	480.740	Discharge Hose
18	480.741	Discharge Hose
19	500.409A	Hose sleeve 45 x 25 x 80mm
20	432.110	Cover for Execution
21	P553R	Hose clamp 039.6-706R
23	P109A	Hose holder anthracite
24	P497G	Washer DIN 125 A M5 5,3/10/1 A2
25	P488F	Screw DIN 912 M5 x 14 A2

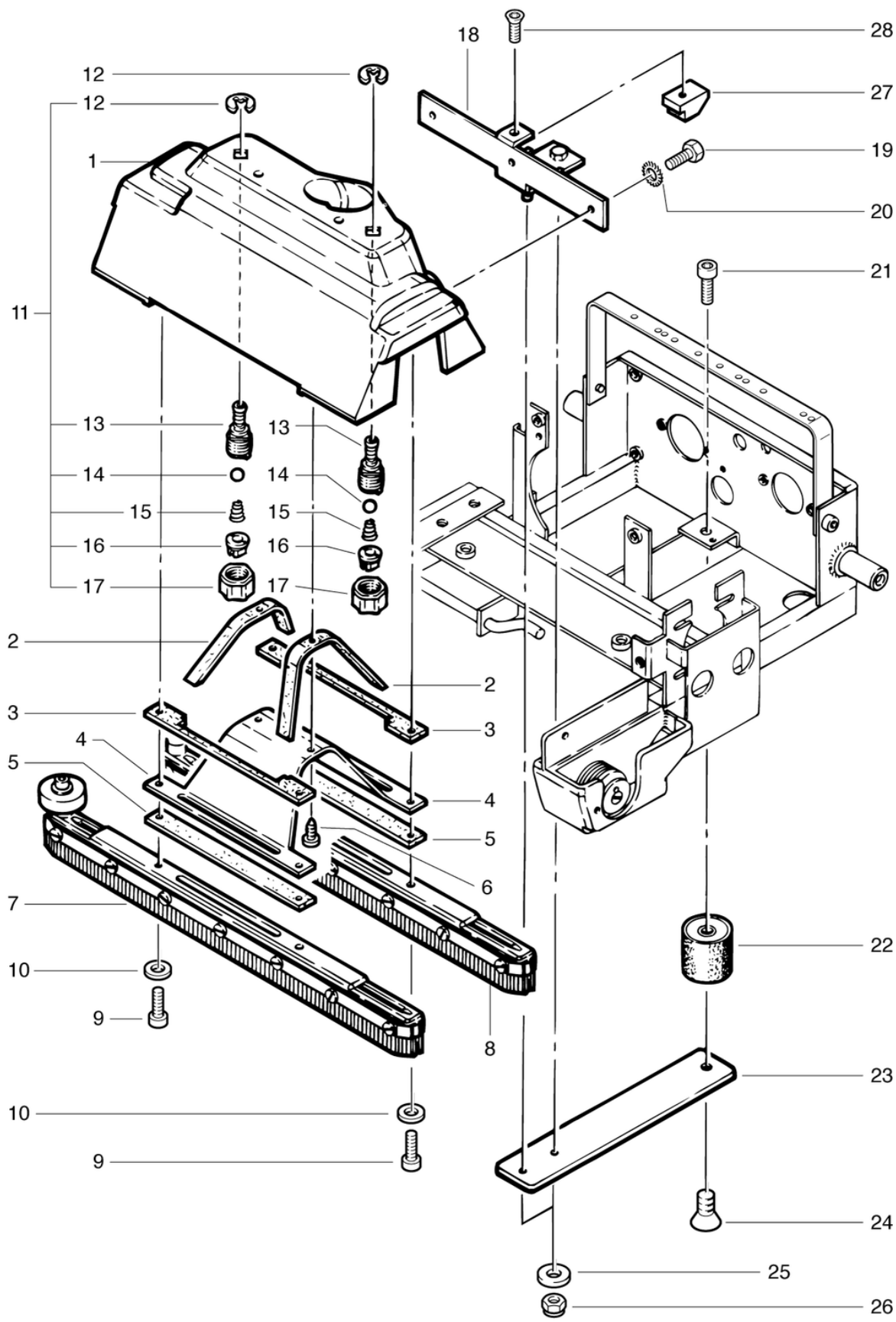
RA410E

Suction nozzle

PDF created on: 15.08.2024 00:17



RA 410 E/B



RA410E

Suction nozzle

PDF created on: 15.08.2024 00:17

Pos.	Item no.	Spare part
1	400.510	Suction Nozzle
2	400.561	Top seal 200 x 10 x 3mm
3	400.561A	Top seal 190 x 18 x 3mm
4	400.560	Cover plate 219.6 x 190 x 2mm
5	400.563	Bottom seal 190 x 18 x 3mm
7	400.520	RA400 Front Suction Nozzle
8	400.530	RA400 Rear Suction Nozzle
9	P488F	Screw DIN 912 M5 x 14 A2
10	P497G	Washer DIN 125 A M5 5,3/10/1 A2
11	400.550	Spray nozzle cpl.
12	P499N	Shim DIN 6799 9/18,8/1,1 A2
13	P602E	Nozzle holder
14	P172W	Ball ø7.14 for spray nozzle PA6.6
15	P444E	Compression spring 0.5/10.1;7/12
16	P602G	Red spray nozzle
17	P602D	Union nut 3/8
18	400.394	Nozzle holder
19	P470H	Screw DIN 933 M5 x 12
20	P498D	Washer DIN 6798 M5 5,1/9/0,5 A2
21	P487A	Screw DIN 912 M8 x 10
22	420.393	Round buffer M8 I-thread, ø30 x 30, M8 I-thread
23	411.396	Arch 262x45x5
24	P479R	Screw DIN 7991 M8 x 12
25	P496G	Shim DIN 9021 M5 5,3/15/1,2
26	P493G	Nut DIN 985 M5
27	411.391	Glider
28	P480C	Screw DIN 963 M4 x 8 A2

RA410E

Front suction nozzle

PDF created on: 15.08.2024 00:17

Pos.	Item no.	Spare part
1	400.520	RA400 Front Suction Nozzle
2	400.530	RA400 Rear Suction Nozzle
4	400.538	RA400 Water suction nozzle
5	400.050	Squeegee Set cpl.
7	400.534	Holding plate
8	P475V	Screw DIN 85 A M4 x 10 A2
10	400.521	Deflector roll 40 x 10
11	400.522	Spacer sleeve 8 / 5.5 x 10.5mm
12	P497E	Shim DIN 9021 M5 5,3/15/1,2 A2
13	P488G	Screw DIN 912 M5 x 16 A2
14	400.505	Sealing String

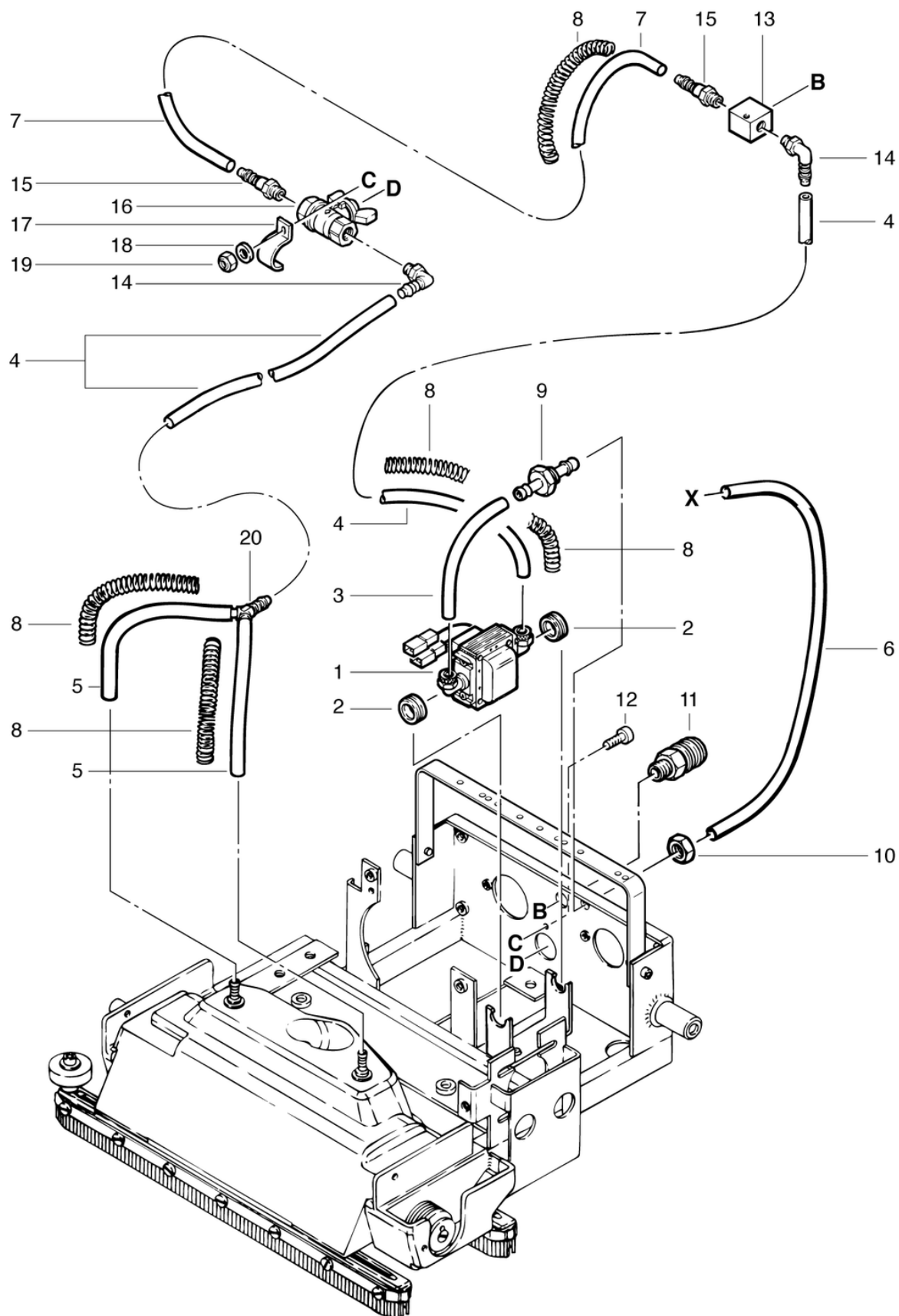
RA410E

Pump assembling

PDF created on: 15.08.2024 00:17



RA 410 E



RA410E

Pump assembling

PDF created on: 15.08.2024 00:17

Pos.	Item no.	Spare part
1	P812	NDS-C Pump 230V/50Hz
2	P207A	Grommet
3	400.261A	Hose \varnothing 8 / 6 x 0.17m
4	400.262	Pressure hose \varnothing 8 / 6 x 0.34m
5	400.261	Pressure hose \varnothing 8 / 6 x 0.12m
6	480.341	Hose
7	400.341	Ansaugschlauch \varnothing 8 / 6 x 0,21m
8	900.162A	Compression spring 0.8 / 9.5 / 120
9	400.342	Double nipple
11	P500B	Quick coupling 1/4 AG, large brass
12	P488B	Screw DIN 912 M5 x 12 A2
13	480.353	Distribution piece RA410E
14	P541E	Angled nipple 6R 1/8''
15	P540B	Straight nipple GES NW6 / R1 / 8
16	P508B	Ball tap
17	450.336A	Ball Tap Holder
18	P496H	Shim DIN 125 A M5 5,3/10/1
19	P493G	Nut DIN 985 M5
20	P542D	Y-piece 6mm

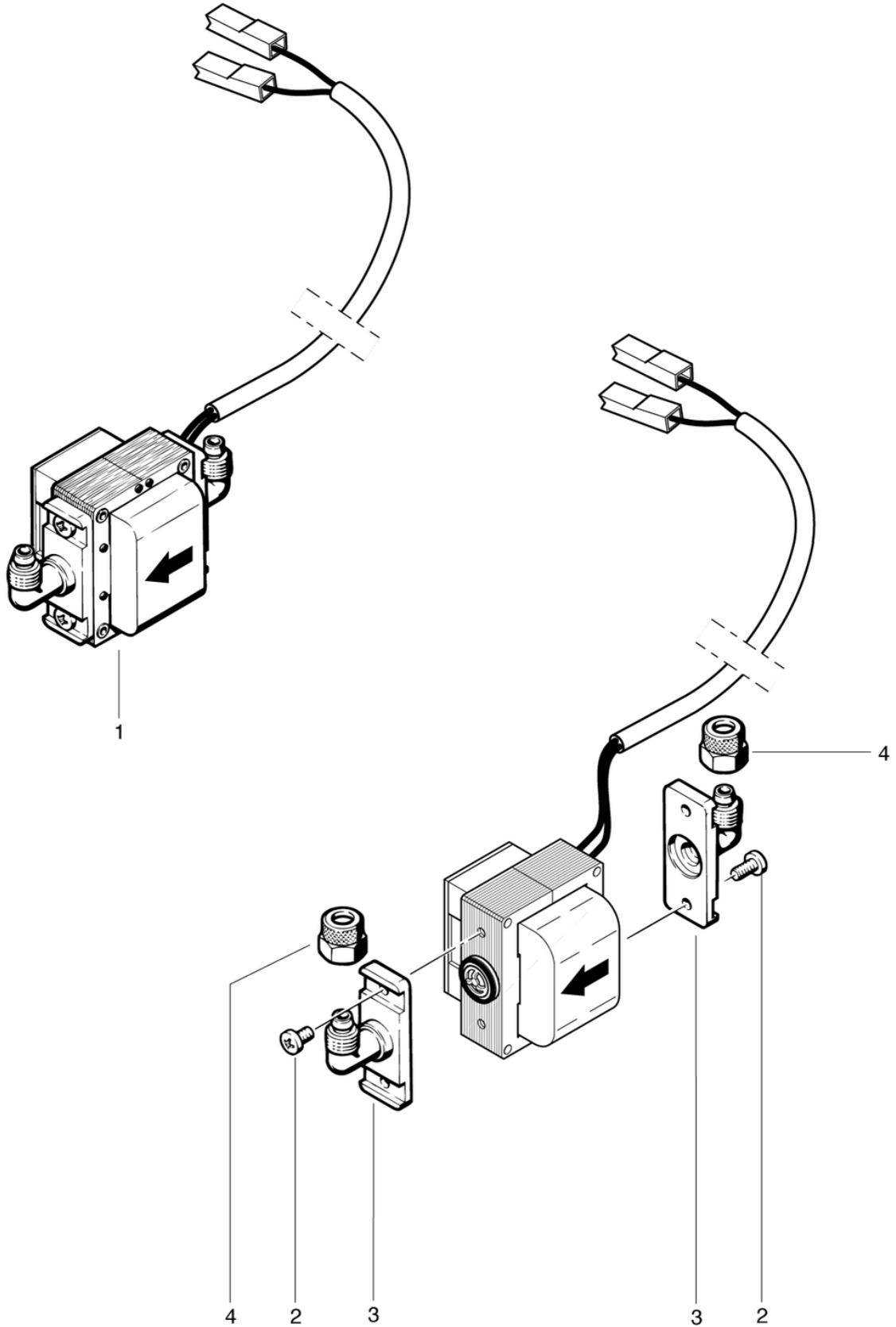
RA410E

Pump

PDF created on: 15.08.2024 00:17



RA 410 E



RA410E

Pump

PDF created on: 15.08.2024 00:17

Pos.	Item no.	Spare part
1	P812	NDS-C Pump 230V/50Hz
2	P481M	Screw DIN 7985 M4 x 10 A2
3	P810M	Angled fitting NW 6
4	P523G	Hex nut M 12x1

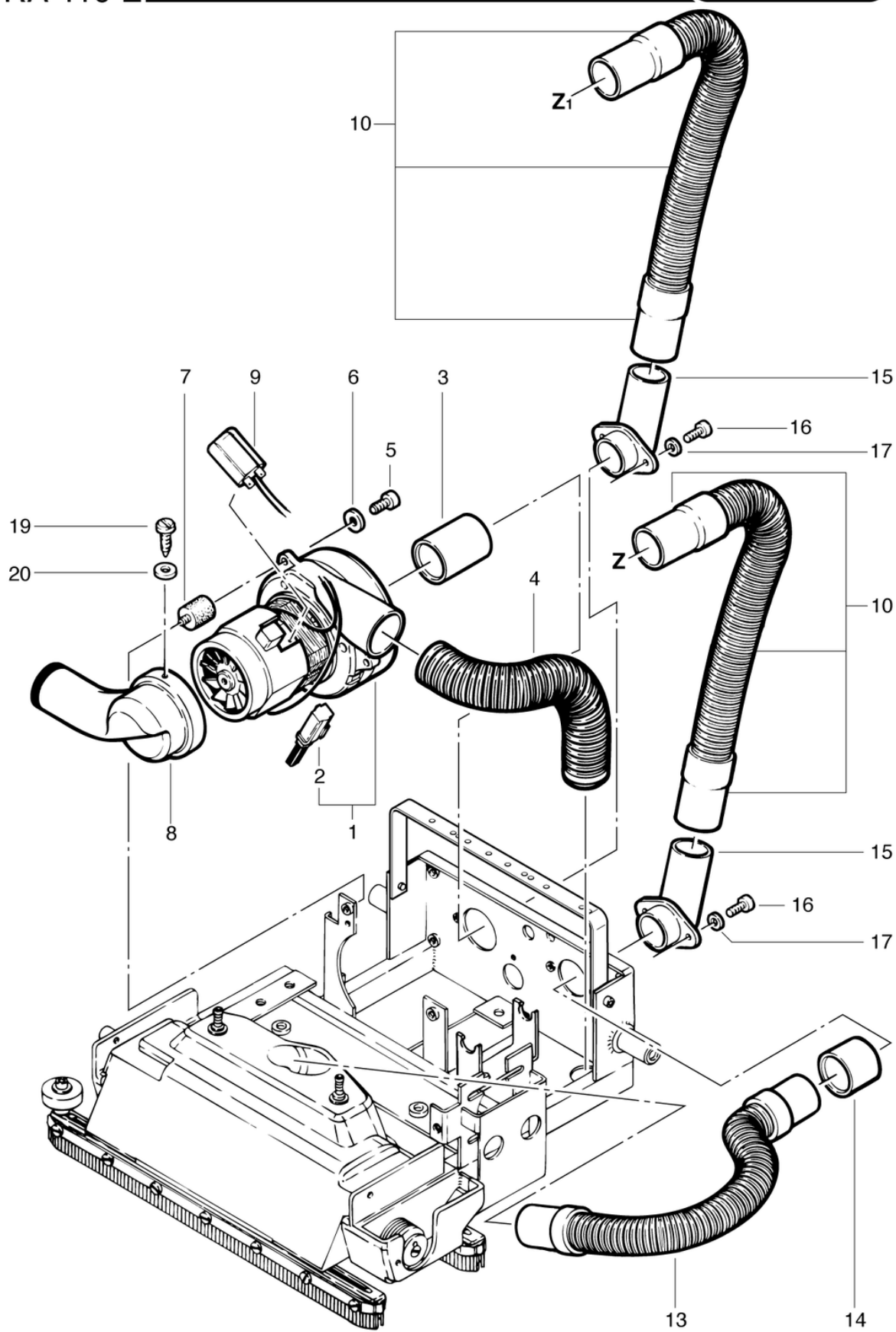
RA410E

Suction motor

PDF created on: 15.08.2024 00:17



RA 410 E



RA410E

Suction motor

PDF created on: 15.08.2024 00:17

Pos.	Item no.	Spare part
1	400.211	Suction motor 230 V / 50-60 Hz, 800 W
2	P870KB	Carbon brushes (pair) OEP
3	411.215	Connection piece
4	400.227	Isolation hose 0.28m
5	P486R	Screw DIN 912 M6 x 16
6	P497H	Washer DIN 9021 M6 6,4/18/1,6 A2
7	400.217	Round buffer M6 x 8, ø 20 x 25
8	420.361	Tube
9	P387C	15uF
10	411.770	Hose 0.65m NW 32 including sleeve
13	500.408A	Suction Hose NW 32x540mm
14	400.224	Sleeve
15	420.220	Connection piece
16	P486A	Screw DIN 912 M4 x 12
17	P496C	Shim DIN 9021 M4 4,3/12/1
19	P483H	Screw DIN 7981 C 2,9 x 6,5 A2
20	P497B	Shim DIN 9021 M3 3,2/9/0,8 A2

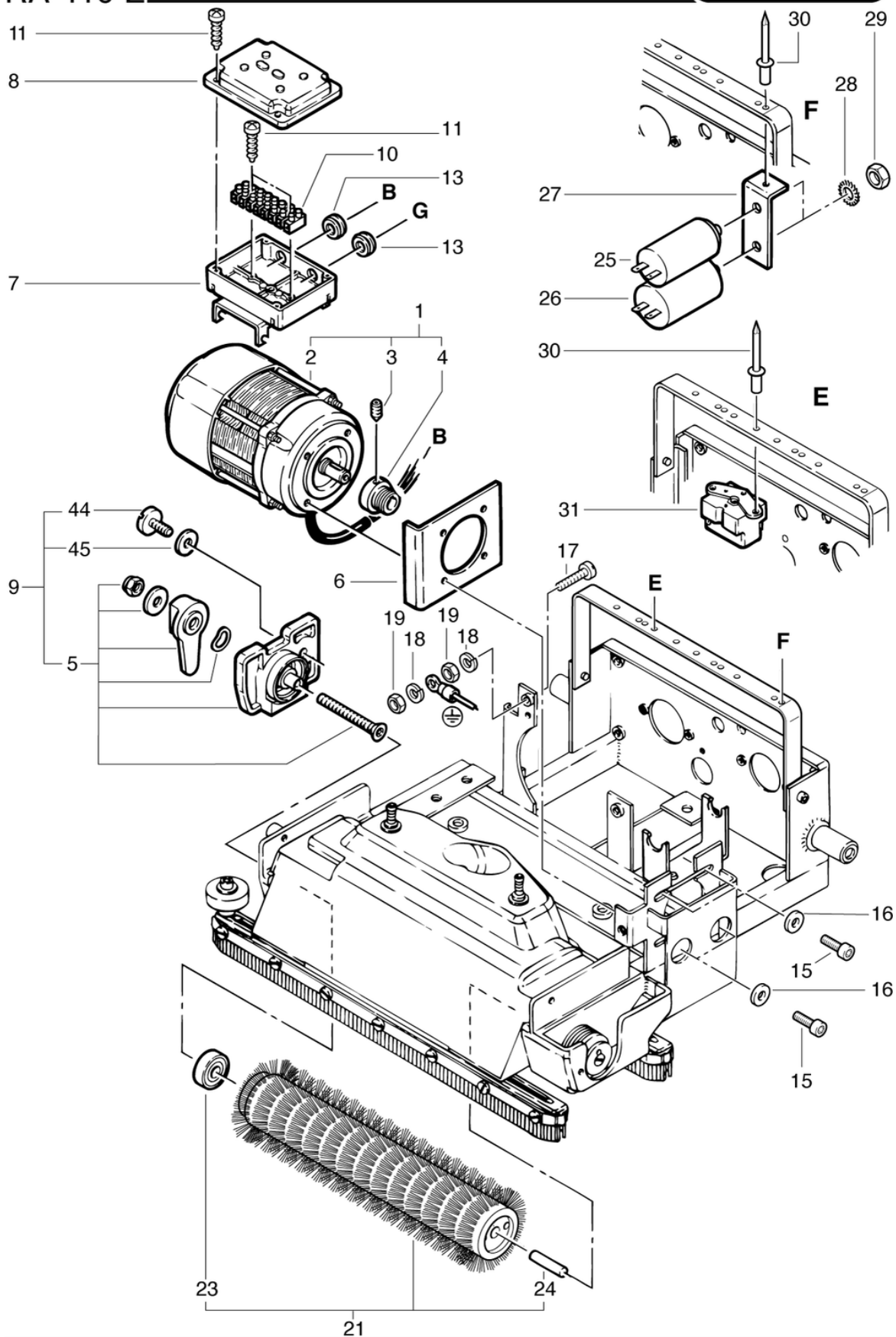
RA410E

Brush motor

PDF created on: 15.08.2024 00:17



RA 410 E



RA410E

Brush motor

PDF created on: 15.08.2024 00:17

Pos.	Item no.	Spare part
1	400.281	Brush motor 230 V /50 Hz 370 W cpl.
2	400.281A	Brush motor 230 V /50 Hz 370 W
3	P484Y	Threaded pin Stift DIN 915 M6 x 10
4	400.284	Drive Pulley
5	400.460	Brush holder cpl.
6	400.291	Motor Holder plate
7	400.320A	Distribution box cpl.
8	P379A	Terminal box cover
9	400.450	Brush Support Complete
10	P383M	Screw terminal with DS, 9 P. 2.5mm
11	P516S	Screw WN 1452 K30 x 14
13	P408K	Rabber clamp DA 11/14/3
15	P486I	Screw DIN 7984 M5 x 16 galvanized
16	P496G	Shim DIN 9021 M5 5,3/15/1,2
17	P478L	Screw DIN 84 M4 x 20 Ms
18	P498A	Ring DIN 127 B M4 4,1/7,6/0,9 CuSn
19	P491Q	Nut DIN 934 M4 brass
21	400.470	Roller brush 330mm black compl.
23	P316D	Deep groove ball bearing 6201 2RSR ø32 / 12 x 10
24	400.478	Centrepin 8 x 28mm
25	P385B	Capacitor 12uF, 450V
26	P385E	Capacitor 20uF, 450VAC
27	480.185	Angled holder for capacitor
28	P499E	Shim DIN 6798 M8 8,4/15/0,8 A2
29	P490E	Nut DIN 934 M8
30	P485C	Rivet Pop Standard 4.0 x 8.0 Alu / St
31	420.331	Relay
44	400.475	Special Screw 18x20
45	P497E	Shim DIN 9021 M5 5,3/15/1,2 A2

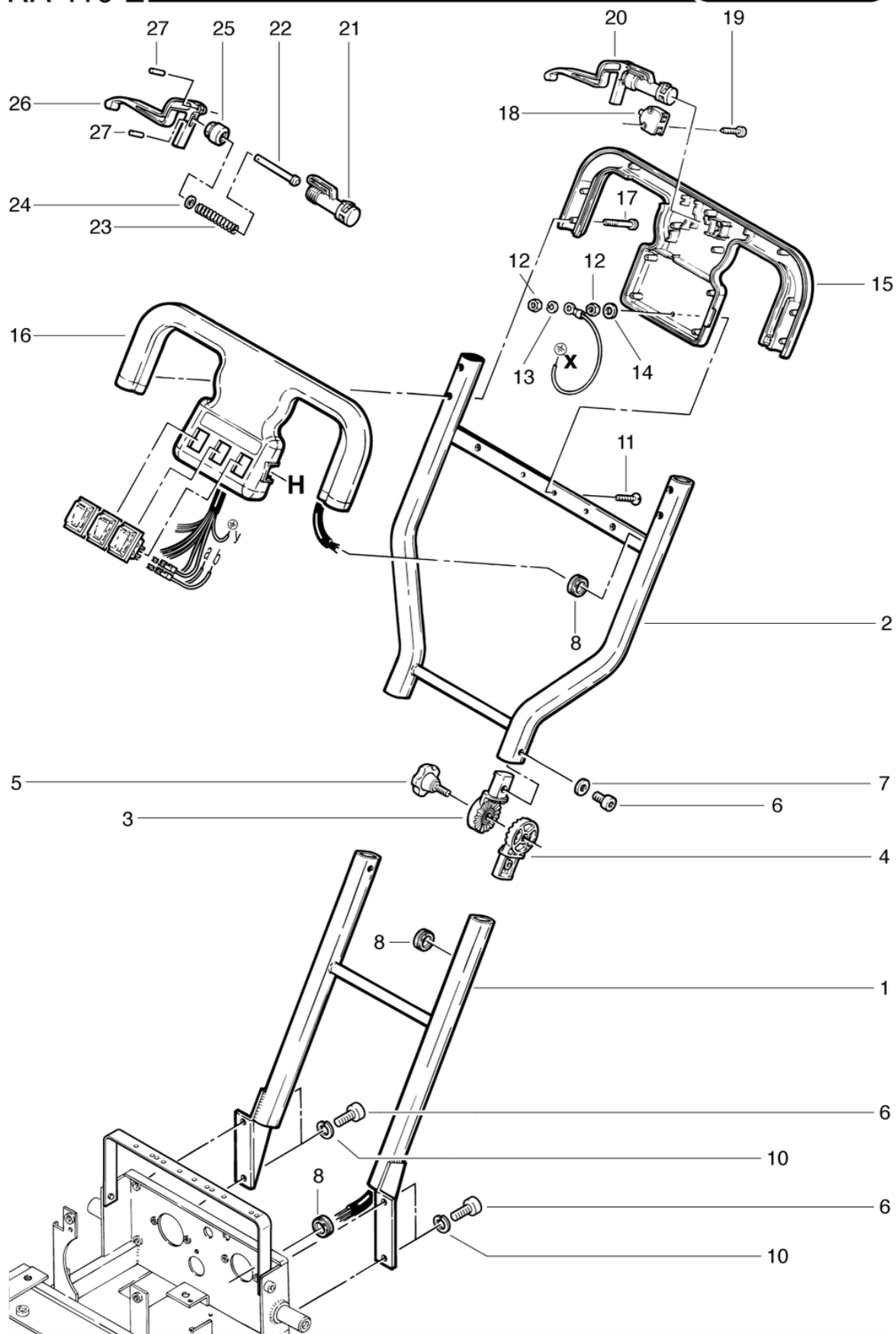
RA410E

Lower pushbar

PDF created on: 15.08.2024 00:17



RA 410 E



RA410E

Lower pushbar

PDF created on: 15.08.2024 00:17

Pos.	Item no.	Spare part
1	480.652	Lower Push Arm
2	480.650	- upper pushbar
3	420.601	Upper Joint
4	420.602	Lower Joint
5	P253	Star grip Ø39.5 M6 x 25
6	P486Q	Screw DIN 912 M6 x 12 A2
7	P497H	Washer DIN 9021 M6 6,4/18/1,6 A2
8	P207A	Grommet
10	P498U	Ring DIN 127 B M6 6,1/11,8/1,6 A2
11	P481E	Screw DIN 963 M4 x 14 Ms
12	P491Q	Nut DIN 934 M4 brass
13	P498A	Ring DIN 127 B M4 4,1/7,6/0,9 CuSn
14	P496C	Shim DIN 9021 M4 4,3/12/1
15	400.615	Lower Handle Housing
16	400.611	Upper Handle Housing
17	P516B	Screw WN 1452 K30 x 30
18	P242	Push button switch 1 Pole
19	P516E	Screw WN 1451 K30 x 20
20	400.620	Lever Complete
21	400.622	Valve Body
22	P681D	Valve pin compl.
23	P681E	Valve spring
24	P497G	Washer DIN 125 A M5 5,3/10/1 A2
25	P681B	Union nut
26	400.621	Valve Lever
27	P681K	Cylindrical pin 1,5/14,5

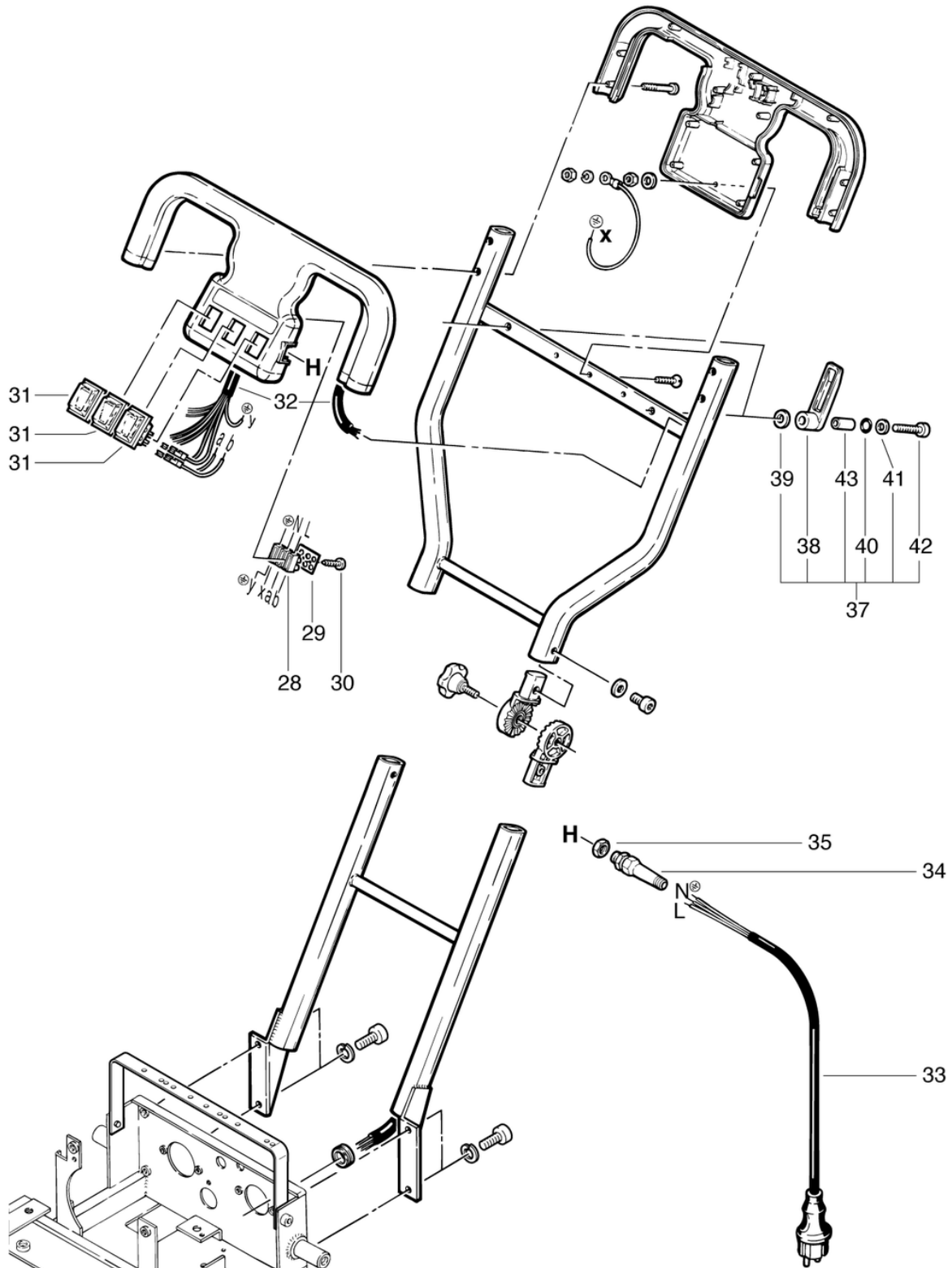
RA410E

Lower pushbar

PDF created on: 15.08.2024 00:17



RA 410 E



RA410E

Lower pushbar

PDF created on: 15.08.2024 00:17

Pos.	Item no.	Spare part
28	P383A	Screw terminal with DS 3-pol. 2.5mm ²
29	P390	Marking plate
30	P516S	Screw WN 1452 K30 x 14
31	P240	Rocker switch orange 230V
33	P400B	Connector cable 680mm VDE, black
34	P280D	Cable attachment
35	P279H	Lock nut PG9 brass nickel-plated
37	P087	Catch for cable black cpl.
38	P087A	Catch for cable black
39	P497H	Washer DIN 9021 M6 6,4/18/1,6 A2
40	P088	O-Ring 8,73/1,78 NBR
41	P497K	Washer DIN 125 A M6 6,4/12/1,6 A2
42	P488S	Screw DIN 912 M6 x 30 A2
43	P087B	Distance sleeve Ø8/6,2 x 18,8mm

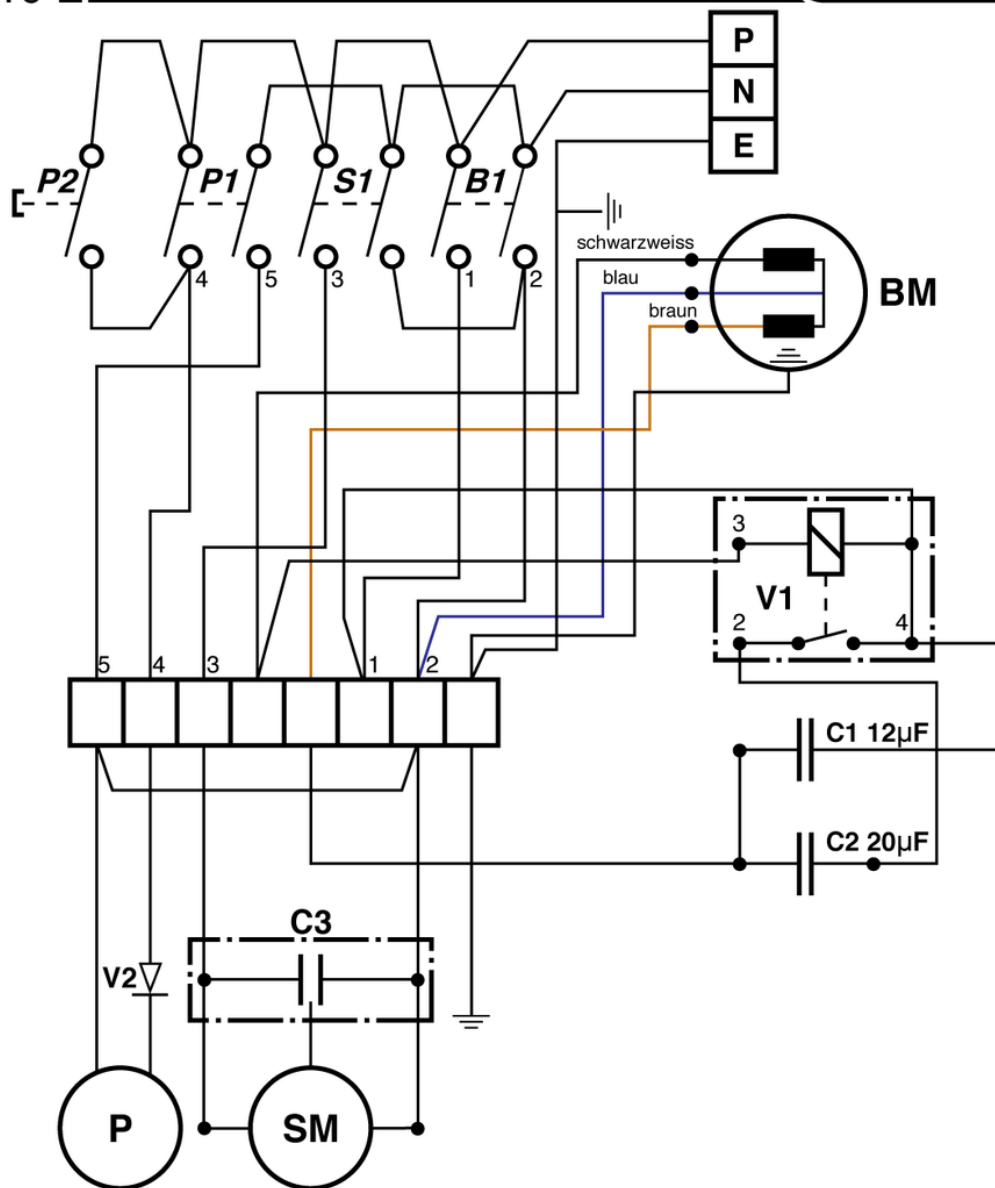
RA410E

Wiring diagram

PDF created on: 15.08.2024 00:17



RA 410 E



- P1 = Schalter Pumpe für Dauerbetrieb / Interrupteur pour pompe fonctionnement constante / Main switch for continuous functioning
- P2 = Schalter Pumpe für sporadischen Betrieb / Interrupteur pour pompe fonctionnement interrompé / Main switch for interrupted functioning
- S1 = Schalter Saugmotor / Interrupteur pour moteur d'aspiration / Main switch for vacuum motor
- B1 = Schalter Bürstmotor / Interrupteur pour moteur de brosse / Main switch for brush motor
- C1 = Betriebskondensator 12 µF / Kondensateur de marche 12 µF / Working capacitor 12 µF
- C2 = Anlasskondensator 20 µF / Kondensateur de mise en marche 20 µF / Starting capacitor 20 µF
- C3 = Entstörkondensator 0,47 µF / Condensateur 0,47 µF / Capacitor 0,47 µF
- V1 = Relais / Relay
- V2 = Diode / Diode / Diode
- BM = Bürstmotor / Moteur de brosse / Brush motor
- P = Pumpe / Pompe / Pump
- SM = Saugmotor / Moteur d'aspiration / Vacuum motor