

CLEANFIX RA435 IBC

Contents

PDF created on: 16.07.2024 09:36

BO- 12.2022



Einbau Stielhalter und Ladegerät Elektronik
Montage du support de manche et du chargeur électronique
Installation stem holder and charger electronics

B 4

Einbau Frischwasserverteilung und Frischwassertank
Installation de la distribution d'eau fraîche et du réservoir d'eau fraîche
Installation of fresh water distribution and fresh water tank

B 1

Schmutzwassertank
Réservoir d'eau sale
Waste water tank

B 2

Einbau Batterie
Montage de la batterie
Installation battery

B 3

Bürstenkopf
Tête de brosse
Brush head

B 7

Griff
Poignée
Handle

B 5

Saugdüse
Suceur
Suction nozzle

B 8

Achse und Laufrad
Axe et roue
Axle and wheel

B 6

Optionen: Transportrad Anbau + Bürstenhalter
Options: fixation de la roue de transport + porte-brosse
Options: transport wheel attachment + brush holder

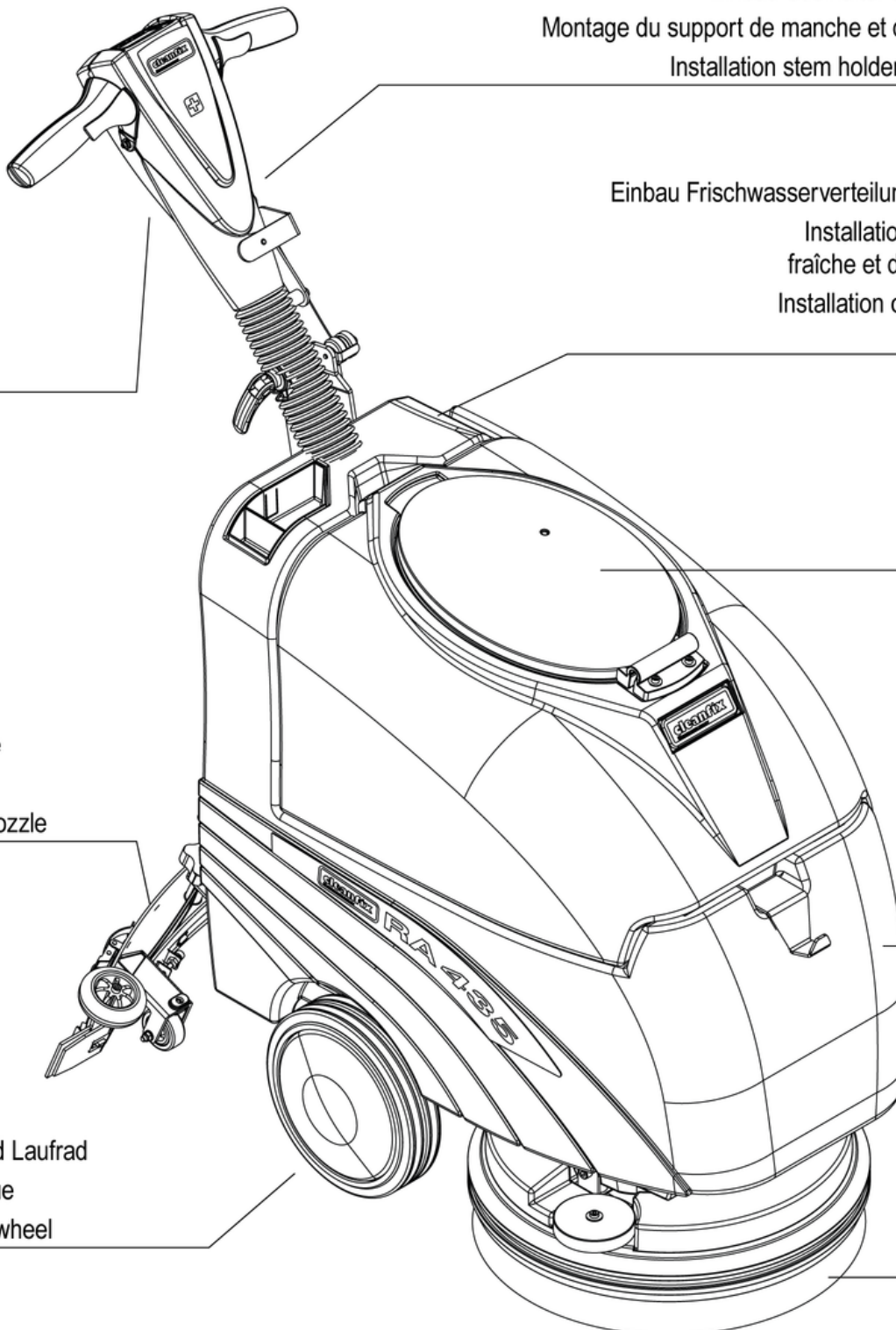
B 10

Option: Wassersaugset
Option: kit d'aspiration d'eau
Option: water suction set

B 11

Stromlaufplan
Diagramme électrique
Wiring diagram

B 9

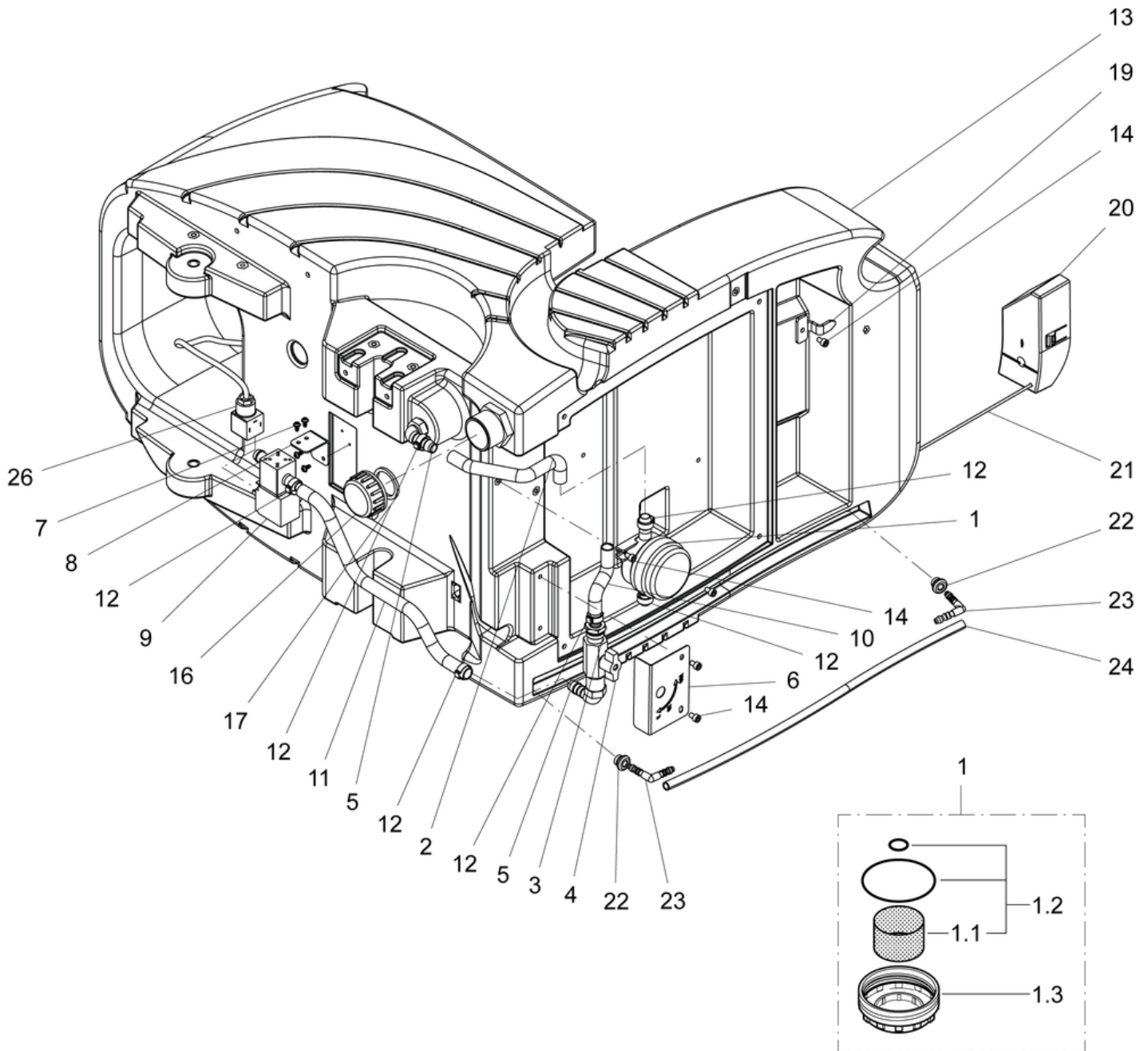


CLEANFIX RA435 IBC

Installation of fresh water distribution and fresh water tank

PDF created on: 16.07.2024 09:36

B1- 12.2022



CLEANFIX RA435 IBC

Installation of fresh water distribution and fresh water

tank

PDF created on: 16.07.2024 09:36

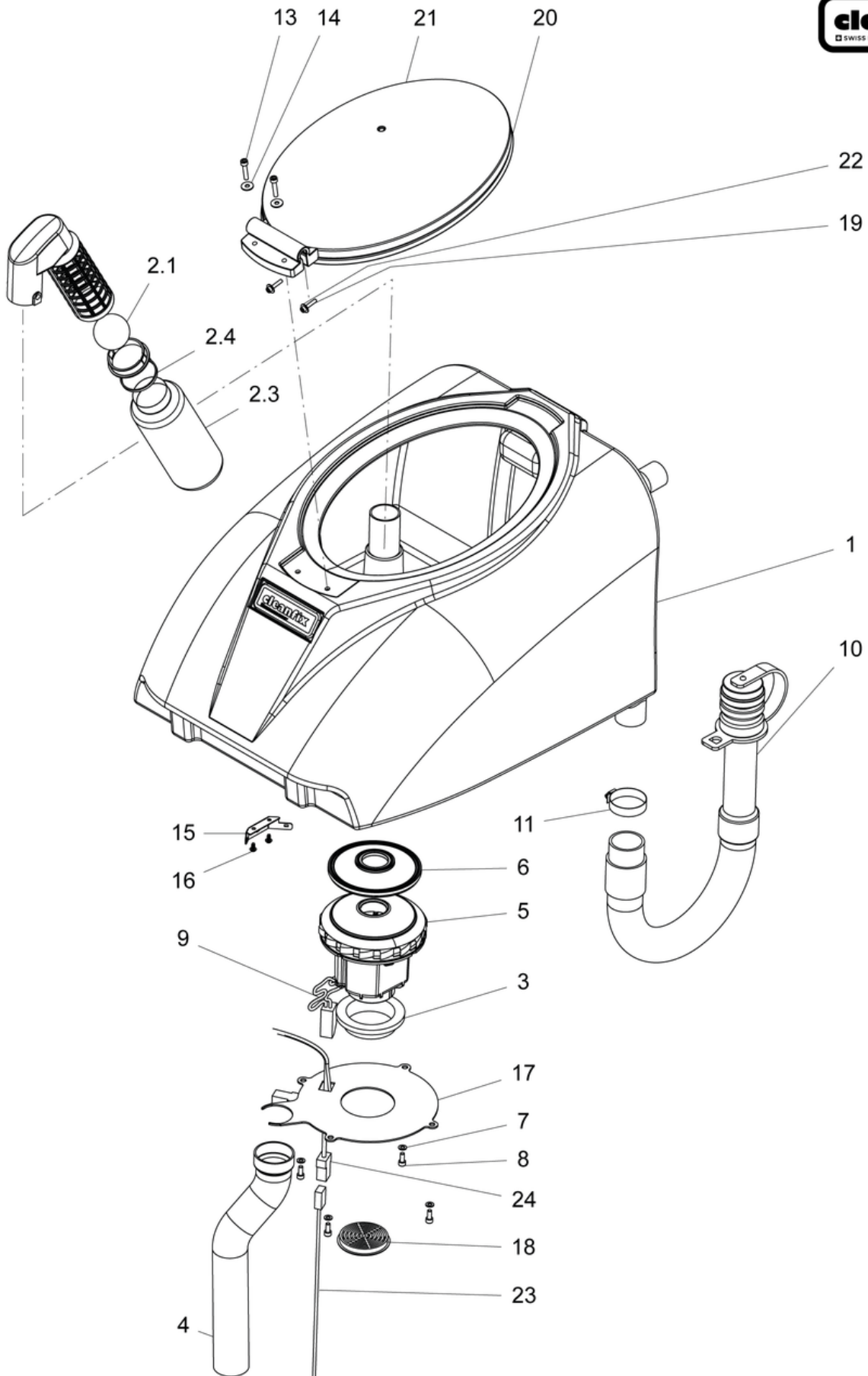
Pos.	Item no.	Spare part
1.1	430.759B	Filter sieve
1.2	430.759A	Filter Assembly
1.3	430.258	Cover to fresh water filter 1/2" + 3/8"
1	430.759	Fresh water filter 1/2"-1/2" mesh 40
2	435.068	Hose to filter
3	P519B	Nipple 1/2
4	500.355A	Ball valve 1/2 I-I thread
5	P541C	Elbow nipple WES 12 / R1 / 2
6	435.069	Ball vale cover
7	P515W	Screw WN 1451 K40 x 8
8	435.104	Solenoid valve holder
9	P258	Magnetic valve 24V
10	435.115	Fresh water filter hose
11	435.105	Hose to valve
12	P550C	Hose clamp 17.0-706R
13	435.1000	Fresh water tank
14	P488E	Screw DIN 912 M5 x 8 A2
16	P077A	Threaded cap 1.1/4" to double nipple
17	500.411	Seal for cover
19	435.108	Hose holder
20	435.086A	fresh water tank filler cap
21	432.750	Holding rope ø3 x 260mm
22	P019	Sealing collar
23	P541O	Elbow nipple WES 6 ø6.4 / ø4.75
24	435.156	PVC hose LW 7 x 1.5 x 473mm
26	435.169	Solenoid valve wiring harness

CLEANFIX RA435 IBC

Waste water tank

PDF created on: 16.07.2024 09:36

B2- 12.2022



CLEANFIX RA435 IBC

Waste water tank

PDF created on: 16.07.2024 09:36

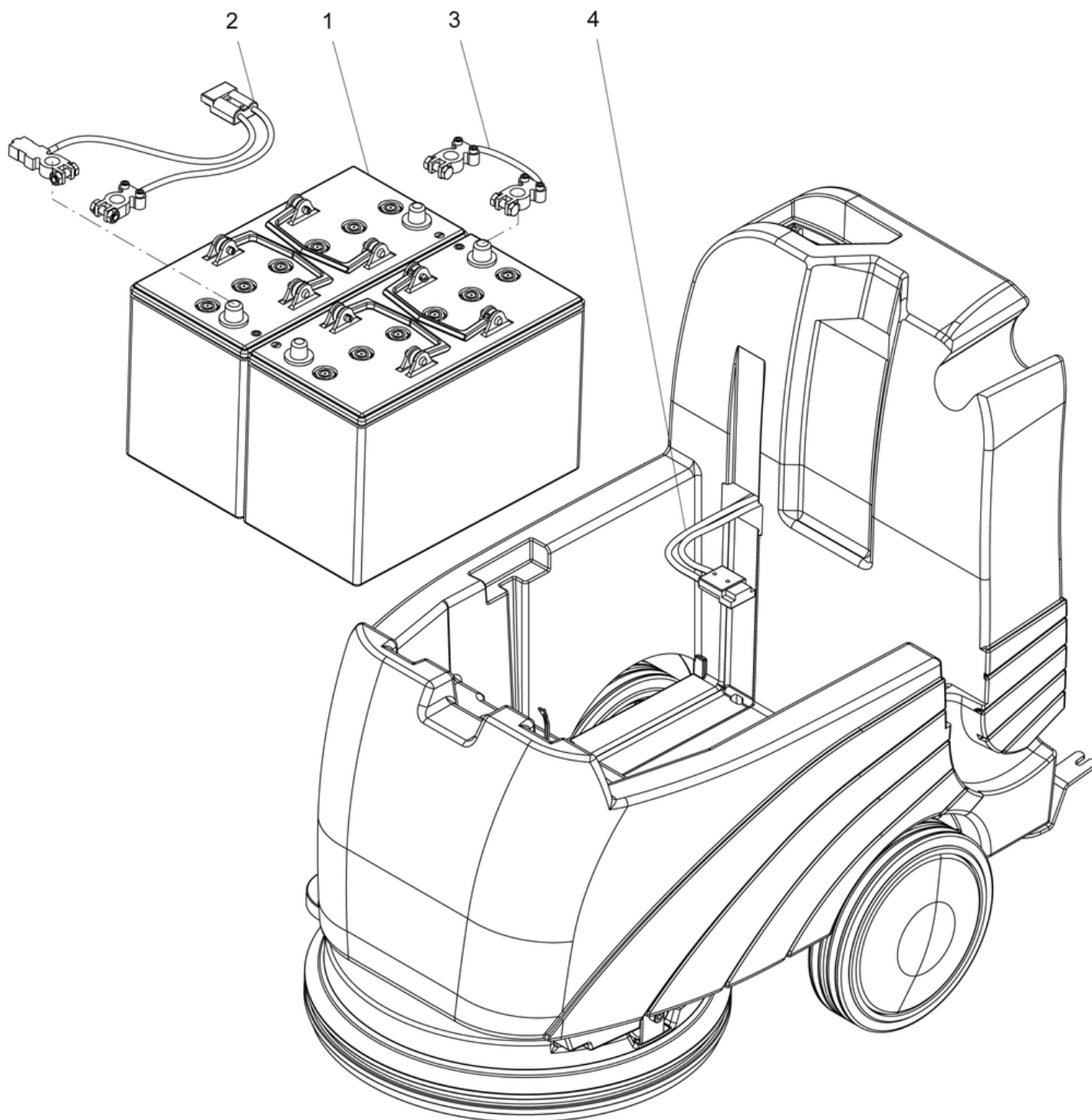
Pos.	Item no.	Spare part
1	435.200A	Dirty water tank red
2.1	432.304	Ball Ø 45 mm
2.3	432.315	Filter Bag
2.4	P609B	Cable tie weatherproof- 3,5 x 200
3	435.096	Seal fan below
4	435.140	Exhaust hose
5	435.094	Suction motor 24V / 450W
6	435.124	Blower bypass seal
7	P496H	Shim DIN 125 A M5 5,3/10/1
8	P488B	Screw DIN 912 M5 x 12 A2
9	435.103	Wiring harness blower dirty water tank
10	P561D	Drain hose with crimp sleeve 0.63m stretch 1:3
11	P206D	Hose clamp 32-50mm/12
13	P488K	Screw DIN 912 M5 x 25 A2
14	P497E	Shim DIN 9021 M5 5,3/15/1,2 A2
15	435.234	Baffle spiral cable
16	P515W	Screw WN 1451 K40 x 8
17	435.067	Sheet
18	P030L	Ventilation grille round Ø 43mm black
19	P488C	Screw DIN 912 M4 x 20 A2
20	435.099	Seal
21	435.098	Hood
22	P497C	Washer DIN 9021-A M4 4,3/12/1 A2
23	435.102	Wiring harness blower fresh water tank
24	435.228	Cable blower

CLEANFIX RA435 IBC

Installation battery

PDF created on: 16.07.2024 09:36

B3- 12.2022



CLEANFIX RA435 IBC

Installation battery

PDF created on: 16.07.2024 09:36

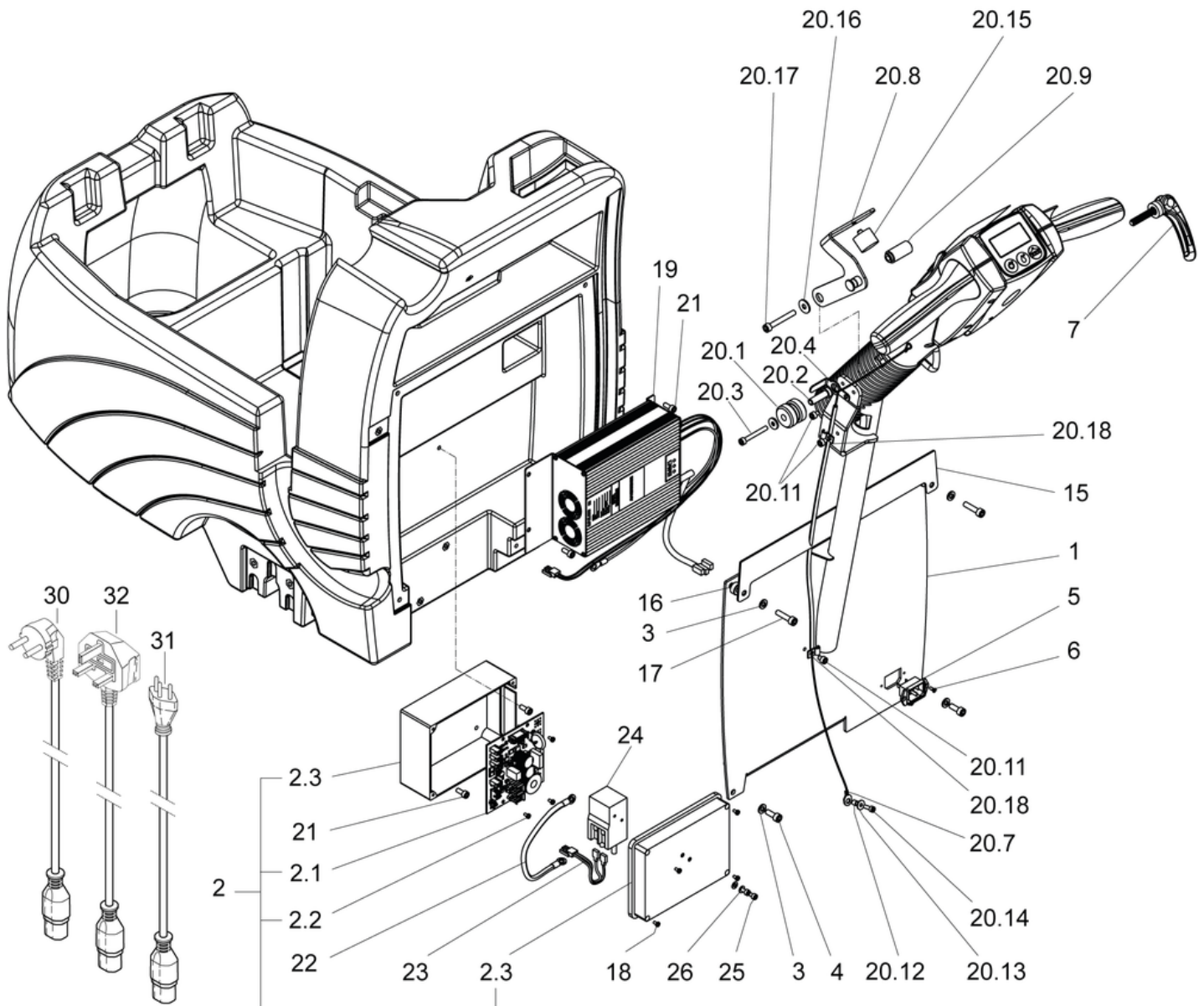
Pos.	Item no.	Spare part
1	500.092	Set of 2 gel batteries à 12 V/85 Ah (C5) Eternity
2	435.168	Battery wiring harness
3	436.985	Battery connection wire 10mm ² , L = 0.16m
4	435.164	Cable harness charging connector

CLEANFIX RA435 IBC

Installation stem holder and charger electronics

PDF created on: 16.07.2024 09:36

B4- 09.2023



CLEANFIX RA435 IBC

Installation stem holder and charger electronics

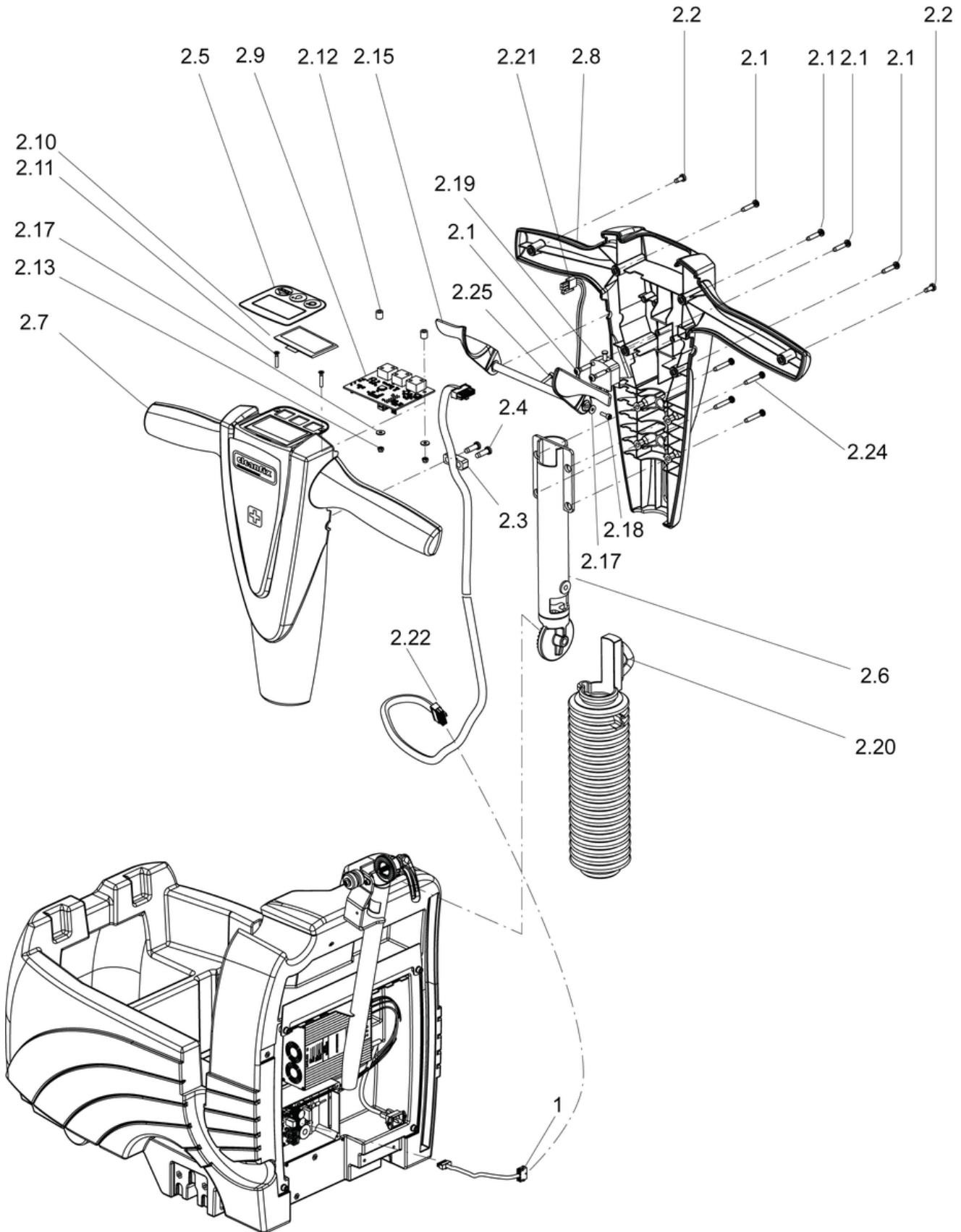
Pos.	Item no.	Spare part
1	435.066	Shaft holder welded
2.1	435.179	Performance print
2.2	P515Y	Screw WN 1452 K30 x 6
2.3	435.349	Machined electrical box
2	435.181	Electronics housing assy
3	P496K	Shim DIN 125 A M6 6,4/12/1,6
4	P486R	Screw DIN 912 M6 x 16
5	438.802	Plug
6	P479VZ	Screw DIN 965 A M3 x 8 A2
7	P253I	Eccentric lever M8x40
15	435.237	Sheet metal storage compartment
16	432.509	Distance ring \varnothing 15/6,5 x 7
17	P486T	Screw DIN 912 M6 x 25
19	435.225	On board charger 24V / 13A
20.1	395.214	cable support
20.2	395.436	Bushing \varnothing 5.2 / 12 x 32
20.3	P486N	Screw DIN 912 M5 x 40 with shaft
20.4	435.407	Draw wire holder Elbow
20.7	435.344	Cable suction nozzle lifting
20.8	435.345	Welded suction nozzle lift lever
20.9	435.346	Lever axis
20.11	P477Q	Screw DIN 912 M5 x 6 St vz
20.12	435.114	Spacer ring 6/4 x 5.6
20.13	P497C	Washer DIN 9021-A M4 4,3/12/1 A2
20.14	P488A	Screw DIN 912 M4 x 12 A2
20.15	435.414	Round buffer M6 x 5, \varnothing 25 x 10mm
20.16	P496L	Shim DIN 9021 M6 6,4/18/1,6
20.17	P488U	Screw DIN 912 M6 x 45 A2K with shaft
20.18	P281A	Fixing clamp 4mm
21	P488B	Screw DIN 912 M5 x 12 A2
22	435.408	Cable control to relay
23	435.232	Wiring harness control to relay
24	535.634	Contactactor
25	P488D	Screw DIN 912 M4 x 8
26	P496D	Shim DIN 125 A M4 4,3/9/0,8
30	436.790	Main cable VDE 3 x 1.00mm ² , black
31	436.791	Cable SEV 3 x 1,00mm ² , black, 2.50m
32	436.792	Connection cable GB 3 x 1,00mm ² , black

CLEANFIX RA435 IBC

Handle

PDF created on: 16.07.2024 09:36

B5- 12.2022



CLEANFIX RA435 IBC

Handle

PDF created on: 16.07.2024 09:36

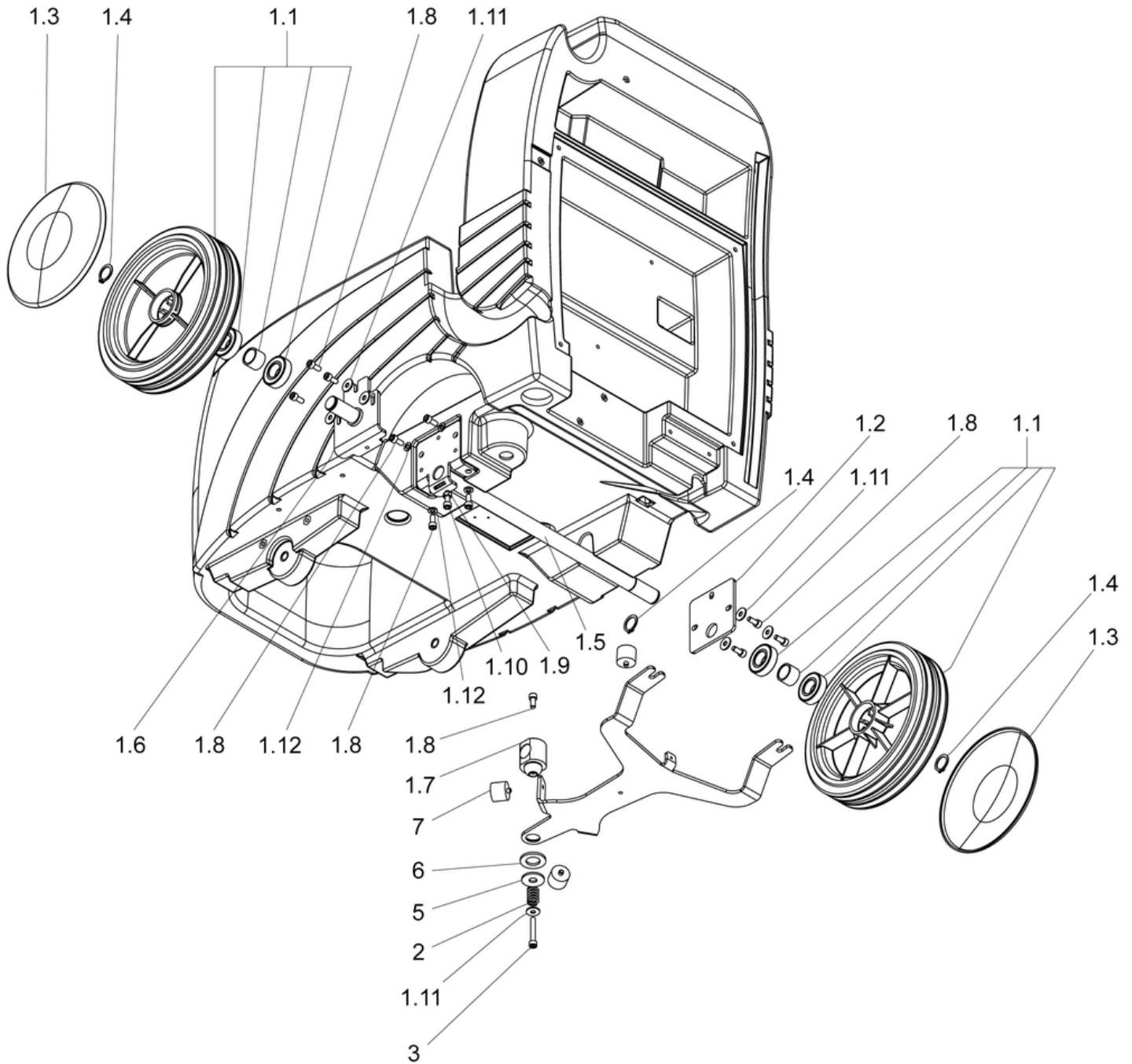
Pos.	Item no.	Spare part
1	435.236	Display cable electrical box
2.1	P515X	Screw WN 1452 K40 x 20
2.2	P475	Screw DIN 7985 M4 x 10 A3K
2.3	4611085	Cable Clamp
2.4	P515Z	Screw WN 1452 K50 x 16
2.5	435.095	Control panel
2.6	435.125	Stem tube top welded
2.7	435.1270	Handle upper part
2.8	435.1260	Handle lower part
2.9	435.150	Display print
2.10	435.151	Display 128 x 64
2.11	P479W	Screw DIN 965 A M3 x 16
2.12	435.153	Spacer sleeve bottom
2.13	P492B	Nut DIN 985 M3 St vz
2.15	435.129	Lever right
2.17	P497J	Shim DIN 9021 M3 3,2/9/0,8
2.18	P487Y	Screw DIN 912 M3 x 10
2.19	710.323	Safety Switch
2.20	435.176	Protective bellows
2.21	435.177	Safety switch wiring harness
2.22	435.134	Cable display print to performance print
2.24	P516O	Screw WN 1452 K40 x 25
2.25	P477D	Screw DIN 912 M3 x 18

CLEANFIX RA435 IBC

Axle and wheel

PDF created on: 16.07.2024 09:36

B6- 12.2022



CLEANFIX RA435 IBC

Axle and wheel

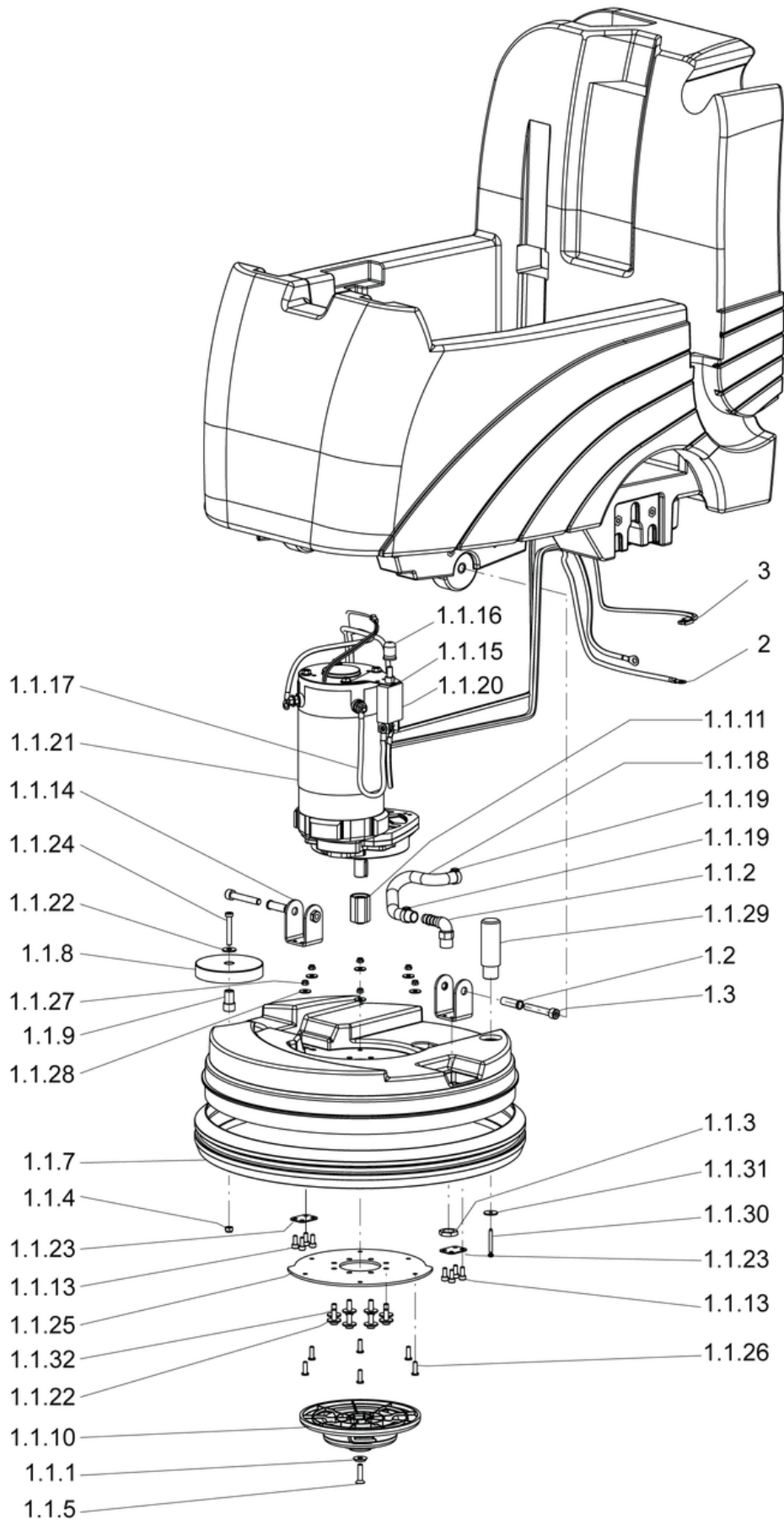
Pos.	Item no.	Spare part
1.1	530.240	wheel \varnothing 226 x 53 including bearings
1.2	435.403	Centering wheel axle
1.3	530.242	Wheel Cover Red
1.4	P513EA	Ring DIN 471 20/1,2 A2
1.5	435.395	Fixed wheel axle
1.6	435.394	Wheel axle
1.7	432.063A	Ball stud rustproof
1.8	P486QA	Screw DIN 912 M6 x 14 A2
1.9	P491E	Nut DIN 934 M6 A2
1.10	P489K	Screw DIN 912 M6 x 20 A2
1.11	P497H	Washer DIN 9021 M6 6,4/18/1,6 A2
1.12	P497K	Washer DIN 125 A M6 6,4/12/1,6 A2
2	432.083	Spring VD-284 2.5 / 15/22
3	P486Y	Screw DIN 912 M6 x 40 A2 with shaft
5	P496S	Washer DIN 9021 M10 10,5/30/2,5 A2
6	P510G	Washer DIN 125 M18 19/34/3 A2
7	435.334	Round buffer M6 x 5, \varnothing 25 x 20mm

CLEANFIX RA435 IBC

Brush head

PDF created on: 16.07.2024 09:36

B7- 12.2022



CLEANFIX RA435 IBC

Brush head

PDF created on: 16.07.2024 09:36

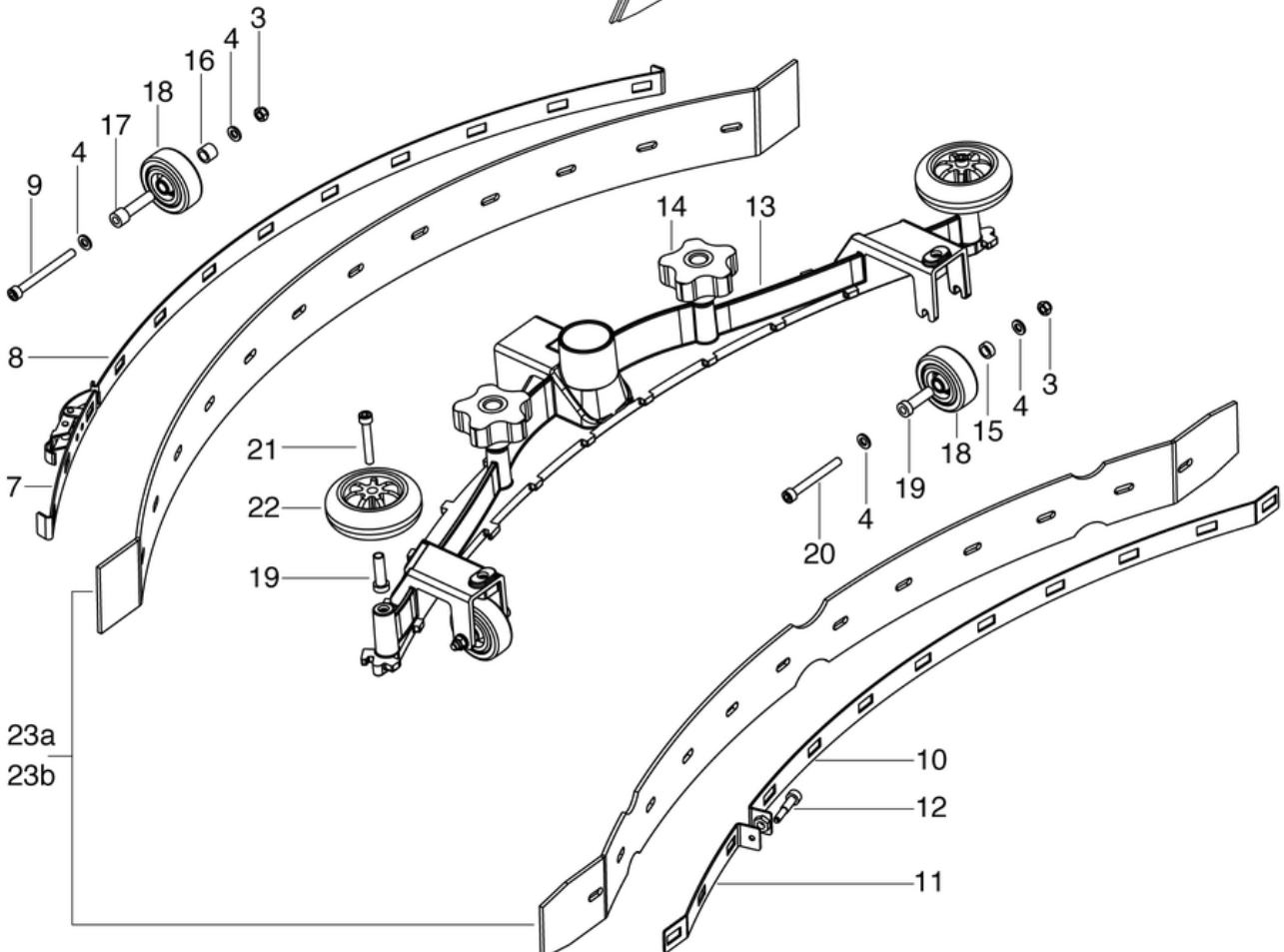
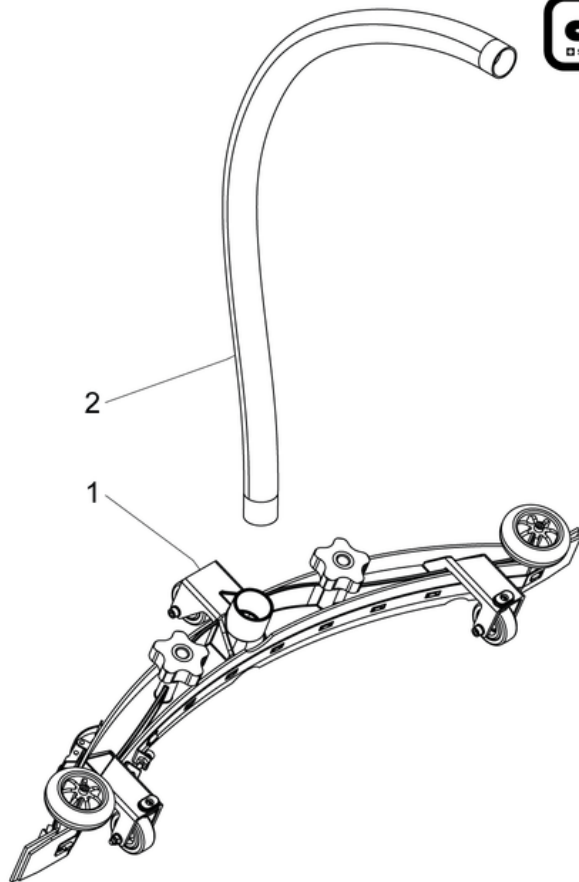
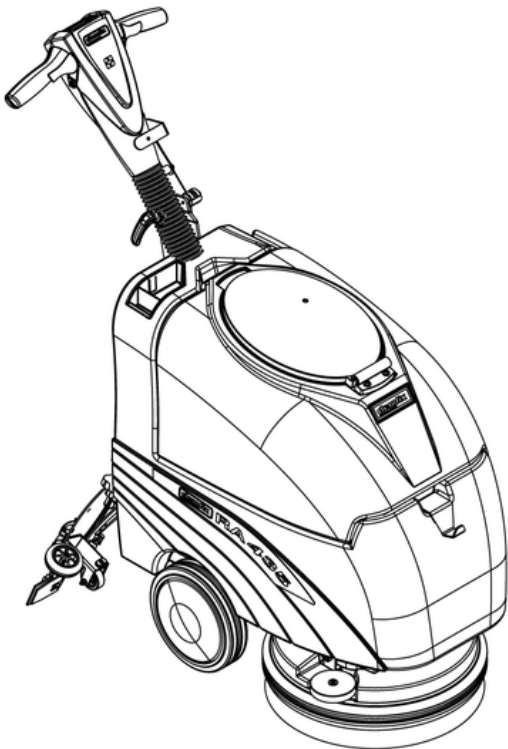
Pos.	Item no.	Spare part
1.1.1	P500Q	Washer SN 213912 M6 18/4,8
1.1.2	P541D	Elbow nipple WES 12 / R3 / 8 "
1.1.3	P533B	Angled connector G 1/4,Äö,Äö
1.1.4	P492K	Nut DIN 985 M6 A2
1.1.5	P480W	Screw DIN 7991 M6 x 25 A2
1.1.7	720.054	Powerdisc Buffer Housing
1.1.8	510.127	Fender Wheel ø90mm
1.1.9	432.508	Distance ring ø15/8,5 x 26,8
1.1.10	435.117	Driving wheel
1.1.11	435.116	Driving bush
1.1.13	P488B	Screw DIN 912 M5 x 12 A2
1.1.14	435.138	Brush head holder welded
1.1.15	435.229	Motor protection switch holder
1.1.16	470.710A	Protection cap
1.1.17	435.231	Cable circuit breaker to motor
1.1.18	435.106	Hose to brush
1.1.19	P550C	Hose clamp 17.0-706R
1.1.20	565.118	Motor protection switch 35A
1.1.21	435.091	Motor 24V DC 750W
1.1.22	P497H	Washer DIN 9021 M6 6,4/18/1,6 A2
1.1.23	435.347	Base elongated holes
1.1.24	P488T	Pan head screw M 4x12
1.1.25	435.392	Reinforcement plate for brush head cover
1.1.26	P488N	Screw BN 20697 M5 x 16 St galvanized
1.1.27	P492G	Nut DIN 985 M5 St galvanized
1.1.28	P496G	Shim DIN 9021 M5 5,3/15/1,2
1.1.29	435.405	Swivel stop Brush head
1.1.30	P517A	Screw WN 1452 K40 x 35
1.1.31	435.406	Washer 19/3.2/1.5
1.1.32	P488O	Screw DIN 7984 M6 x 16 A2
1.2	435.139	Sleeve for respond
1.3	P487E	Screw DIN 912 M8 x 50
2	435.171	Brush motor wiring harness
3	435.172	Brush motor thermal switch wiring harness

CLEANFIX RA435 IBC

Suction nozzle

PDF created on: 16.07.2024 09:36

B8- 12.2022



CLEANFIX RA435 IBC

Suction nozzle

PDF created on: 16.07.2024 09:36

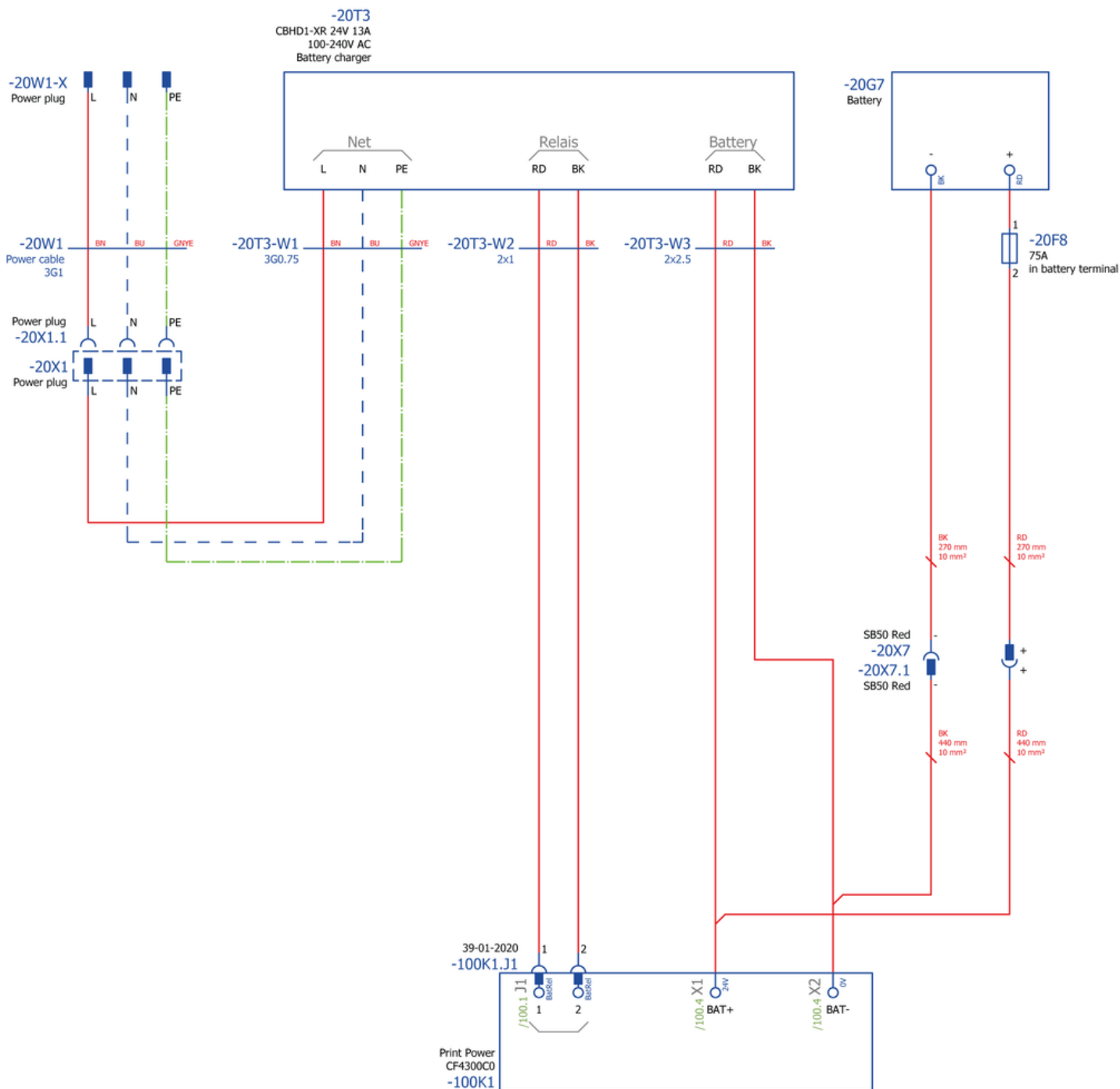
Pos.	Item no.	Spare part
1	432.560	Suction nozzle curved 72cm cpl.
2	565.640	Hose complete
3	P492K	Nut DIN 985 M6 A2
4	P497K	Washer DIN 125 A M6 6,4/12/1,6 A2
7	432.565	Support plate rear right
8	432.566	Support plate rear left
9	P470F	Screw DIN 912 M6 x 65 A2
10	432.567	retaining plate left upfront
11	432.571	retaining plate right upfront
12	800.425	Machined screw DIN 912 M6 x 30 A2
13	432.573	Suction nozzle body
14	P253M	Star grip Ø62 M8 x 18 A2
15	605.304	Bushing Ø12 x Ø8 x 4.7
16	605.302	Bushing Ø12 x Ø8 x 9.5
17	605.301	Bushing Ø12 x Ø6.1 x 41
18	P204E	Wheel with solid rubber tires D50mm
19	605.303	Bushing Ø12 x Ø6.1 x 31.4
20	P470B	Screw DIN 912 M6 x 55
21	P486Y	Screw DIN 912 M6 x 40 A2 with shaft
22	P204L	Skater wheel ø75
23a	435.080LT	Rubber blade standard (suction nozzle curved)
23b	435.083	Rubber blade oil resistant (suction nozzle curved)

CLEANFIX RA435 IBC

Wiring diagram 1

PDF created on: 16.07.2024 09:36

B9.1- 12.2022

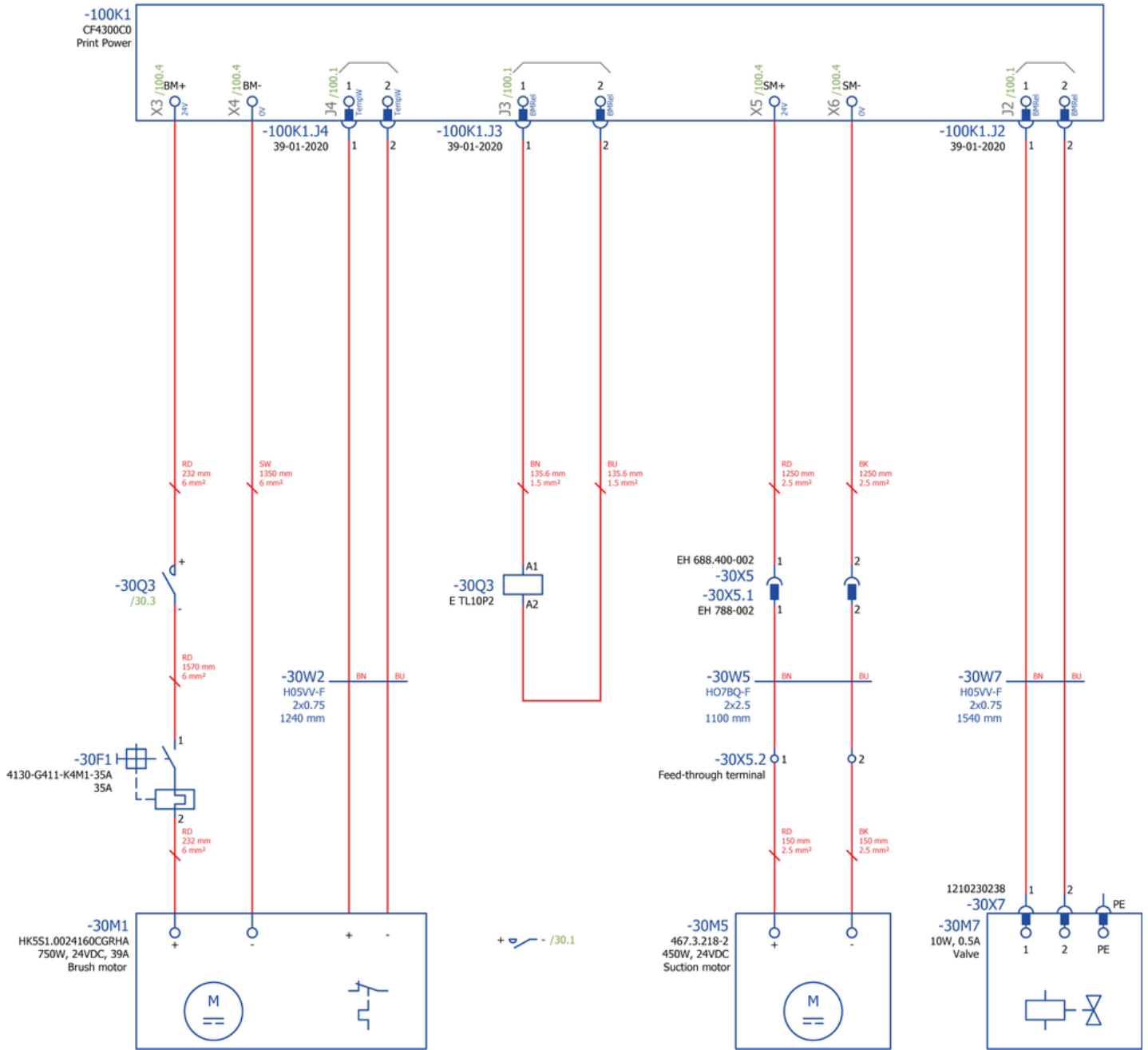


CLEANFIX RA435 IBC

Wiring diagram 2

PDF created on: 16.07.2024 09:36

B9.2- 12.2022

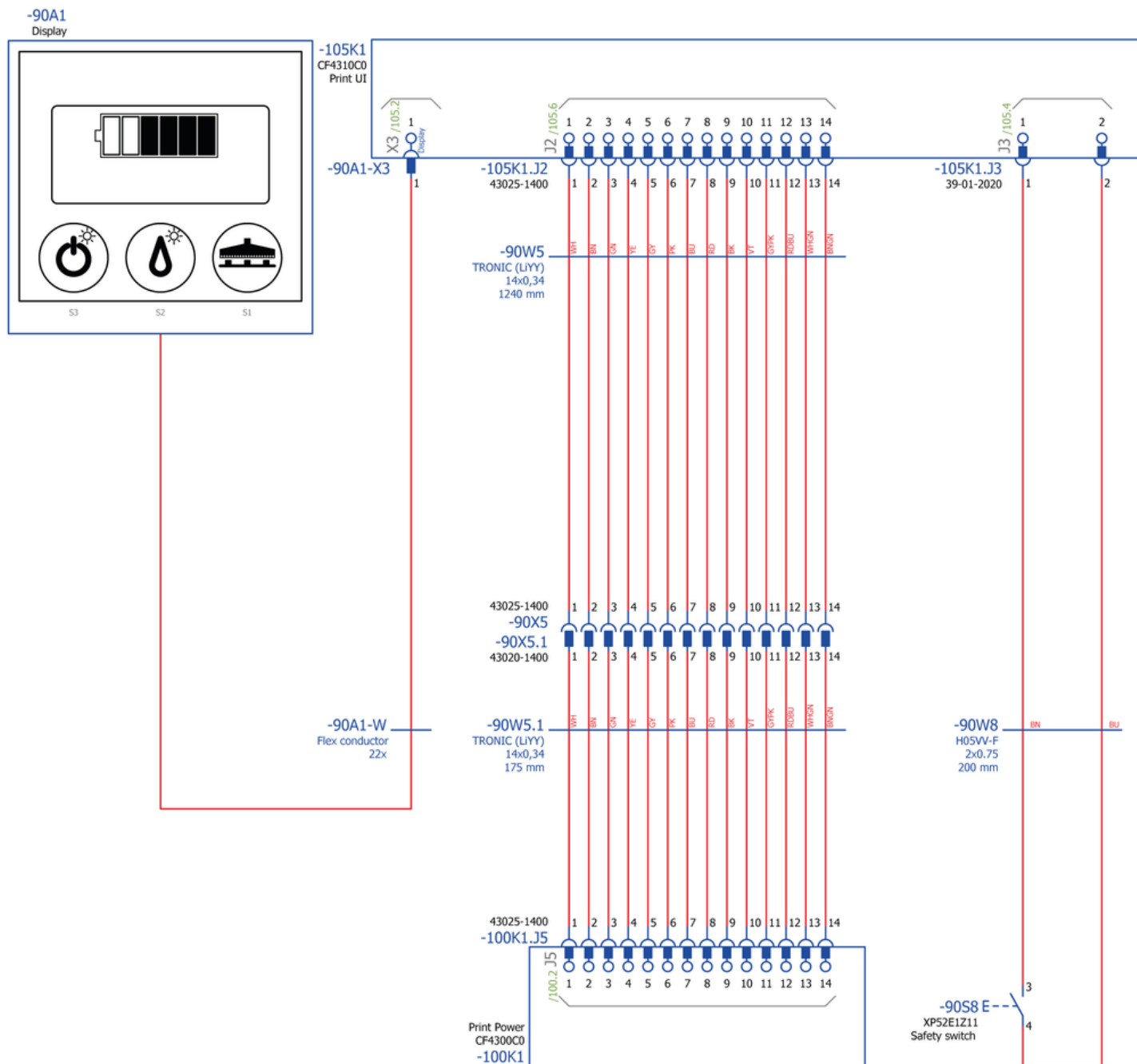


CLEANFIX RA435 IBC

Wiring diagram 3

PDF created on: 16.07.2024 09:36

B9.3- 12.2022



CLEANFIX RA435 IBC

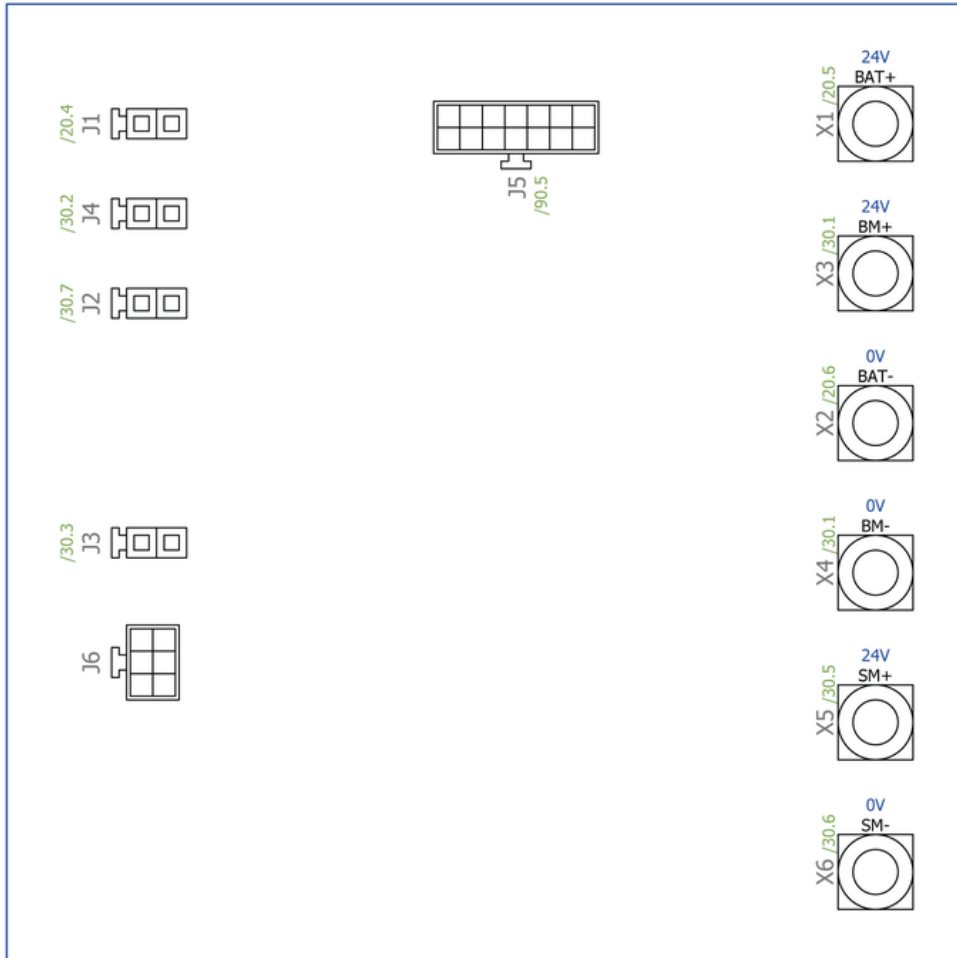
Wiring diagram 4

PDF created on: 16.07.2024 09:36

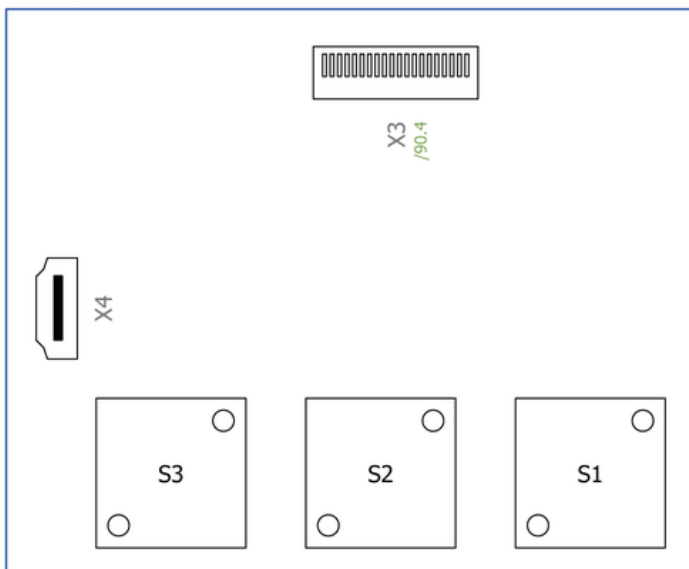
B9.4- 12.2022



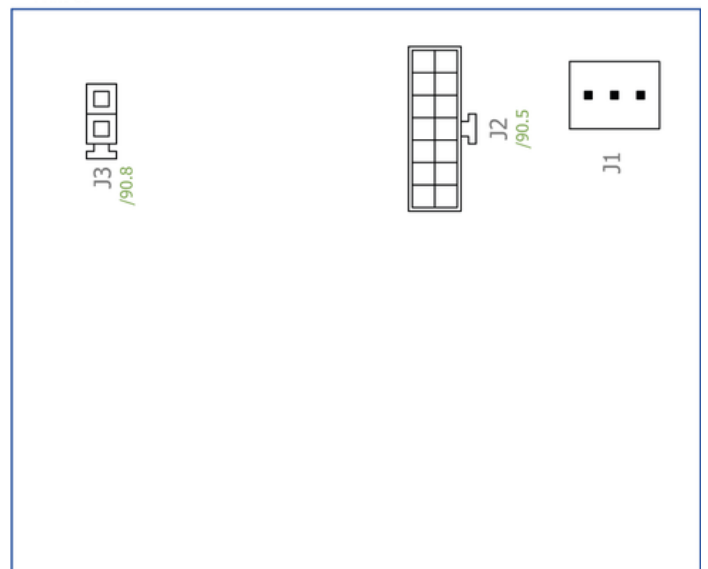
-100K1
CF4300C0
Print Power



-105K1
/105.4
CF4310C0
Front page
Print UI



-105K1
/105.1
CF4310C0
Back side
Print UI

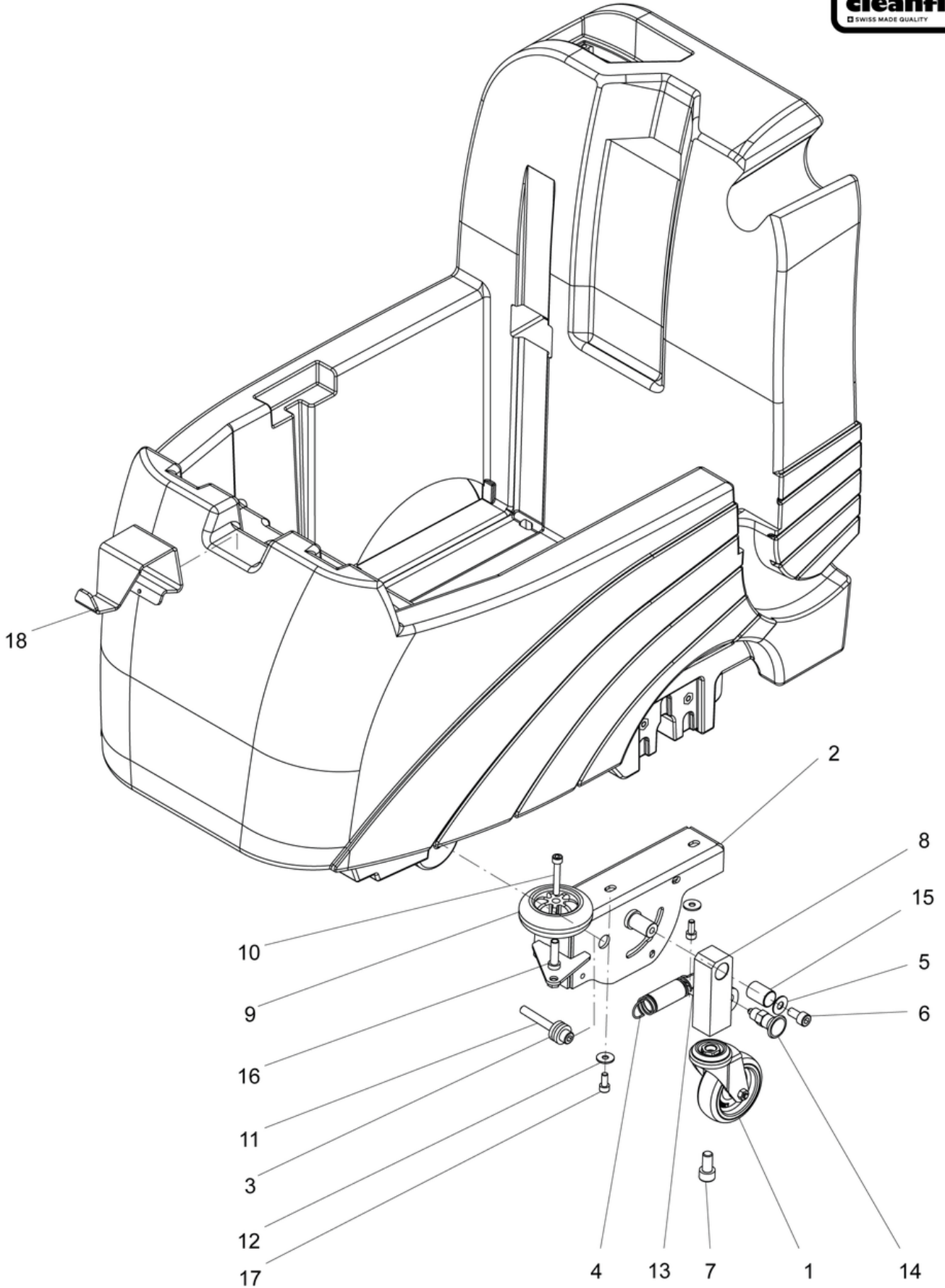


CLEANFIX RA435 IBC

Options: transport wheel attachment + brush holder

PDF created on: 16.07.2024 09:36

B10- 12.2022



CLEANFIX RA435 IBC

Options: transport wheel attachment + brush holder

PDF created on: 16.07.2024 09:36

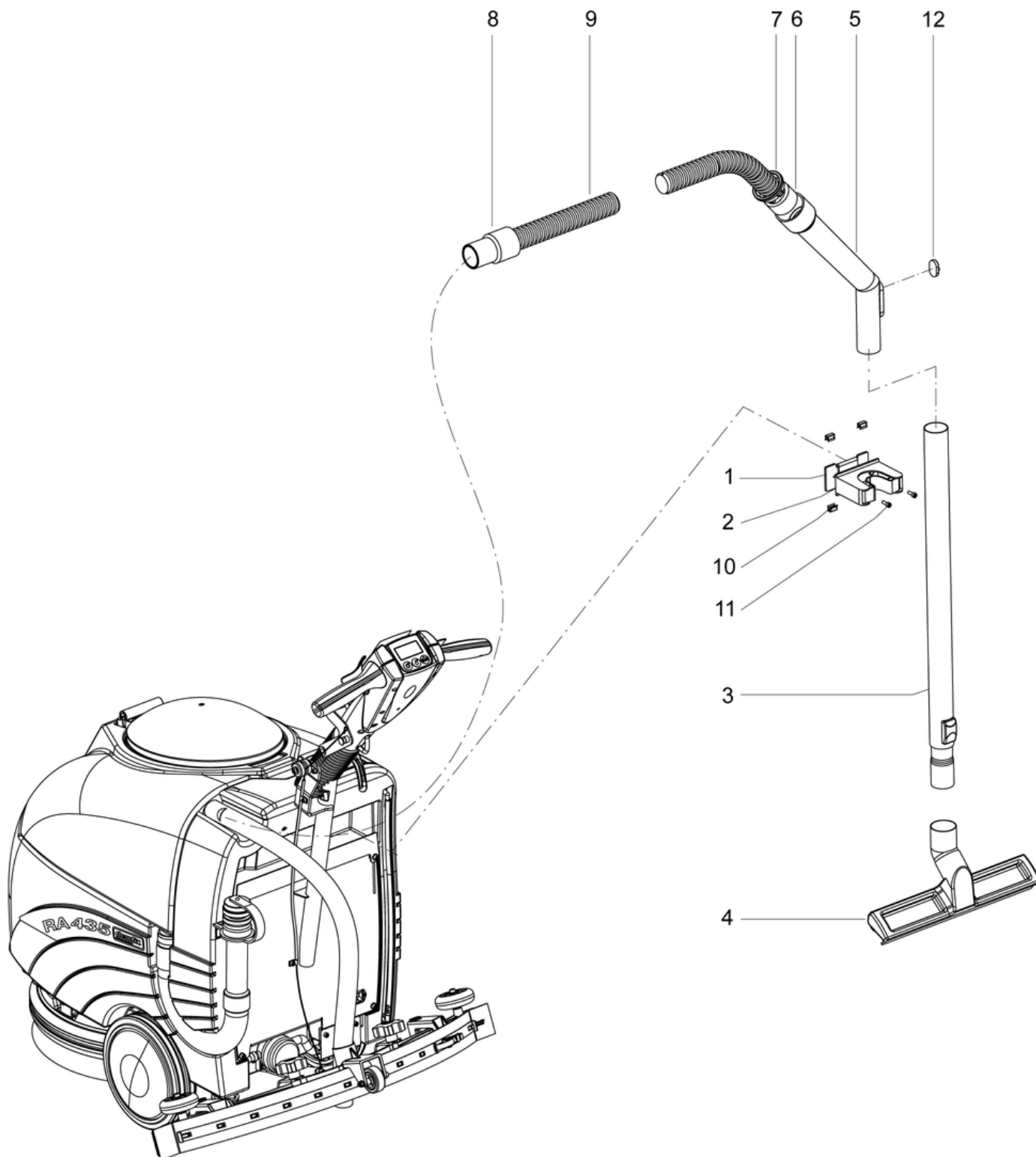
Pos.	Item no.	Spare part
1	P205F	Castor ø75mm
2	435.371	Holder transport wheel welded
3	P495Z	Shim DIN 7349 M8 8,4/21/4 A2
4	P511P	Tension spring RZ-115V-10I 1,5/20/48,9
5	P496J	Shim DIN 522 M8 8,4/20/1,2
6	P486	Screw DIN 912 M8 x 16
7	P487H	Screw DIN 912 M10 x 20
8	435.372	Welded transport wheel connection
9	P204L	Skater wheel ø75
10	P486Y	Screw DIN 912 M6 x 40 A2 with shaft
11	P487FA	Screw DIN 912 M8 x 60 with shaft
12	P497H	Washer DIN 9021 M6 6,4/18/1,6 A2
13	P486W	Screw DIN 912 M6 x 30
14	P171H	Locking bolt M12 x1.5 Ø6
15	P316ID	Plain bearing Ø16 x Ø18 x 25
16	605.303	Bushing Ø12 x Ø6.1 x 31.4
17	P486QA	Screw DIN 912 M6 x 14 A2
18	435.243	Brush holder

CLEANFIX RA435 IBC

Option: water suction set

PDF created on: 16.07.2024 09:36

B11- 02.2023



CLEANFIX RA435 IBC

Option: water suction set

PDF created on: 16.07.2024 09:36

Pos.	Item no.	Spare part
1	435.409	Retaining plate for handle holder
2	813.011	Stick holder 30 - 40mm
3	022.015A	Telescope vacuuming tube inox
4	646.100	Water suction nozzle, 30cm
5	900.670	Hand tube with air flap slide
6	P583	Support ring for screw on \varnothing 32
7	P578	Click ring gray
8	P562C	Sleeve 32mm (screwable)
9	435.411	Suction hose \varnothing 32 cpl. 2m
10	P973	U Clip Double Grip Panel Clip 4.5-5mm
11	P486A	Screw DIN 912 M4 x 12
12	P581B	Slide