

RA560B

Table contents

PDF created on: 16.07.2024 15:26



RA 560 B

Steuerkasten
Boîte de contrôle
Controls box
B 4 / ST 4

Stossgriff
Poignée supérieure
Upper pushbar
B 3 / ST 3

Einbau Saugmotor
Montage de la
moteur d'aspiration
Vacuum motor assembling
B 2 / ST 2

Frisch- und Schmutzwassertank
Recipient d'eau propre et Recipient d'eau sale
Clean water tank and Waste water tank
B 1 / ST 1

Saugdüse
Suceur de tonage
Tractor nozzle
B 11 / ST 11

Batterieeinbau
Batterie
Battery
B 5 / ST 5

Elektronik
Elektronic
Elektronic
B 6 / ST 6

Fahrtrieb
Bloc moteur pour le socle support
Drive unit for wheel support
B 7 / ST 7

Bürsten
Brosse
Brush
B 10 / ST 10

Pumpe
Pompe
Pump
B 13 / ST 13

Bürstenantrieb
Bloc moteur pour la
tête de la brosse
Drive unit for brush head
B 9 / ST 9

Wasserzuführung
Alimentation eau
Waterdistribution
B 12 / ST 12

Anbau Bürstenantrieb
Montage-Bloc moteur
pour la tête de la brosse
Drive unit for brush
head assemble
B 8 / ST 8

Stromlaufplan
Diagramme électrique
Wiring diagram
B 14 / ST 14

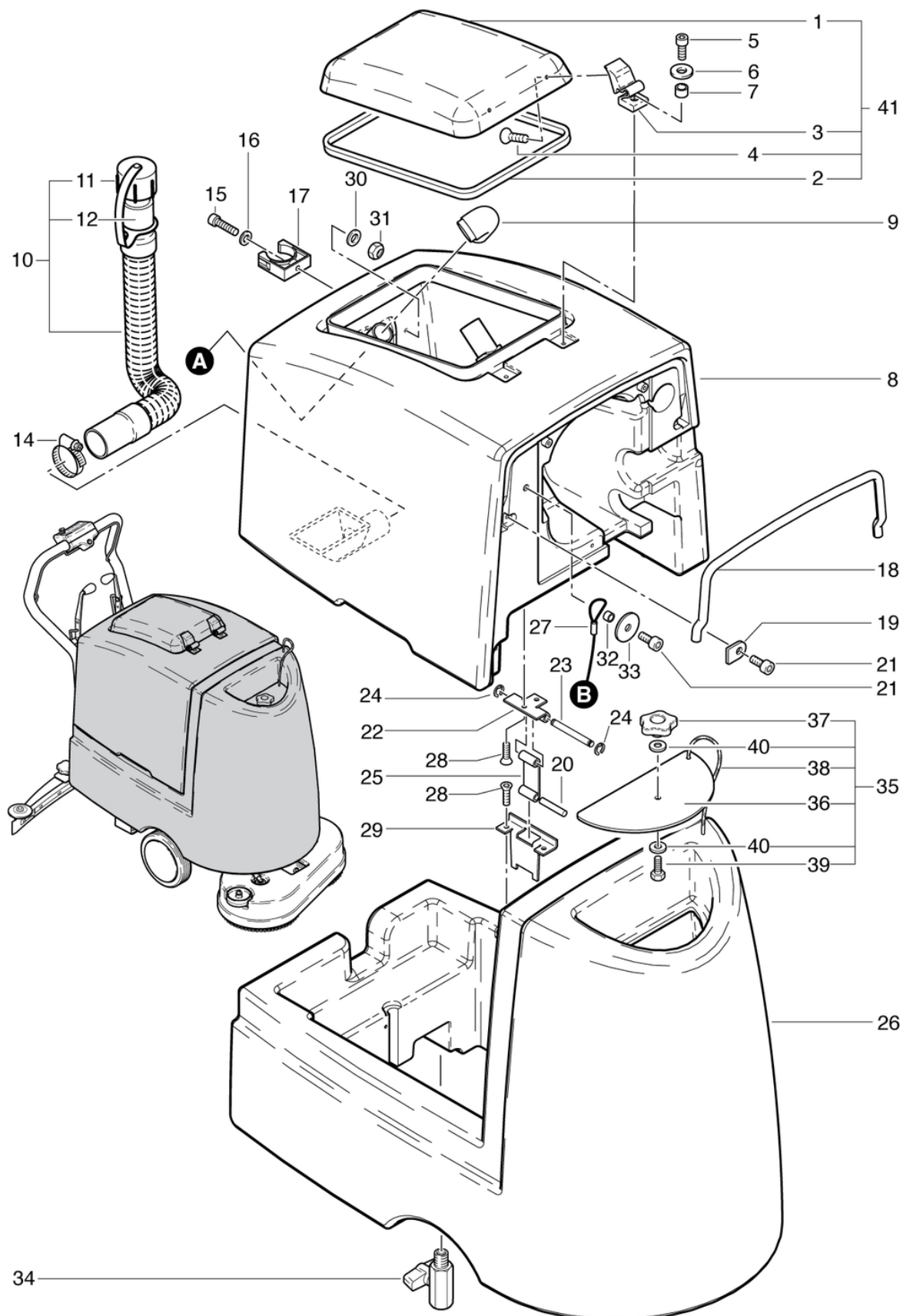
RA560B

Clean water tank and Waste water tank

PDF created on: 16.07.2024 15:26



RA 560/561 B



RA560B

Clean water tank and Waste water tank

Pos.	Item no.	Spare part
1	710.120	Cover of the dirty water tank processed transparently
2	710.121	Cover seal EPDM black
3	710.122	Rubber Hinge
4	P4800	Screw DIN 965 M4 x 8 A2
5	P488B	Screw DIN 912 M5 x 12 A2
6	P497K	Washer DIN 125 A M6 6,4/12/1,6 A2
7	430.618	Distance ring $\varnothing 7/5 \times 5,5$
8	560.655	Waste water tank compl.
9	560.674	Elbow connector $\varnothing 42 / 33$
10	701.125	Discharge Hose(repl by701.127)
11	432.110	Cover for Execution
12	500.409A	Hose sleeve 45 x 25 x 80mm
14	P206D	Hose clamp 32-50mm/12
15	P488K	Screw DIN 912 M5 x 25 A2
16	P497G	Washer DIN 125 A M5 5,3/10/1 A2
17	P109A	Hose holder anthracite
18	560.673	Discharge hose
19	560.677	Clamp plate
20	P513V	Pin ISO 2338 8 x 55 St galvanized
21	P488R	Hexagon screw M 6x12
22	560.661	Hinge
23	500.811	Bolt 8x81mm
24	P513P	Shim DIN 6799 7
25	560.618	Hinge
26	560.605	Clean water tank RA561
27	560.726	cord
28	P487U	Screw DIN 7991 M6 x 12
29	560.612	Hinge sheet in front
30	6230217	Shim 5 x 12 x 1 copper
31	P493G	Nut DIN 985 M5
32	560.143	Bearing Sleeve
33	P510L	Washer DIN 522 M6 6,4/25/1,5 A2
34	P508B	Ball tap
35	560.615	Fresh Water Tank Complete
36	560.613	Freshwater tank cover
37	430.346	Star Handle
38	490.750	Holding rope $\varnothing 3 \times 500\text{mm}$
39	P472V	Screw DIN 933 M8 x 16 A2
40	P510B	Washer M 8

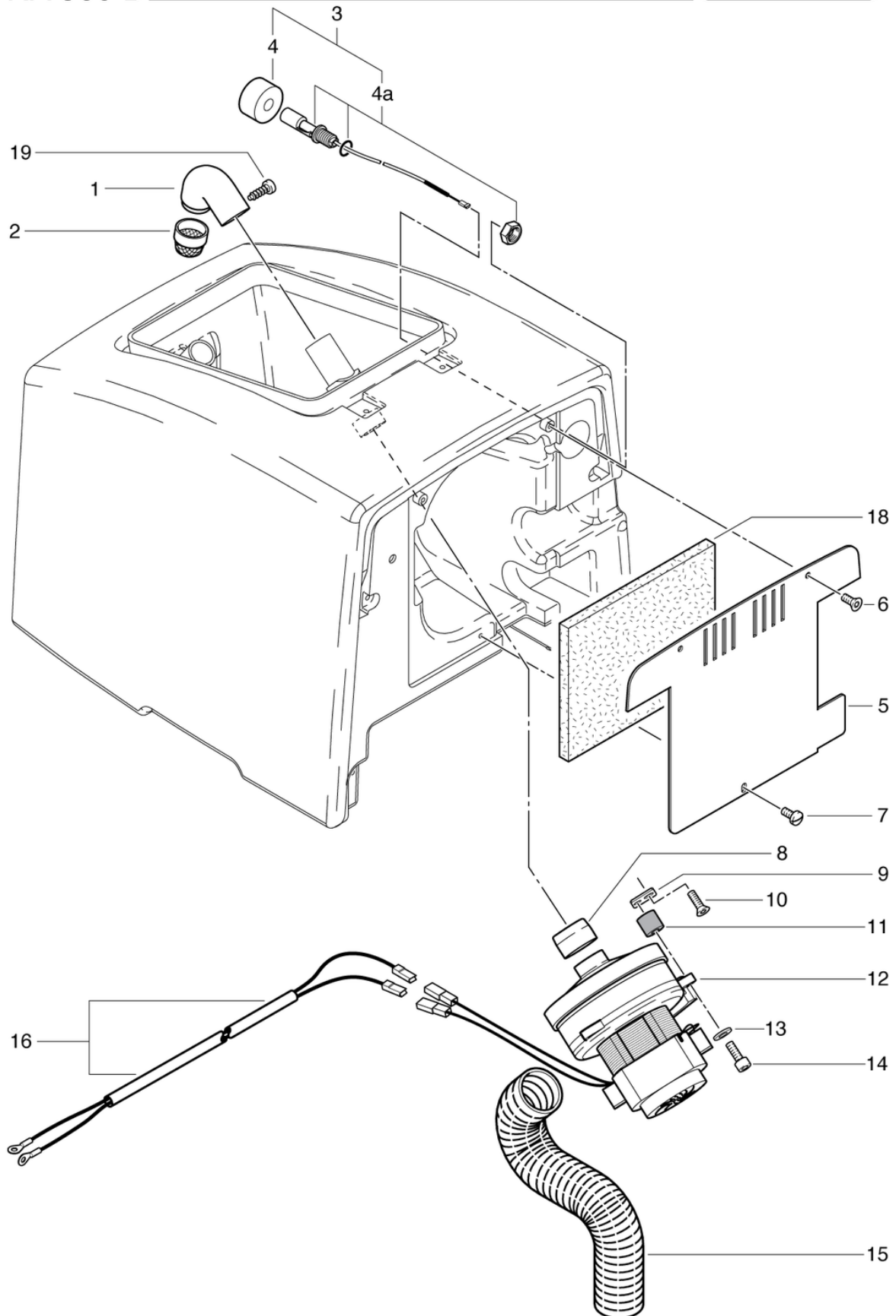
RA560B

Vacuum motor assembling

PDF created on: 16.07.2024 15:26



RA 560 B



RA560B

Vacuum motor assembling

PDF created on: 16.07.2024 15:26

Pos.	Item no.	Spare part
1	560.674	Elbow connector \varnothing 42 / 33
3	560.664	Level Sensor
4a	560.669	Level Sensor
4	560.670	Float
5	560.671	Cover to blower
6	P480K	Screw DIN 7991 M6 x 10
7	P475T	Screw DIN 85 A M6 x 12
8	560.667	Seal to blower
9	560.675	Fixing plate
10	P487U	Screw DIN 7991 M6 x 12
11	790.079	Round buffer 20x20
12	440.206	Suction Motor- 24 V / 400W
13	P496L	Shim DIN 9021 M6 6,4/18/1,6
14	P487W	Screw DIN 7991 M6 x 16 A2
15	560.230	Drain hose
16	560.765	Cable harness suction motor
18	560.672	Noise absorbing canal
19	P482M	Srew

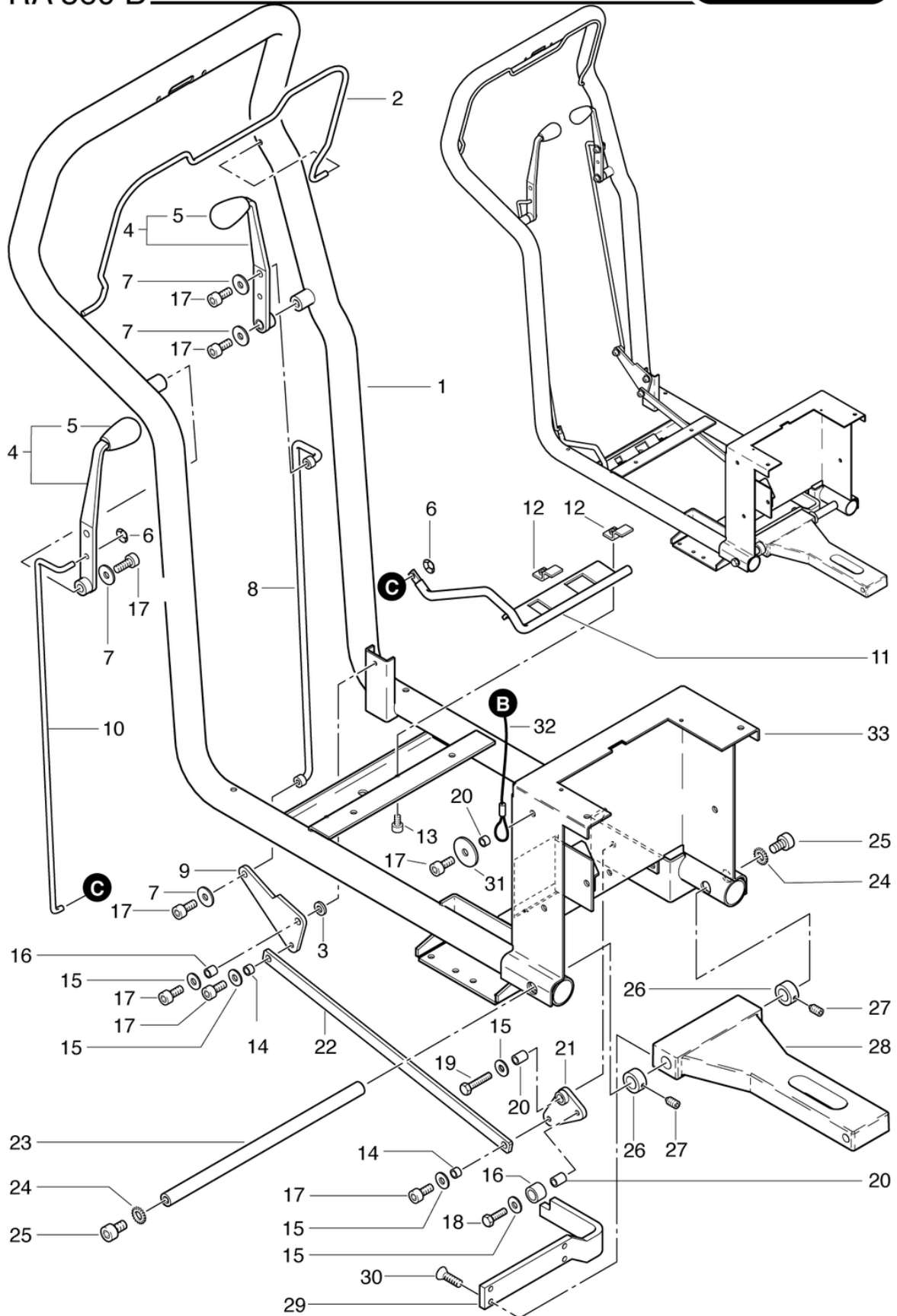
RA560B

Upper pushbar

PDF created on: 16.07.2024 15:26



RA 560 B



RA560B

Upper pushbar

PDF created on: 16.07.2024 15:26

Pos.	Item no.	Spare part
1	560.120	Push Bar Complete
2	560.570	Switch bar
3	P497K	Washer DIN 125 A M6 6,4/12/1,6 A2
4	560.160	Operating Lever
5	530.809	Handle RA530B
6	P513F	Quicklock Benzing type BQ springs. 6th
8	560.435	Coupling Bar
9	560.151	Handle
10	560.578	Pull rod suction nozzle
11	560.575	Lever to lift the suction nozzle
12	560.577	Bearing bride
13	P488D	Screw DIN 912 M4 x 8
14	560.143	Bearing Sleeve
15	P496V	Shim DIN 125 A M6 6,4/12/1,6 Ms
16	560.144	Bearing Sleeve Bronze
17	P470R	Screw DIN 933 M6 x 12
18	P470X	Screw DIN 933 M6 x 20
19	P486W	Screw DIN 912 M6 x 30
20	560.142	Bearing Sleeve
21	561.141	Handle
22	560.432	Leesh
23	560.425	Cover Plate
24	P498V	Shim DIN 6797 M12 13/20,5/1
25	P488W	Screw DIN 912 M5 x 30 A2
26	560.428	Ring DIN 705 A 15/25/12
27	P482V	Screw M5 x 8 verz
28	560.420	Lifting lever
29	560.430	Lever
30	P479N	Screw DIN 7991 M6 x 14 A2
32	560.726	cord
33	560.438	Trigger front

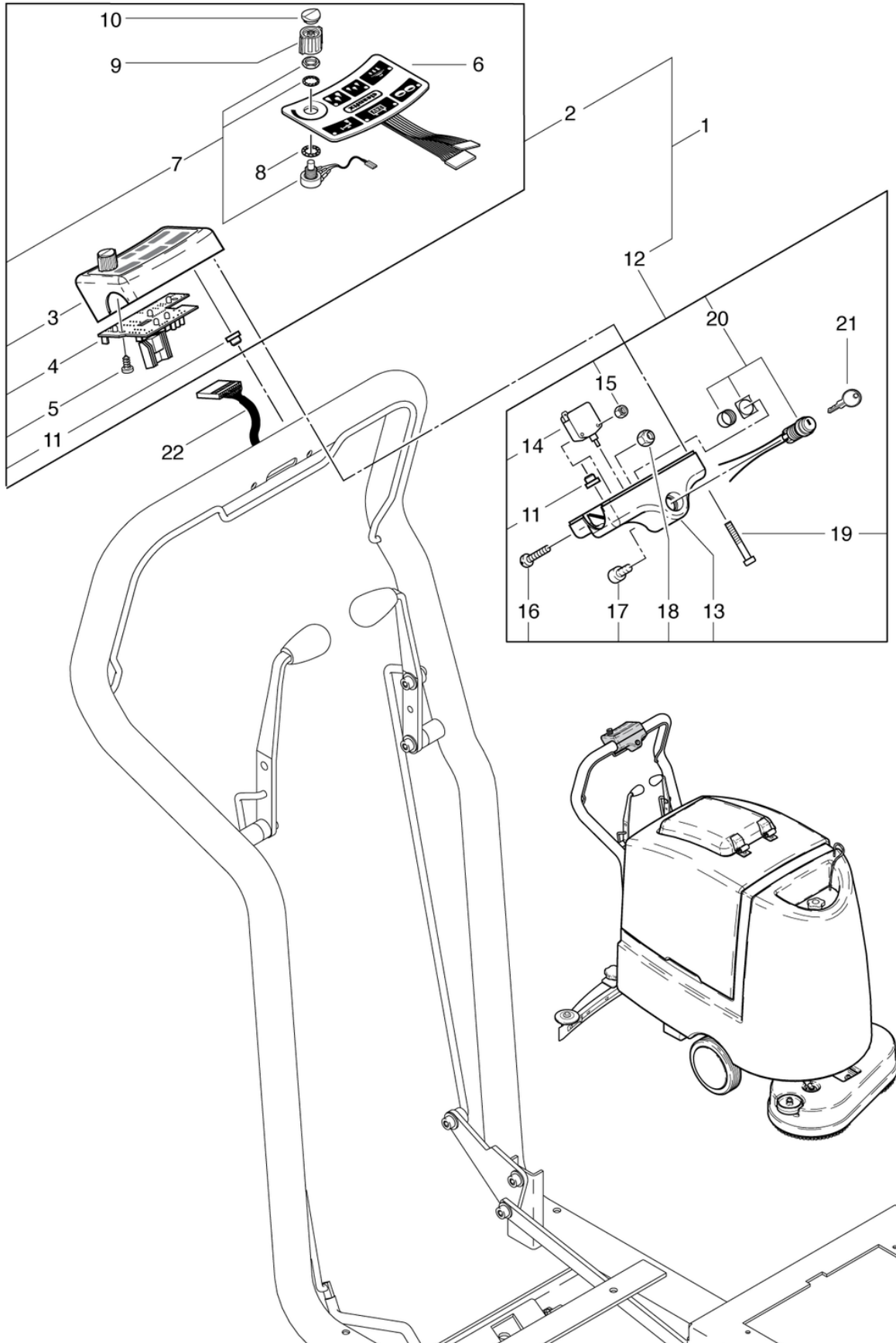
RA560B

Controls box

PDF created on: 16.07.2024 15:26



RA 560/561 B



RA560B

Controls box

PDF created on: 16.07.2024 15:26

Pos.	Item no.	Spare part
1	560.321	Control Box Complete
2	560.326	Control Box
3	530.226	Controls box top
4	560.366	Circuit Board
5	P483H	Screw DIN 7981 C 2,9 x 6,5 A2
6	560.367	Plastic Foil Keyboard
7	560.370	Potentiometer
8	P4980	Shim DIN 6798 A M10 10,5/18/0,9
9	560.372	Rotary Button
10	560.373	Knob Cover
11	710.314	Twist protection
12	560.328	Lower Control Box
13	530.221	Control box lower part
14	710.323	Safety Switch
15	P492D	Nut DIN 985 M4 A2
16	P475F	Screw DIN 85 A M4 x 20 A2
17	P488E	Screw DIN 912 M5 x 8 A2
18	P493G	Nut DIN 985 M5
19	P516P	Screw WN 1452 K40 x 12
20	560.361	Key Switch
21	P244B	Spare key (1 pc.)
22	560.761	Ribbon Cable

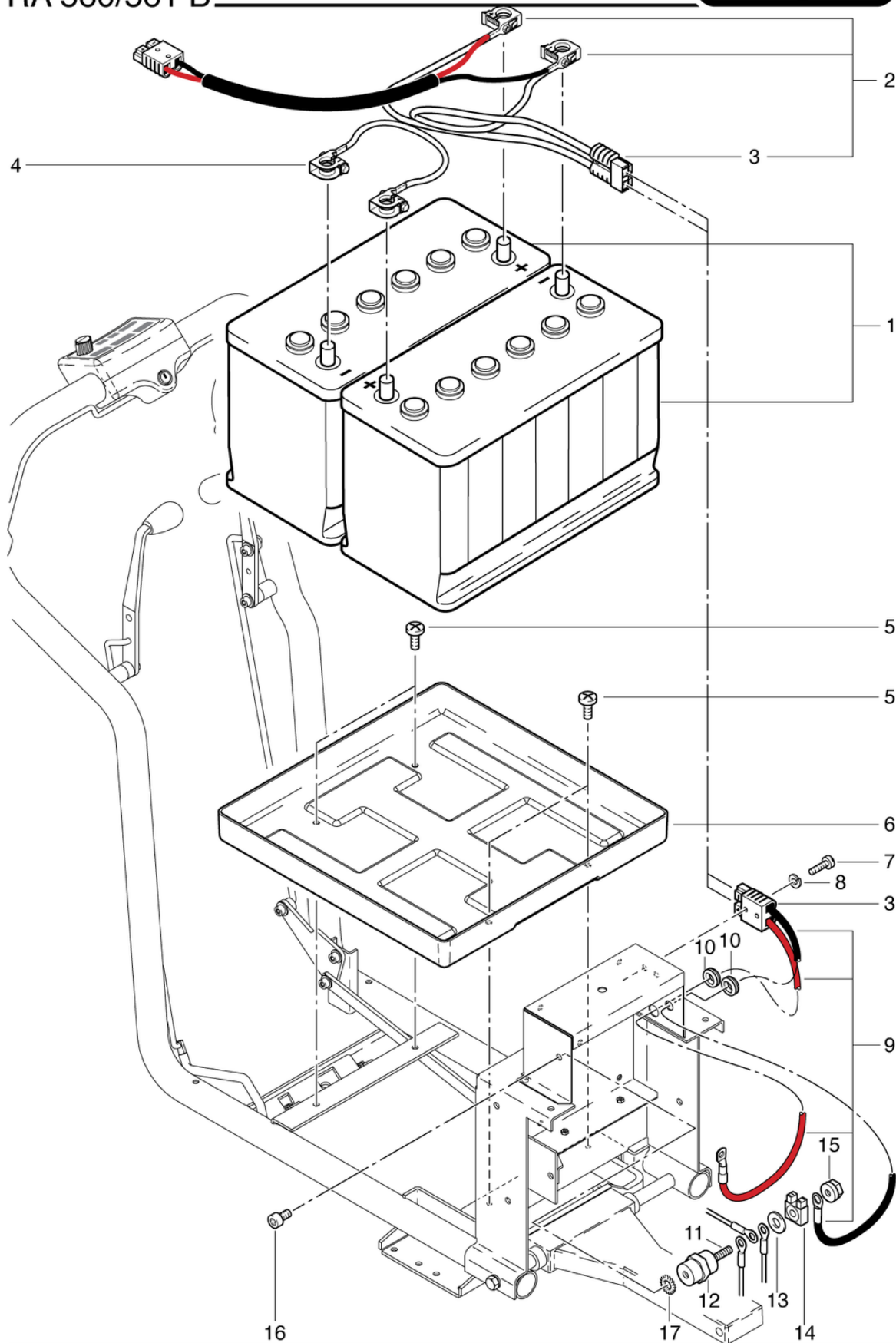
RA560B

Battery

PDF created on: 16.07.2024 15:26



RA 560/561 B



RA560B

Battery

PDF created on: 16.07.2024 15:26

Pos.	Item no.	Spare part
1	530.092	set of 2 gel batteries 12V/105 Ah (C5) Eternity
2	560.994	Connecting Cable
3	P357A	Charging Plug housing red
4	560.995	Battery connection wire 10mm ² , L = 0.2m
5	P475P	Screw DIN 85 A M6 x 8
6	560.585	Battery container
7	P475F	Screw DIN 85 A M4 x 20 A2
8	P498A	Ring DIN 127 B M4 4,1/7,6/0,9 CuSn
9	560.763	Wiring harness charging plug
10	P409	Cable sleeve Ø 7.5x12mm
11	P483	Pin DIN 913 M8 x 40 St galvanisé
12	P366A	Support isolation M 8
13	P497P	Shim DIN 1440 8/16/2
14	560.710	Fuse CF8, 75A
15	710.353	Insulating Nut
16	P488X	Screw DIN 7984 M8 x 12 galvanized
17	P499E	Shim DIN 6798 M8 8,4/15/0,8 A2

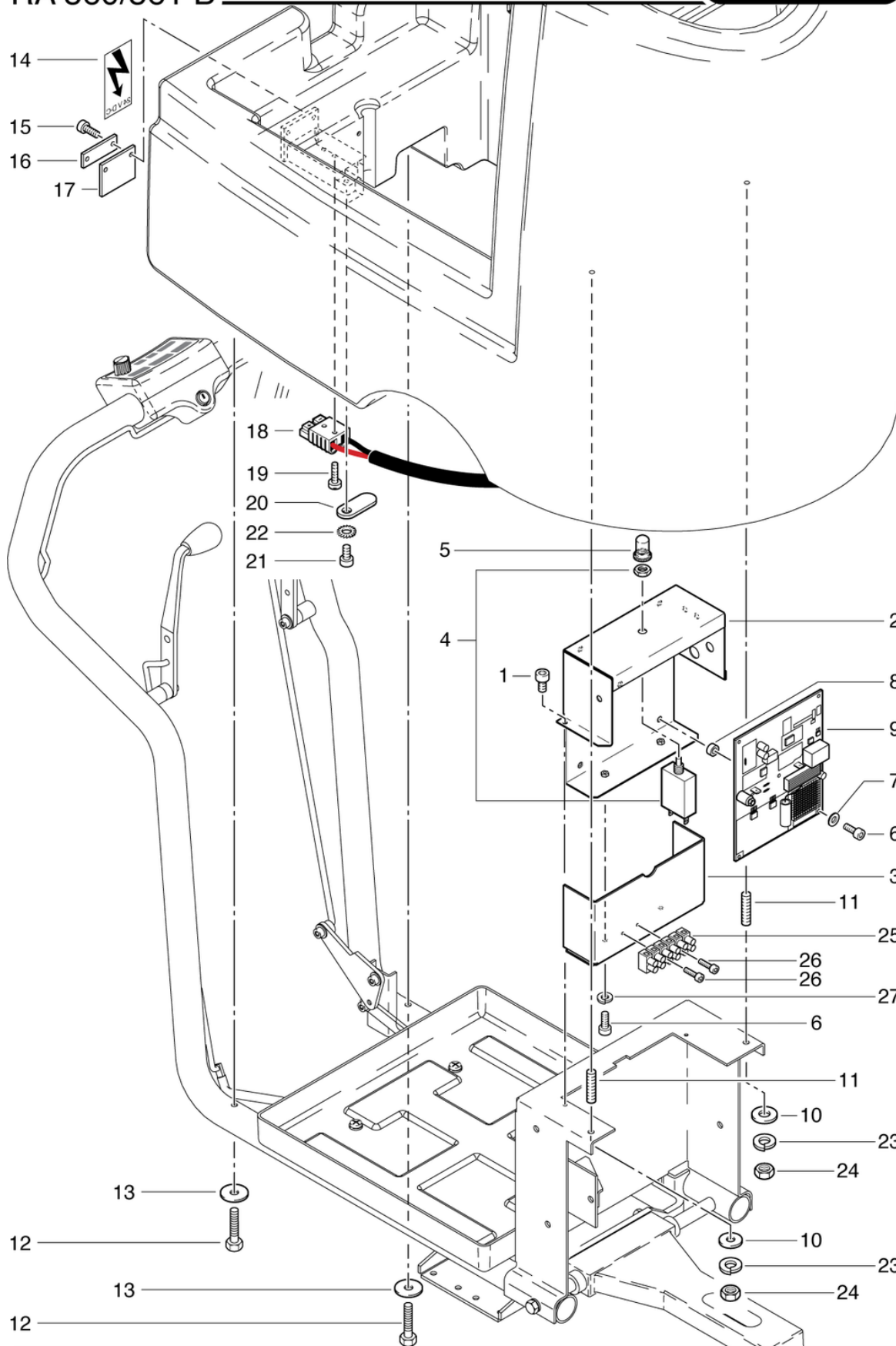
RA560B

Electronic

PDF created on: 16.07.2024 15:26



RA 560/561 B



RA560B

Electronic

PDF created on: 16.07.2024 15:26

Pos.	Item no.	Spare part
1	P488B	Screw DIN 912 M5 x 12 A2
2	560.352	Electronic box
3	560.353	Lead to electronic cover
4	500.957	Protection Switch
5	500.957A	Protective Cap
6	P488D	Screw DIN 912 M4 x 8
7	P497D	Shim DIN 125 A M4 4,3/9/0,8 Ms
8	P509E	Spacer sleeve round $\varnothing 4.2 \times 8 \times 5$ PA6.6
9	560.362	Electronic Main Board
10	P497H	Washer DIN 9021 M6 6,4/18/1,6 A2
11	P513K	Pin DIN 913 M6 x 25 A2
12	P472Y	Screw DIN 933 M6 x 45 A2
13	P510L	Washer DIN 522 M6 6,4/25/1,5 A2
14	5101	warning sticker
15	P486A	Screw DIN 912 M4 x 12
16	560.623	Metal sheet clamp
17	560.622	plug cover
18	P357A	Charging Plug housing red
19	P475F	Screw DIN 85 A M4 x 20 A2
20	470.463	Support plate
21	P488E	Screw DIN 912 M5 x 8 A2
22	P498D	Washer DIN 6798 M5 5,1/9/0,5 A2
23	P498U	Ring DIN 127 B M6 6,1/11,8/1,6 A2
24	P490D	Nut DIN 934 M6
25	P383F	6 Pol. 6mm ² /450V
26	P477B	Screw DIN 912 M3 x 14
27	P498A	Ring DIN 127 B M4 4,1/7,6/0,9 CuSn

RA560B

Drive unit for wheel support

PDF created on: 16.07.2024 15:26

Pos.	Item no.	Spare part
1a	P487A	Screw DIN 912 M8 x 10
1	P471V	Screw DIN 933 M10 x 35
2a	P498N	Ring DIN 127 B M8 8,1/14,8/2
2	P496T	Shim DIN 125 A M10 10,5/20/2
3a	560.412	Swivel castor 125 x 40mm
4	P493G	Nut DIN 985 M5
5	P497G	Washer DIN 125 A M5 5,3/10/1 A2
6	P488L	Screw DIN 912 M3 x 5
7	P489E	Screw DIN 912 M5 x 10 A2
8	560.445	Drive support
9	P488G	Screw DIN 912 M5 x 16 A2
10	560.415	Drive Motor 150w 24v DC
11	560.446	Support
12	560.451	Bearing cover
14	P487C	Cyl. I-6kt o shaft M4 x 16 St 8.8 black
16	560.400	Impeller ø200 x 53mm machined cpl.
18	560.407	Wheel bearing
19	560.406	Mitnemerbolzen
21	P486Q	Screw DIN 912 M6 x 12 A2
22	P316R	Deep groove ball bearing 6004 2RSR ø42 / 20 x 12
23	530.246	Distance ring ø25/20 x 17
24	P513I	Ring DIN 471 17/1 A2
25	530.242	Wheel Cover Red
26	560.416	Rim of Toothed Wheel
28	P513W	Wedge DIN 6885 A 4/4/18 St galvanized
29	560.444	Intermediate plate 4 hole

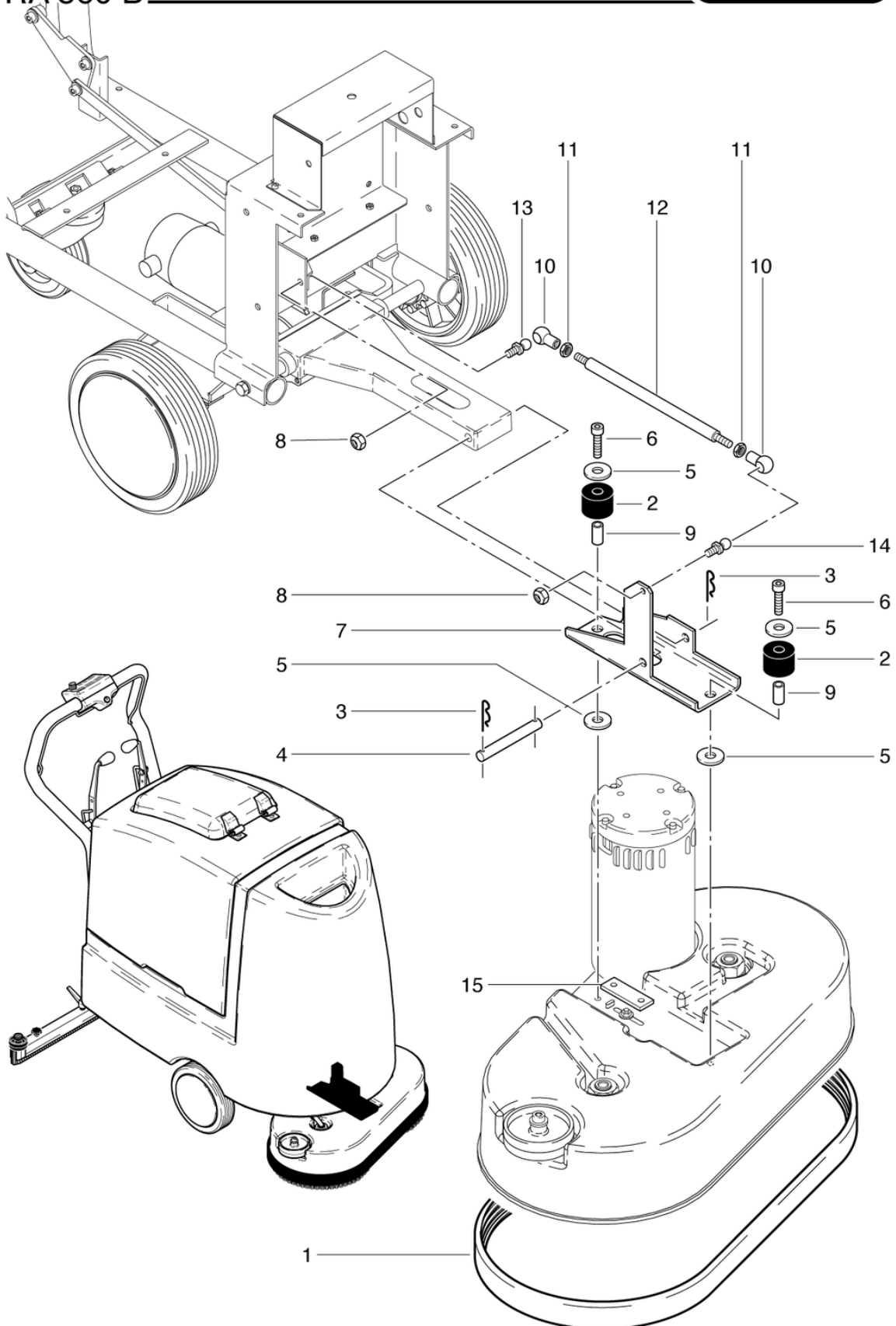
RA560B

Drive unit for brush head assemble

PDF created on: 16.07.2024 15:26



RA 560 B



RA560B

Drive unit for brush head assemble

PDF created on: 16.07.2024 15:26

Pos.	Item no.	Spare part
1	560.285	Bumper
2	560.265	Bearing
3	P511D	Spring clip BN 915 3/16/62
4	560.429	Bolt 10x86
5	P496I	Washer M 8x20
6	P488V	Screw DIN 912 M8 x 30 A2K
7	560.267	holder
8	P492H	Nut DIN 985 M8 St galvanized
9	560.266	Distance ring $\varnothing 10/8,1 \times 11,5$
10	P512C	Ball cup DIN 71805 A13 M8
11	P491U	Hexagon nut M 8
12	560.440	Track bar
13	P512D	Ball pin DIN 71803 C13 M8 SW11
14	560.292	Ball Pin
15	560.268	Support

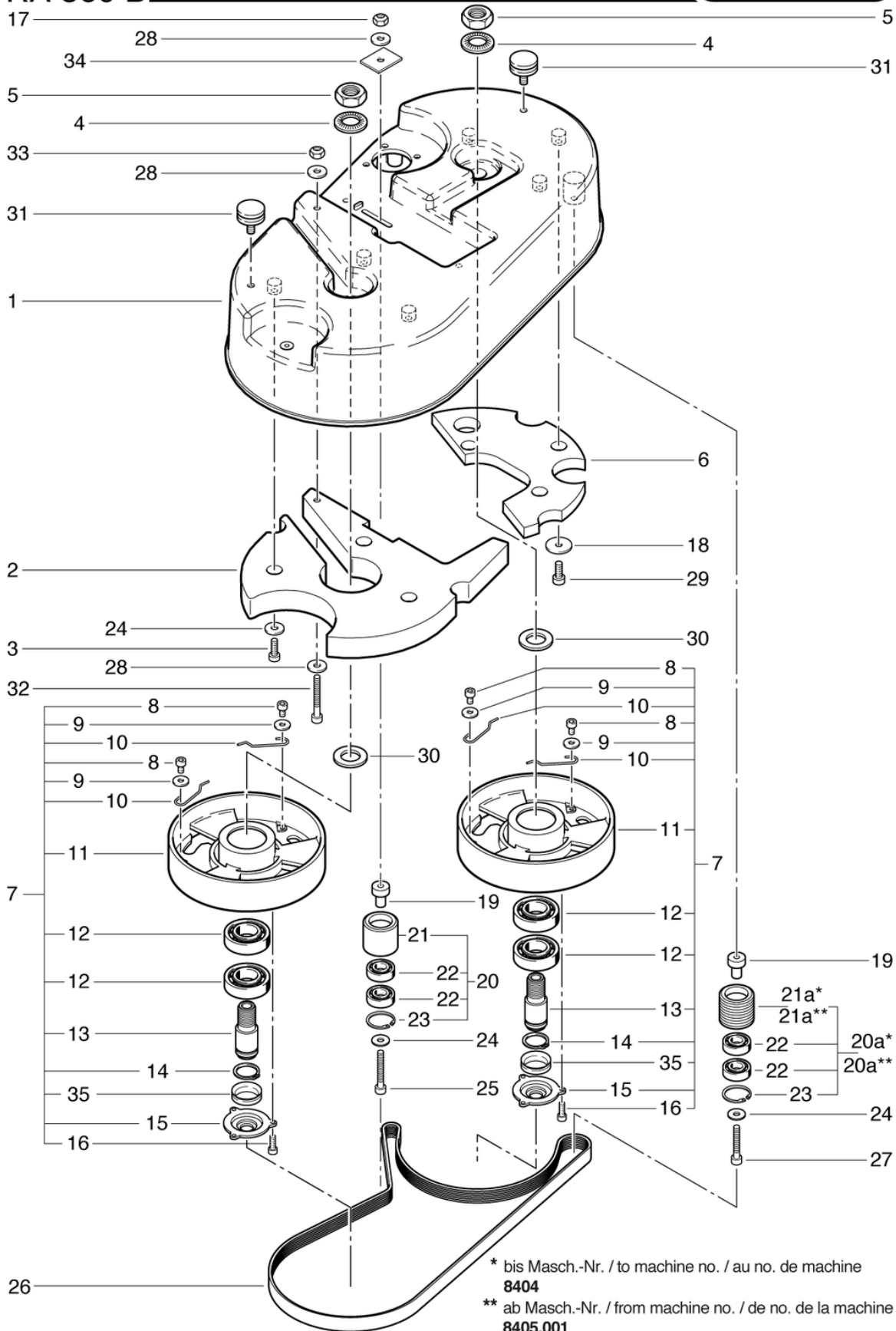
RA560B

Drive unit for brush head

PDF created on: 16.07.2024 15:26



RA 560 B



* bis Masch.-Nr. / to machine no. / au no. de machine
8404

** ab Masch.-Nr. / from machine no. / de no. de la machine
8405.001

Buerstenantrieb

RA560B

Drive unit for brush head

PDF created on: 16.07.2024 15:26

Pos.	Item no.	Spare part
1	560.206	Motor housing
2	560.275	Weight
3	P486P	Screw DIN 912 M6 x 20
4	P498Q	Shim NFE 25511 M20 20,5/40/4,9
5	P492R	Nut DIN 934 M20 x 1.5 A2
6	560.270	Weight beside motor
7	561.210	Wheel Complete
8	P475H	Screw DIN 85 A M5 x 8
9	P496H	Shim DIN 125 A M5 5,3/10/1
10	560.216	Spring
11	561.215	Brush holder cpl.
12	P316P	Deep groove ball bearing 6205 2RS ø52 / 25 x 15
13	560.212	Main Axle
14	P513D	Ring DIN 471 25/1,2
15	560.218	Hub Cover
16	P481Q	Screw BN 1023 M4 x 8
17	P493K	Nut DIN 985 M6
18	P510L	Washer DIN 522 M6 6,4/25/1,5 A2
19	560.256	Bearing Pin
20a**	560.254	Belt Tension Pulley Complete
20a*	560.255	Belt Tension Pulley Complete
21a**	560.258	Belt tension pulley
21a*	560.257	Idler pulley
22	P315I	Ball bearing
23	P513U	Retaining washer DIN 472
24	P497K	Washer DIN 125 A M6 6,4/12/1,6 A2
25	P488U	Screw DIN 912 M6 x 45 A2K with shaft
26	560.252	Drive Belt RA560B
27	P486S	Screw DIN 912 M6 x 35 with shaft
28	P496L	Shim DIN 9021 M6 6,4/18/1,6
29	P486R	Screw DIN 912 M6 x 16
30	P499WW	Shim DIN 988 20/32/0,5
31	560.286	Locking sleeve Ø 10mm
32	P486N	Screw DIN 912 M5 x 40 with shaft
33	P493G	Nut DIN 985 M5
34	560.268	Support
35	P343	V-Ring NBR VA14

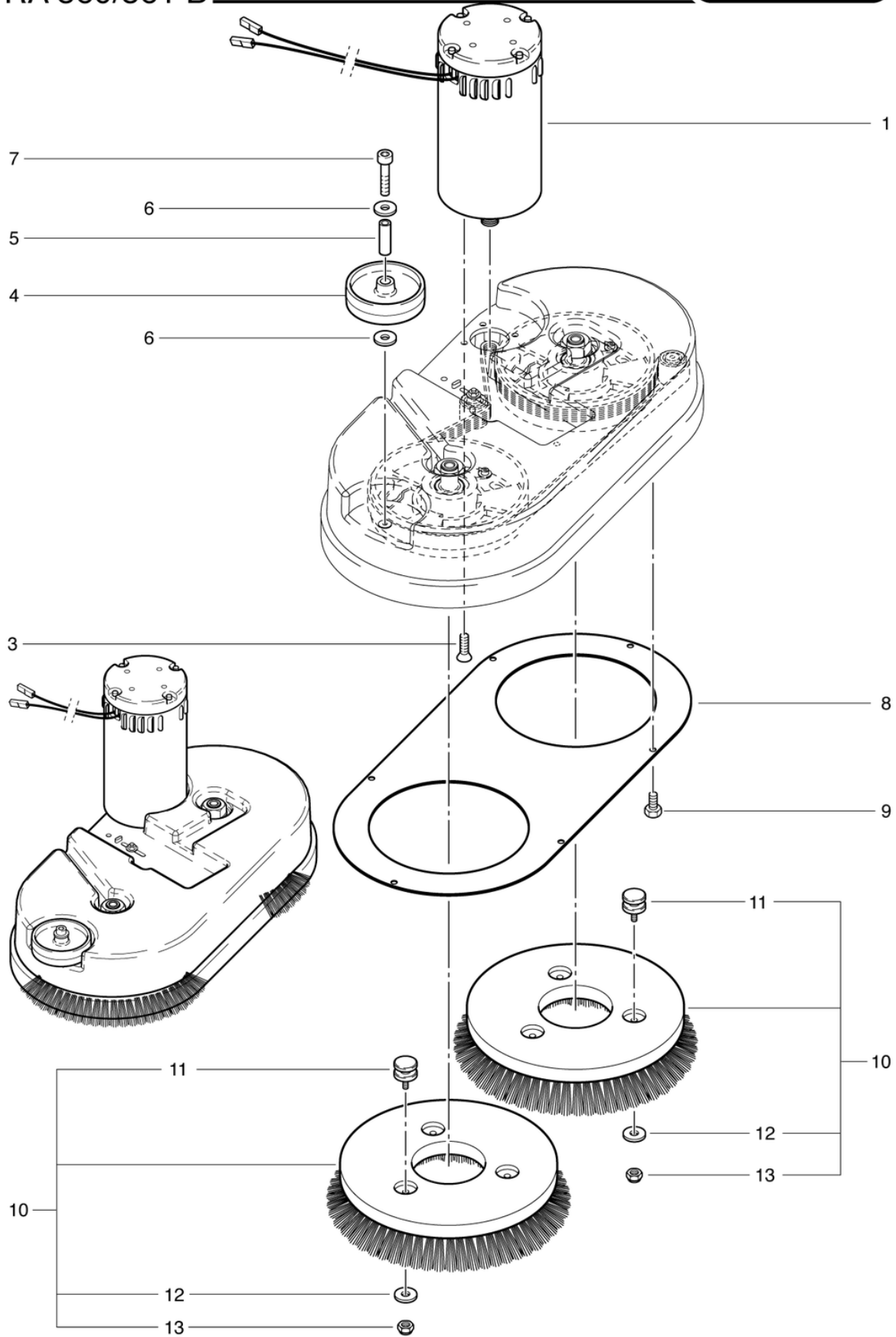
RA560B

Brush

PDF created on: 16.07.2024 15:26



RA 560/561 B



RA560B

Brush

PDF created on: 16.07.2024 15:26

Pos.	Item no.	Spare part
1	560.251	Brush Motor
3	P487W	Screw DIN 7991 M6 x 16 A2
4	530.136	Fender Wheel RA430/530
5	530.138	Distance Piece
6	P496M	Shim BN 732 20/6/1,5
7	P488U	Screw DIN 912 M6 x 45 A2K with shaft
8	560.280	Metal Cover
9	P488E	Screw DIN 912 M5 x 8 A2
10	560.261	Scrubbing brush ø280mm
11	710.462	Bolt for Driving Plate
12	P510L	Washer DIN 522 M6 6,4/25/1,5 A2
13	P492K	Nut DIN 985 M6 A2

RA560B

Tractor nozzle

PDF created on: 16.07.2024 15:26

Pos.	Item no.	Spare part
1	470.831	Suction hose 0.64m
5	560.310	Squeegee Support
6	560.305	Support to suction nozzle
7	P486R	Screw DIN 912 M6 x 16
8	P492I	Security screw - nut M 6
9	P486Q	Screw DIN 912 M6 x 12 A2
10	P498K	Shim DIN 6798 M6 6,4/11/0,7
11	P496L	Shim DIN 9021 M6 6,4/18/1,6
12	P497P	Shim DIN 1440 8/16/2
13	P492H	Nut DIN 985 M8 St galvanized
14	560.550	Suction nozzle complete, including items 15-26
15	510.602	Suction nozzle housing
16	530.606	Nozzle End Piece
17	530.601	Holder For Rubber Blades
18	530.080	Rubber blade standard (suction nozzle straight) 80cm
18	560.080	Rubber blade oil resistant (suction nozzle straight) 80cm
20	450.364F	Plastic Wheel 50mm
21	530.609	Distance tube 8/6 x 28mm
22	P497H	Washer DIN 9021 M6 6,4/18/1,6 A2
23	P486U	Screw DIN 912 M6 x 35 A2 with shaft
24	P494X	Handle BN 5364 M6 10/20 / 7.5 POM
25	530.607	Star handle ø40 M8 x 16
26	P253B	Levier de serrage

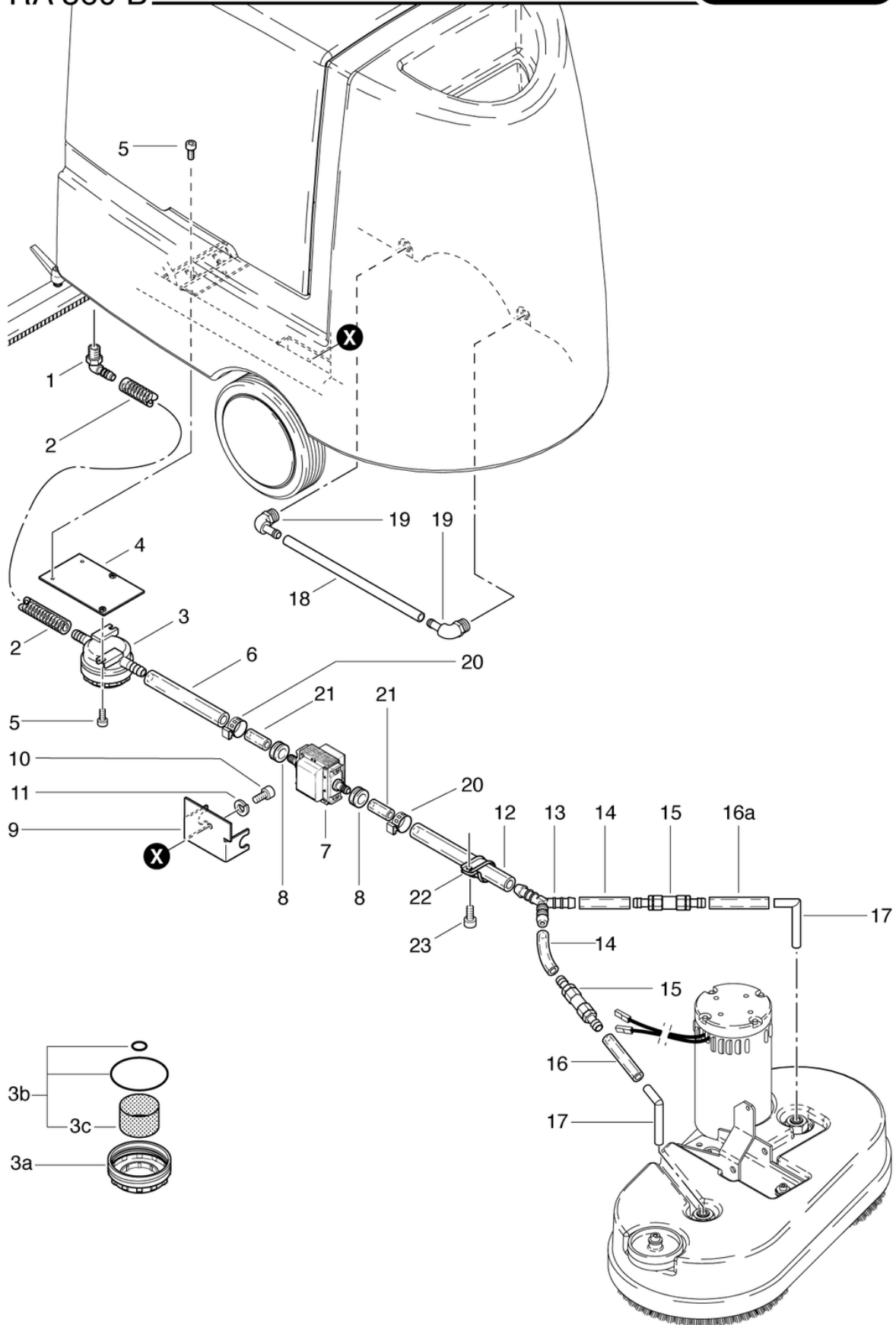
RA560B

Waterdistribution

PDF created on: 16.07.2024 15:26



RA 560 B



RA560B

Waterdistribution

PDF created on: 16.07.2024 15:26

Pos.	Item no.	Spare part
1	P541D	Elbow nipple WES 12 / R3 / 8 "
2	560.236	Hose
3a	430.258	Cover to fresh water filter 1/2" + 3/8"
3b	430.759A	Filter Assembly
3c	430.759B	Filter sieve
3	430.759	Fresh water filter 1/2"-1/2" mesh 40
4	560.427	Fastening plate
5	P486A	Screw DIN 912 M4 x 12
6	560.235	Hose
7	P817A	NDS-X Pump 24V
8	P207A	Grommet
9	560.426	Holding plate to pump
10	P486Q	Screw DIN 912 M6 x 12 A2
11	P498U	Ring DIN 127 B M6 6,1/11,8/1,6 A2
12	560.231	Hose
13	P542E	Y-piece 8mm
14	560.232	Hose
15	560.240	Pressure Valve
16a	560.233	Hose
16	560.234	Hose
17	560.220	Solution tube
18	560.237	Pressure hose
19	P541H	Elbow nipple WES 8 / R1 / 4
20	P550N	Hose clamp 19.8-706R
21	560.238	Pressure hose
22	P281G	Cable support
23	P475H	Screw DIN 85 A M5 x 8

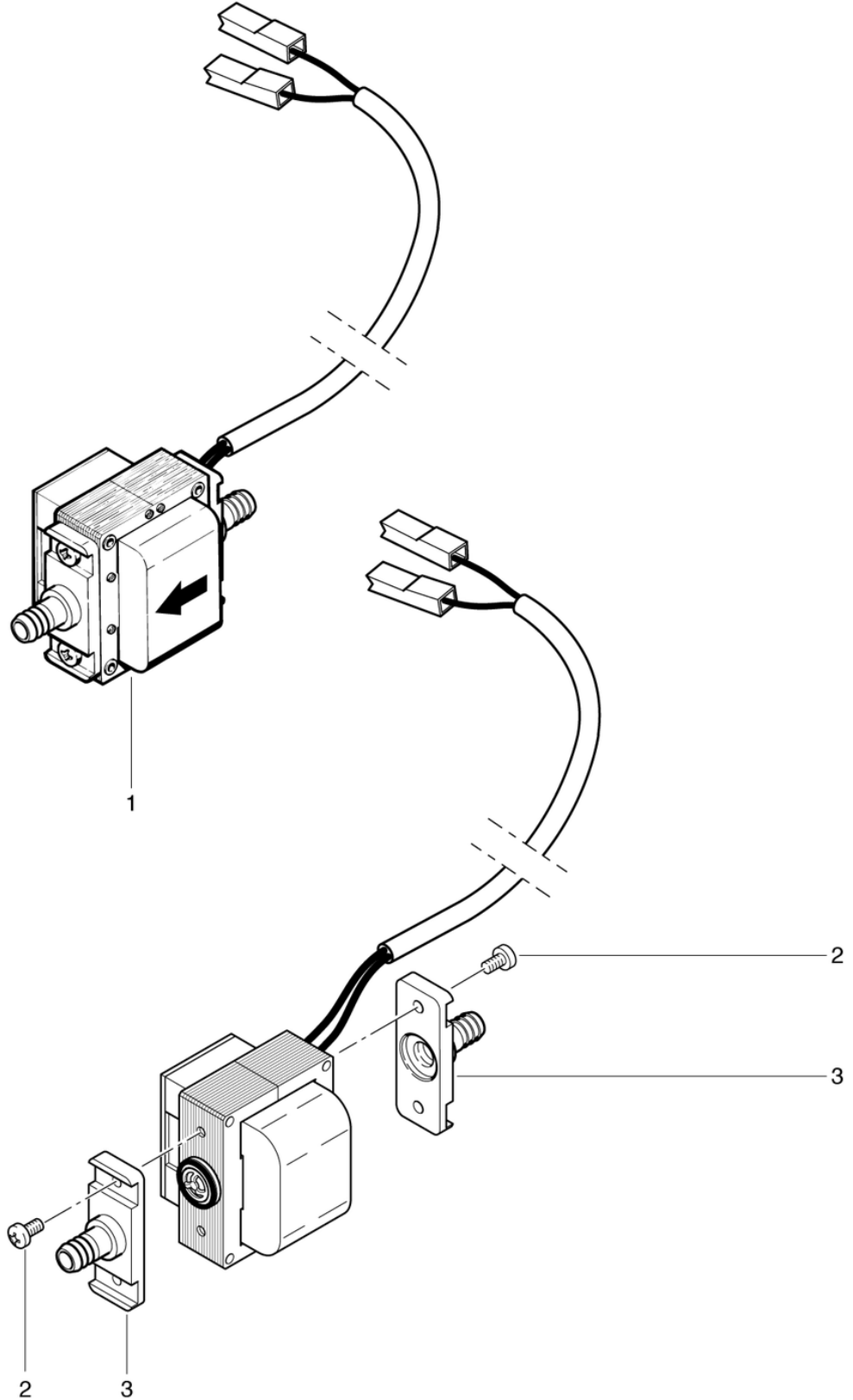
RA560B

Pump

PDF created on: 16.07.2024 15:26



RA 560 B



RA560B

Pump

PDF created on: 16.07.2024 15:26

Pos.	Item no.	Spare part
1	P817A	NDS-X Pump 24V
2	P481M	Screw DIN 7985 M4 x 10 A2
3	P809M	Connecting even

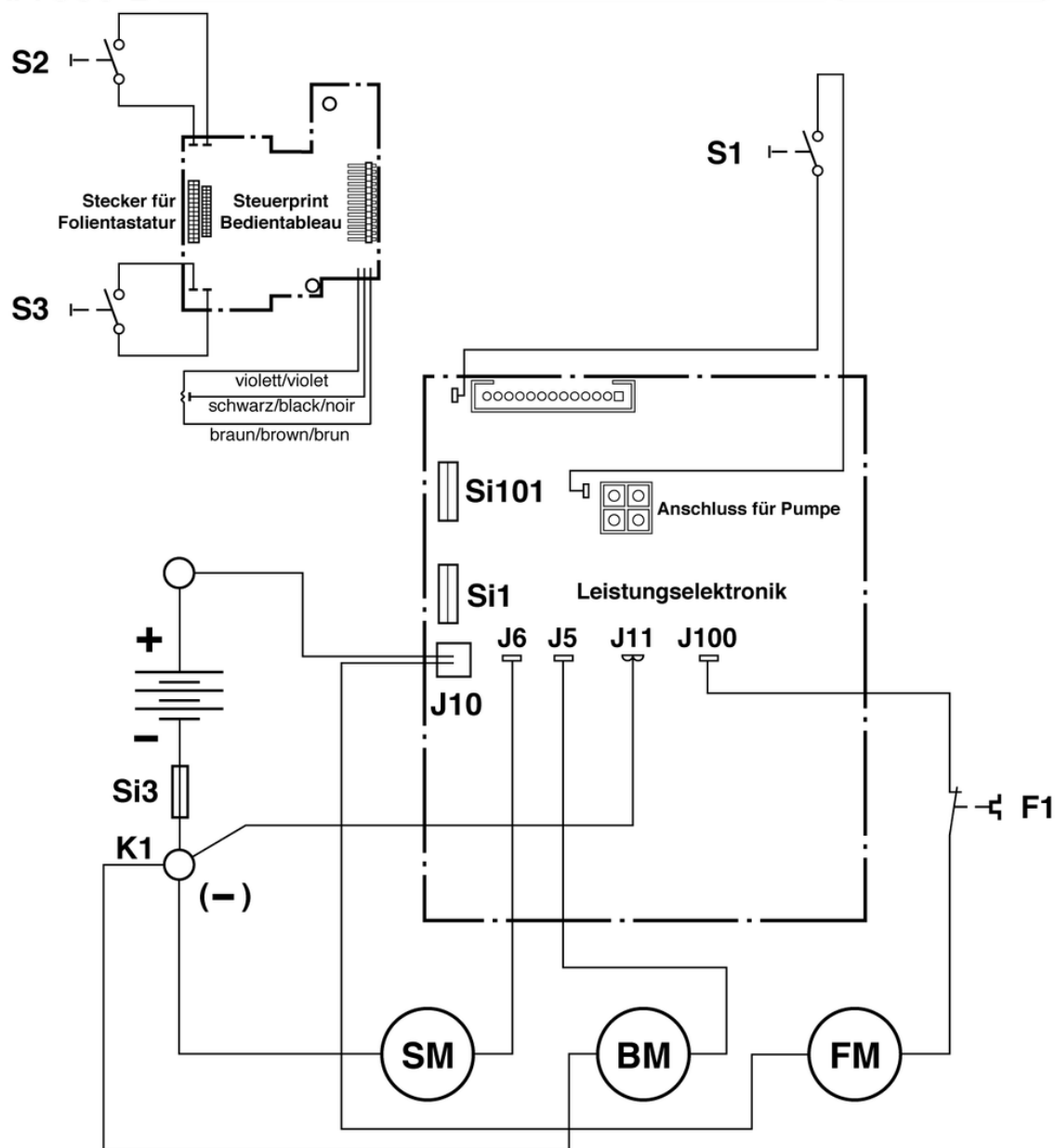
RA560B

Wiring diagram

PDF created on: 16.07.2024 15:26



RA 560 B



- Si 1 = Feinsicherung 3,15 A / Fuse 3,15 A / Fusible 3,15 A
- Si 101 = Feinsicherung 1 A / Fuse 1 A / Fusible 1 A
- Si 3 = Hauptsicherung 50 A / Fuse 50 A / Fusible 50 A
- F 1 = Thermorelais 10 A / Relais 10 A / Relais 10 A
- S 1 = Schwimmerschalter
- S 2 = Schlüsselschalter
- S 3 = Tastschalter Fahrmotor
- K 1 = Klemme für Minuspol
- SM = Saugmotor / Vacuum motor / Moteur d'aspiration
- BM = Bürstmotor / Motor / Moteur
- FA = Fahrmotor / Driving motor / Moteur à rouler