

CLEANFIX RS05 Silent

Contents

PDF created on: 16.07.2024 10:29



RS 05

Saugset
Tuyau d'aspiration set
Suction set
B 4 / ST 4

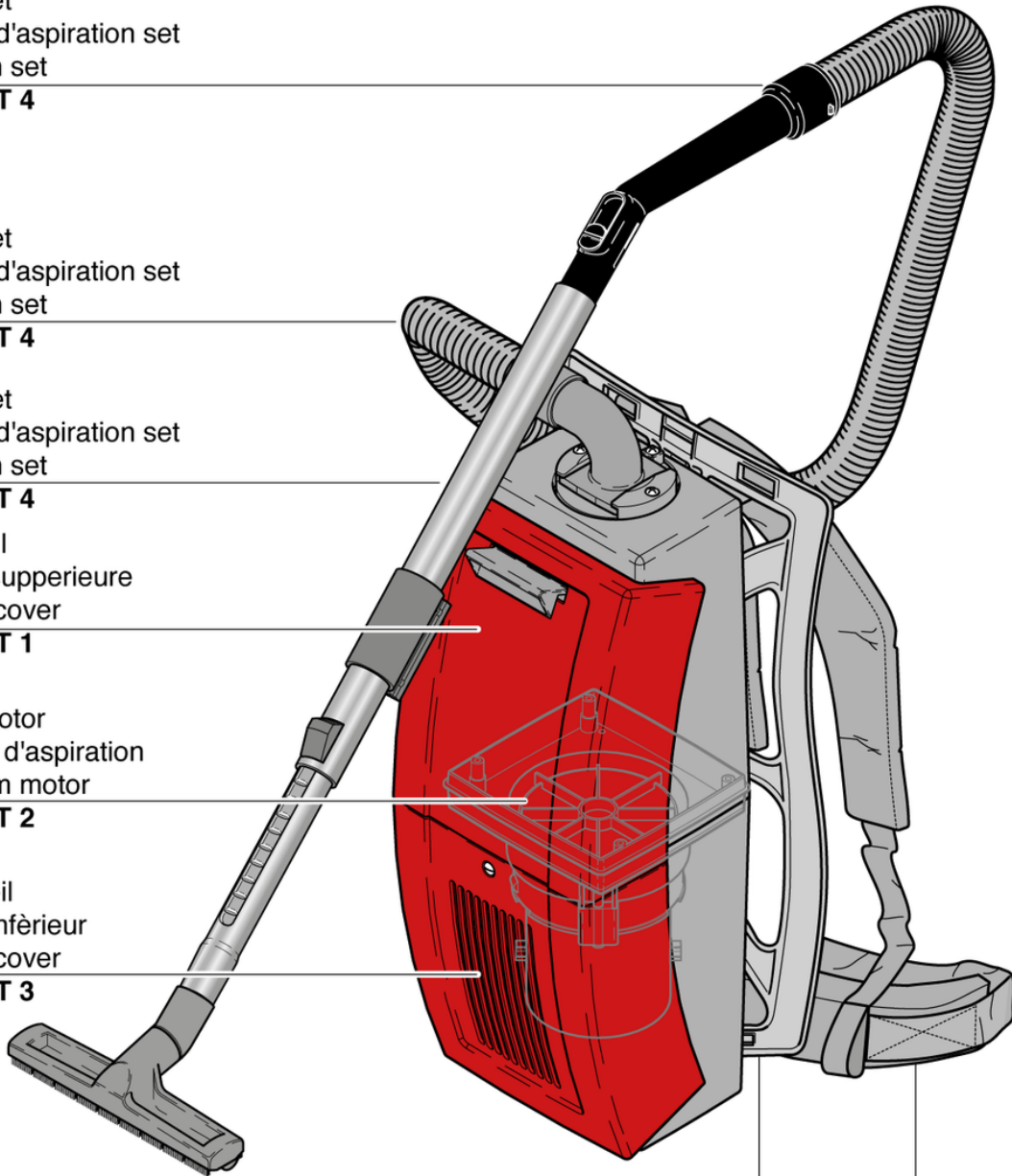
Saugset
Tuyau d'aspiration set
Suction set
B 4 / ST 4

Saugset
Tuyau d'aspiration set
Suction set
B 4 / ST 4

Oberteil
Pièce supérieure
Upper cover
B 1 / ST 1

Saugmotor
Moteur d'aspiration
Vacuum motor
B 2 / ST 2

Unterteil
Pièce inférieure
Lower cover
B 3 / ST 3



Stromlaufplan
Diagramme électrique
Wiring diagram
B 5 / ST 5

Rückentragteil
Pièce à porter du dos
Back carrying frame
B 4 / ST 4

CLEANFIX RS05 Silent

Upper cover

PDF created on: 16.07.2024 10:29

Pos.	Item no.	Spare part
1	025.111	Dust cover red cpl. CL
2	025.110	Filter Bag Cover
3	025.103	Cover-handle, anthracite gray
4	025.106	Spring
6	025.112	Hose clamp, anthracite gray
7	P516F	Screw WN 1451 K30 x 16
8	025.115	Corner-pice left, red
9	025.119	Corner pice right, red CL
10	025.124	Seal dust cover
11	P515E	Screw WN 1452 K50 x 30
12	4012234	Anthracite gray tub connection
13	025.133	Air inlet port
14	025.431	Fleece bag (5 pieces)
15	025.139	Thread plate
16	P485	Blind rivet 3.2 x 17
17	025.145	Upper Cover
18	025.270	Cover 150 x 150

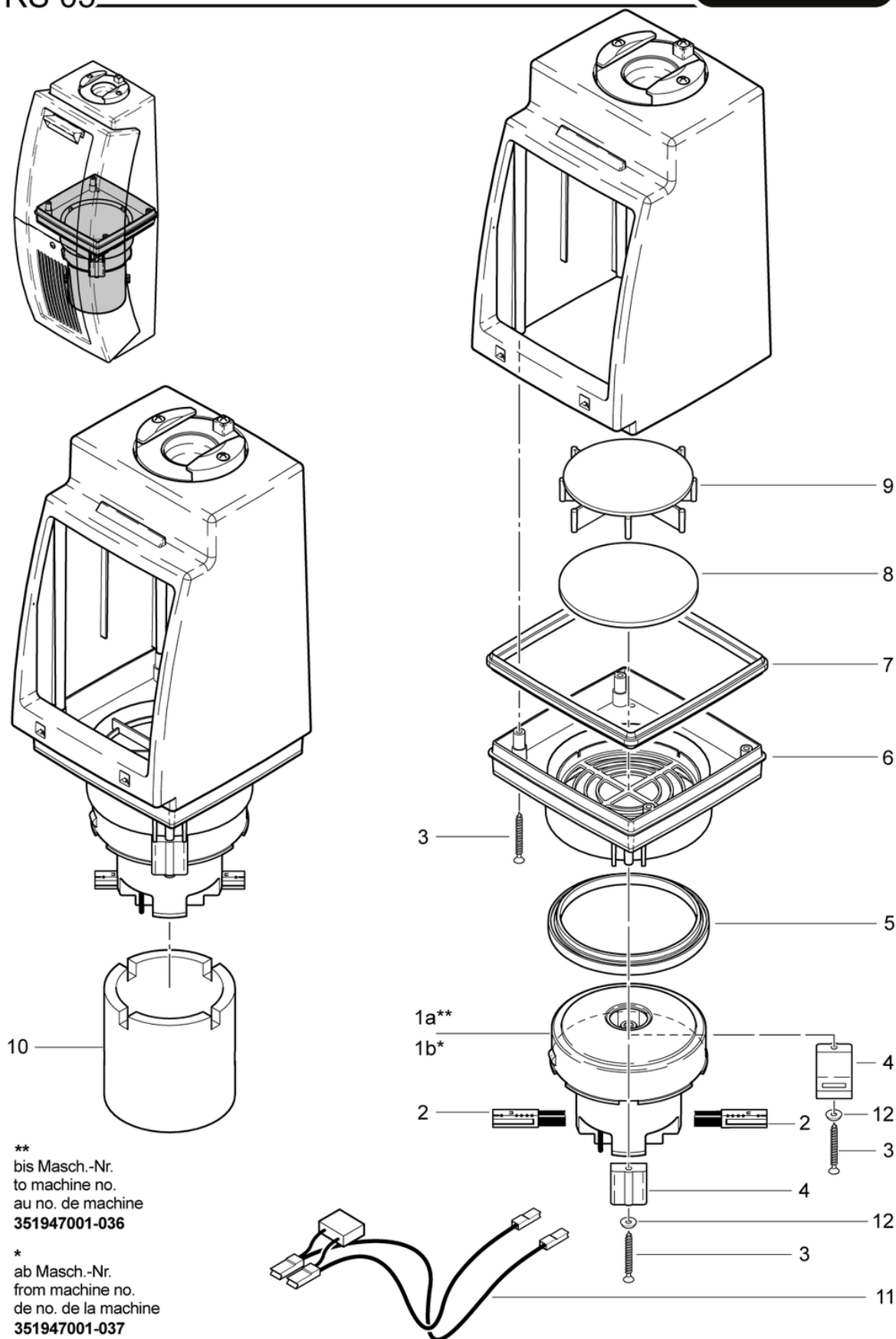
CLEANFIX RS05 Silent

Vacuum motor

PDF created on: 16.07.2024 10:29



RS 05



**
bis Masch.-Nr.
to machine no.
au no. de machine
351947001-036

*
ab Masch.-Nr.
from machine no.
de no. de la machine
351947001-037

CLEANFIX RS05 Silent

Vacuum motor

PDF created on: 16.07.2024 10:29

Pos.	Item no.	Spare part
1a	P873	Suction motor 220-240V 50/60Hz 650W
1b	P872	Suction motor 220-240V 850W 50Hz
2	P872A	Carbon brushes (pair)
3	P515KA	Screw SPAX 4,5 x 60
4	025.259	Frame
5	025.268	Rubber Mounting
6	025.265	Motor Support
7	025.269	Motor support seal
8	025.271	Motor Filter Disc
9	025.274	Distance Seal RS05
10	025.277	Motor insulation
11	012.143	Motor cable harness incl. cond.
12	P500U	Washer DIN 17670 M5 5,3/16/2,8

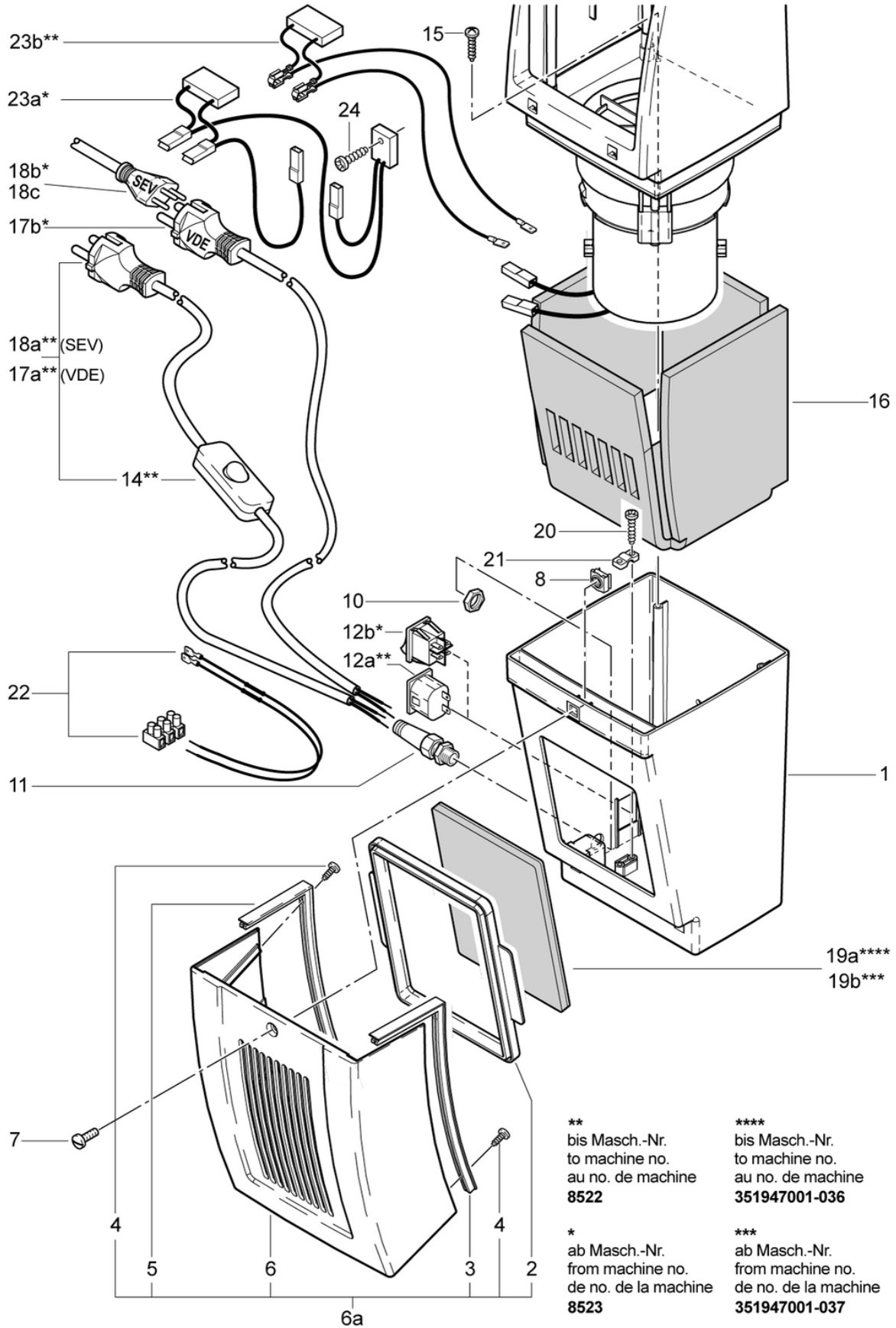
CLEANFIX RS05 Silent

Lower cover

PDF created on: 16.07.2024 10:29



RS 05



**
bis Masch.-Nr.
to machine no.
au no. de machine
8522

bis Masch.-Nr.
to machine no.
au no. de machine
351947001-036

*
ab Masch.-Nr.
from machine no.
de no. de la machine
8523

ab Masch.-Nr.
from machine no.
de no. de la machine
351947001-037

CLEANFIX RS05 Silent

Lower cover

PDF created on: 16.07.2024 10:29

Pos.	Item no.	Spare part
1	025.244	Lower Cover RS05
2	025.203	Filter Cover Seal
3	025.115	Corner-pice left, red
4	P516F	Screw WN 1451 K30 x 16
5	025.119	Corner pice right, red CL
6a	025.242	Lower Cover
6	025.241	Filter Cover
7	P480R	Screw WN 7380 M5 x 16
8	P494P	Nut BN 3307 M5 1.7-2.7 A2
10	P279H	Lock nut PG9 brass nickel-plated
11	P279K	Cable gland PG9 with kink protection spiral
12a	P380C	Device socket 2P
12b	P240F	Rocker switch LED
14	025.239	Tumbler switch 1/0
15	P515X	Screw WN 1452 K40 x 20
16	025.230	Noise absorbing sheet
17a	025.233	Mains cable VDE 2 x 1.00mm ² , 15m, with switch
17b	025.234	Mains cable VDE 2 x 1.00mm ² , 15m
18a	025.236	Mains cable SEV 2 x 1.00mm ² , 15m, with switch
18b	025.235	Mains cable SEV 2 x 1.00mm ² , 15m, gray
18c	025.240	Mains cable SEV 2 x 1.00mm ² , 20m, orange
19a	025.221	Exhaust air filter mat for motor P873 / 650W
19b	780.921	Exhaust air filter mat for motor P872 / 850W
20	P516Q	Screw WN 1452 K50 x 18
21	4611085	Cable Clamp
22	025.210	Cable block 3-ways
23a	012.143	Motor cable harness incl. cond.
23b	025.143	Motor cable harness with clamp and temperature control
24	P516C	Screw WN 1452 K40 x 16

CLEANFIX RS05 Silent

Back carrying frame and Suction set

PDF created on: 16.07.2024 10:29

Pos.	Item no.	Spare part
1a	P480R	Screw WN 7380 M5 x 16
1b	P494S	Nut M5 1.2-1.6 St vz
1c	025.159	Carrier set for RS05
1d	025.155	Back part
1	025.150	Adjustable carrying frame cpl.
3	025.050	Suction hose 1,5m, with hand tube
4	025.074	Suction hose NW32, 1.4m
5	025.071	Hose end connector RS05
6	900.670	Hand tube with air flap slide
7	P581B	Slide
8b	022.015	Telescope vacuuming tube
9	646.200	Hard floor nozzle with brush strip, 30cm
10	645.004	Upholstery nozzle
11	645.006	Rubber crevice tool
12	645.005	Dropery brush

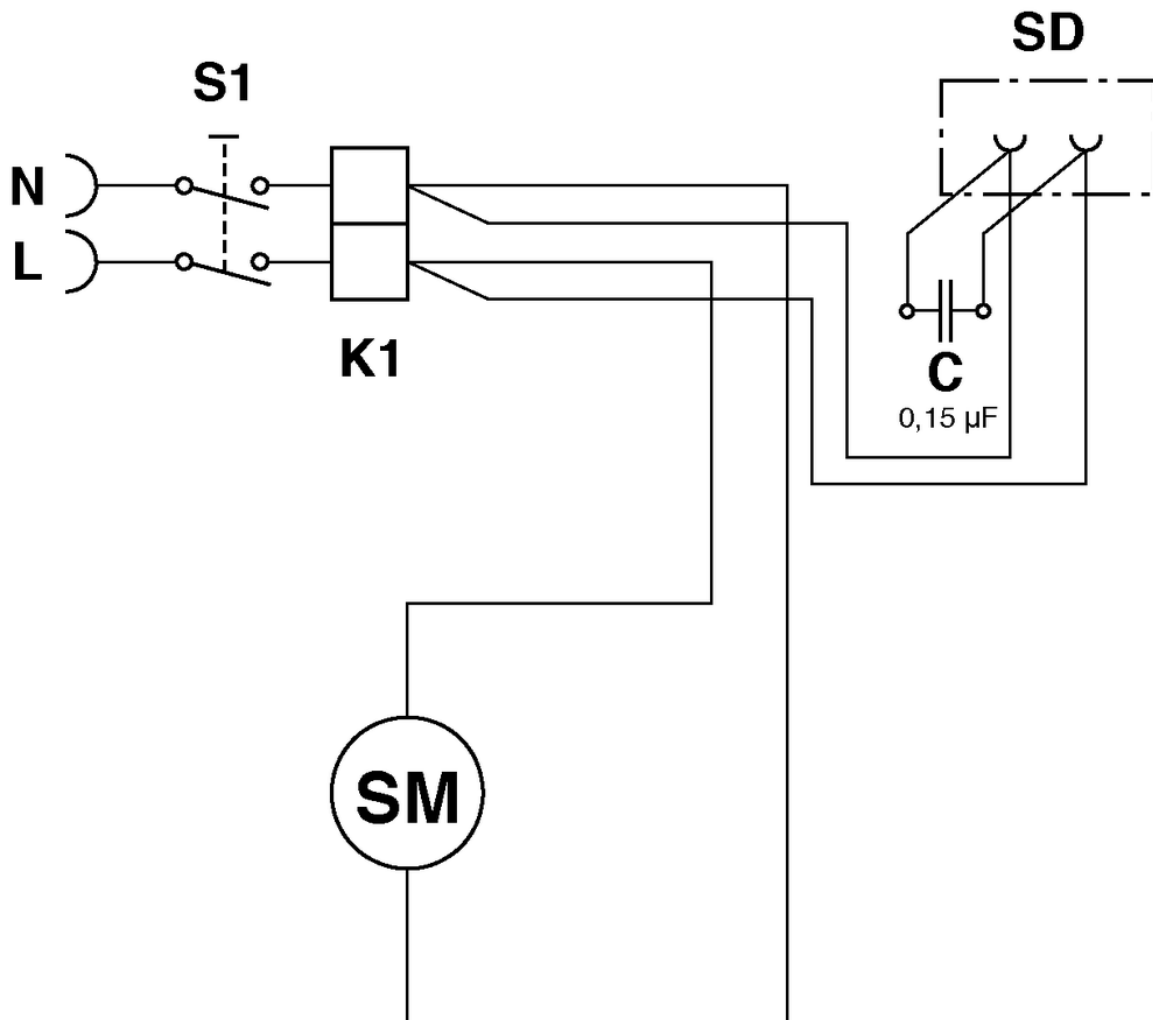
CLEANFIX RS05 Silent

Wiring diagram

PDF created on: 16.07.2024 10:29



RS 05



- K1 = Reihenklemme / Serre-fil / Cable clamp
- S1 = Schnurwippschalter bis Masch. Nr. 8522
Tumbler switch up to machine no. 8522
Interruptionneur à des appareils no. 8522
- S1 = Wippschalter LED ab Masch. Nr. 8523.001
Interruptionneur à bascule LED de la machine n° 8523.001
LED rocker switch from machine No. 8523.001
- SD = Steckdose / Plug socket / Prise
- C = Kondensator 0,15 µF / Capacitor 0,15 µF / Capaciteur 0,15 µF
- SM = Saugmotor / Moteur d'aspiration / Vacuum motor