

S10 plus Eco

Contents

PDF created on: 01.09.2024 15:18



S10 plus Eco

Saugset
Tuyau d'aspiration
Suction set
B 3 / ST 3

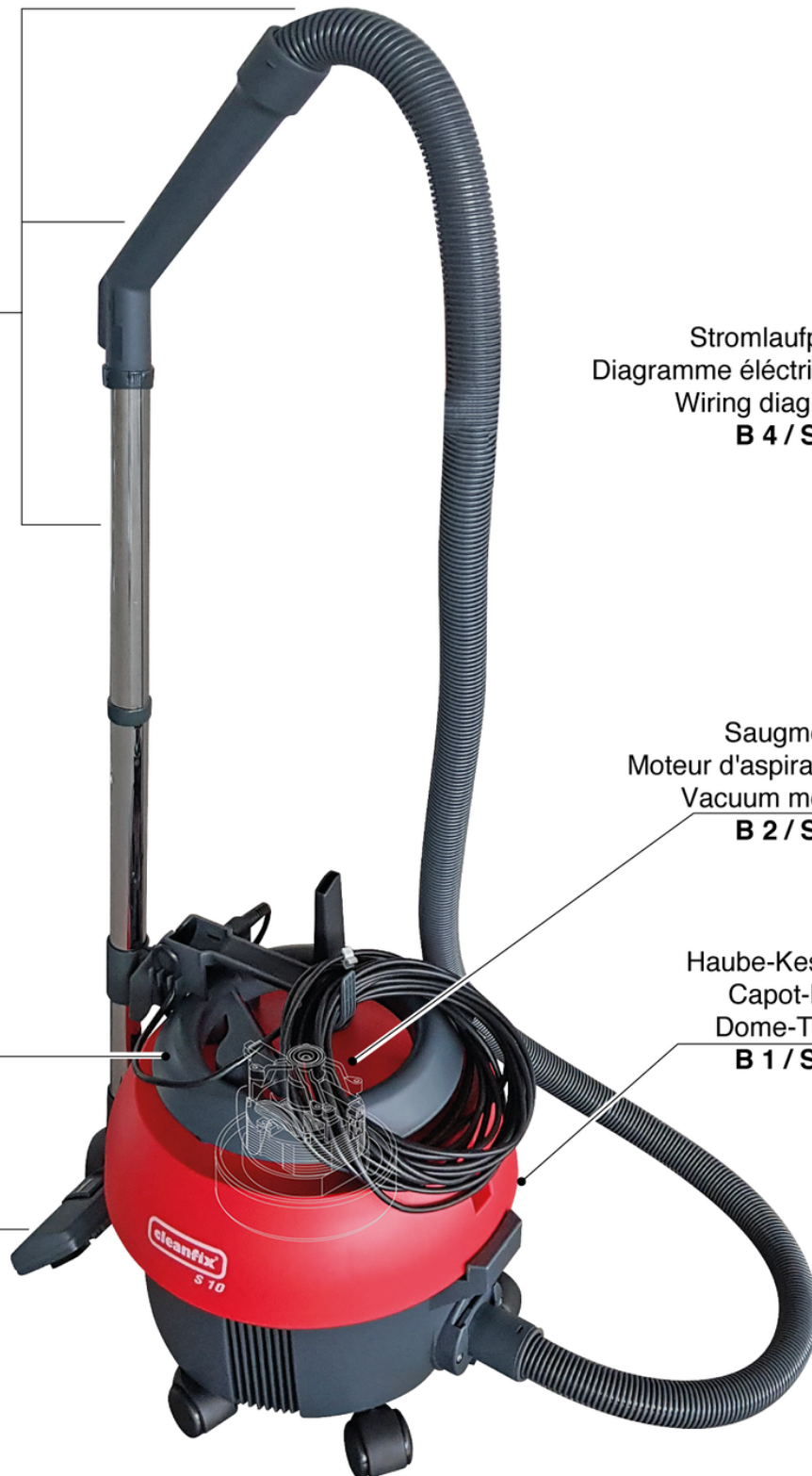
Stromlaufplan
Diagramme électrique
Wiring diagram
B 4 / ST 4

Saugmotor
Moteur d'aspiration
Vacuum motor
B 2 / ST 2

Haube-Kessel
Capot-Bac
Dome-Tank
B 1 / ST 1

Haube-Kessel
Capot-Bac
Dome-Tank
B 1 / ST 1

Saugset
Tuyau d'aspiration
Suction set
B 3 / ST 3



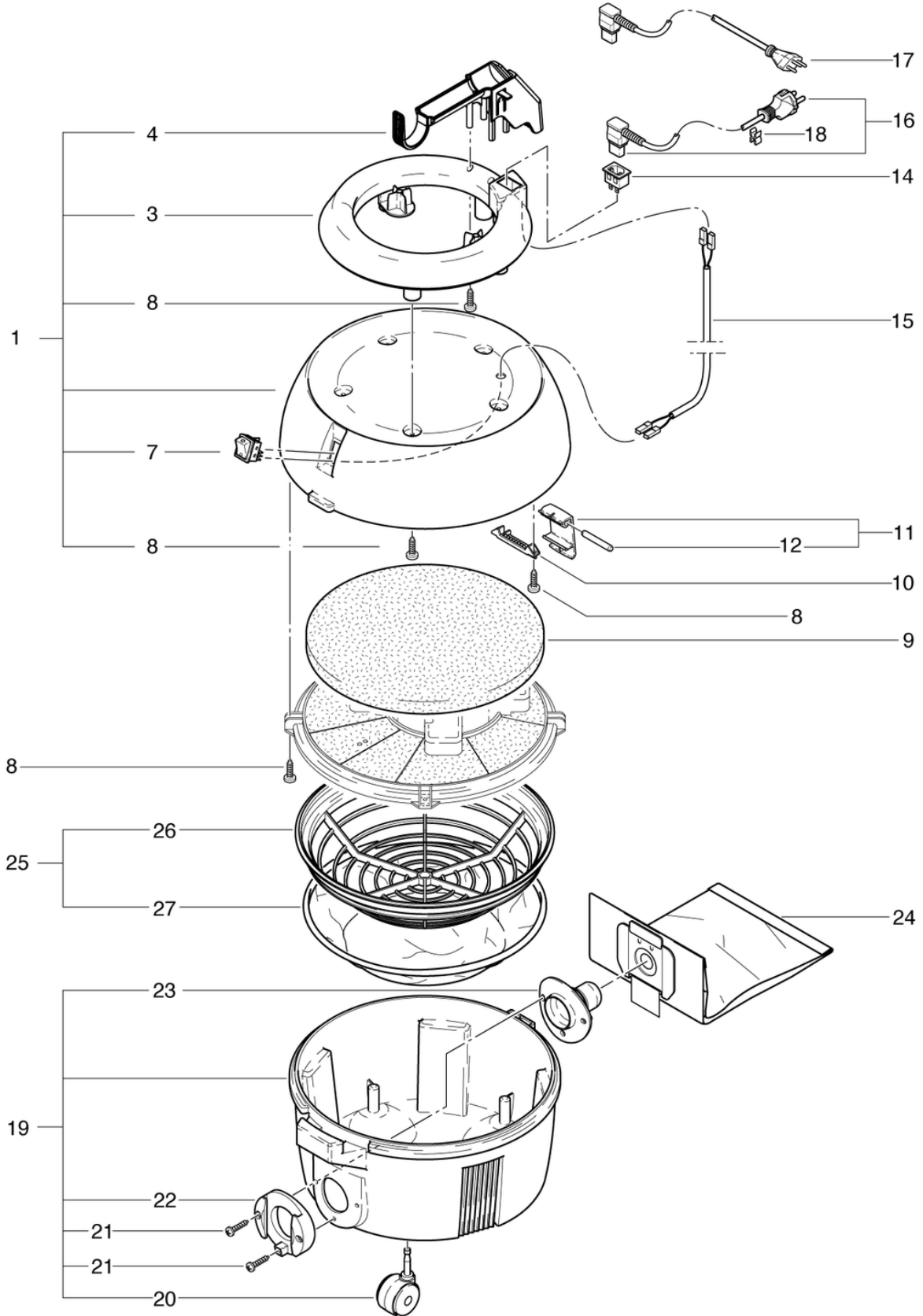
S10 plus Eco

Dome-Tank

PDF created on: 01.09.2024 15:18



S10 plus Eco



S10 plus Eco

Dome-Tank

PDF created on: 01.09.2024 15:18

| Pos. | Item no. | Spare part |
|-------------|-----------------|---|
| 1 | 022.110S | Cover S10 Plus compl. |
| 3 | 012.113 | Handle anthracite gray |
| 4 | 022.156 | Carrying handle |
| 7 | P240F | Rocker switch LED |
| 8 | P516GB | Screw W 1451 K40 x 14 |
| 9 | 022.116 | Noise Absorbing Sheet |
| 10 | 020.114 | bolt holder anthracite gray hard |
| 11 | 020.116 | Seal lever complete |
| 12 | 022.115 | Pin |
| 14 | 012.161 | Device plug 2P. New |
| 15 | 012.152 | Cable connection 0.6m, black |
| 16 | 022.150 | Main cable VDE 2 x 1.00mm ² , 10m, black |
| 17 | 022.150A | Main cable SEV 2 x 1.00mm ² , 10m |
| 18 | P278 | Cable - clips gray |
| 19 | 012.200 | Tank cpl. |
| 20 | P204F | Castor ø50mm |
| 21 | P515E | Screw WN 1452 K50 x 30 |
| 22 | 4012234 | Anthracite gray tub connection |
| 23 | 4012393 | Bag Inlet |
| 24 | 022.430 | Paper dustbag (5 pieces) |
| 25 | 022.300 | Dustbag basket with filter cpl. |
| 26 | 022.310A | Filter |
| 27 | 022.320 | Filter cloth |

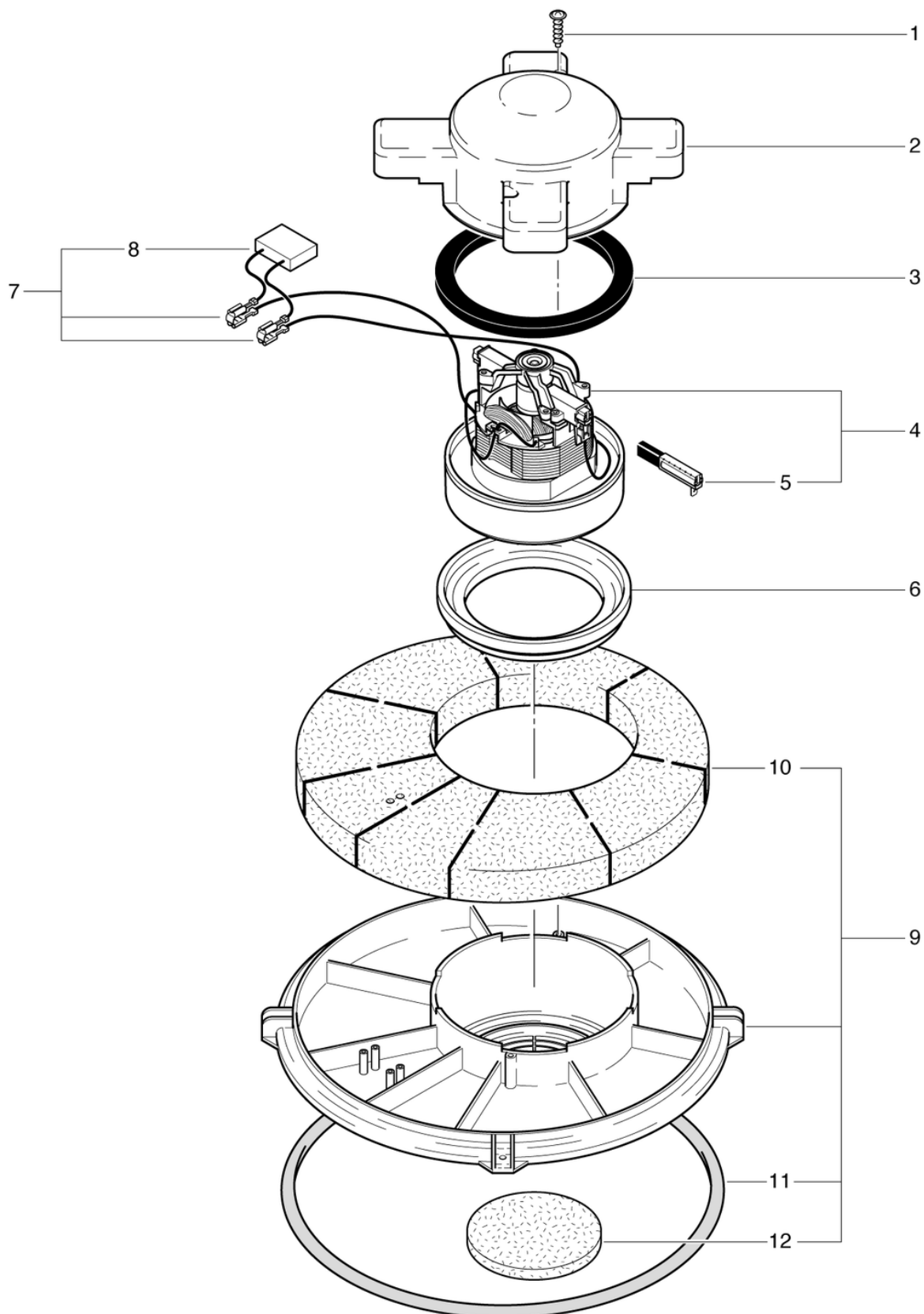
S10 plus Eco

Vacuum motor

PDF created on: 01.09.2024 15:18



S10 plus Eco



S10 plus Eco

Vacuum motor

PDF created on: 01.09.2024 15:18

| Pos. | Item no. | Spare part |
|-------------|-----------------|-------------------------------------|
| 1 | P516G | Screw WN 1451 K40 x 16 |
| 2 | 022.132 | Lower Motor Housing |
| 3 | 012.133 | Seal for Motor S10/12 |
| 4 | P873 | Suction motor 220-240V 50/60Hz 650W |
| 5 | P872A | Carbon brushes (pair) |
| 6 | P971J | Turbine seal S10 / 12 |
| 7 | 012.143 | Motor cable harness incl. cond. |
| 8 | P393E | Capacitor 0.15 uF |
| 9 | 022.130 | Motorplate Complete |
| 10 | 022.135 | Noise Absorber |
| 11 | 022.136 | Bucket Gasket |
| 12 | 022.134 | Air Filter for Motor |

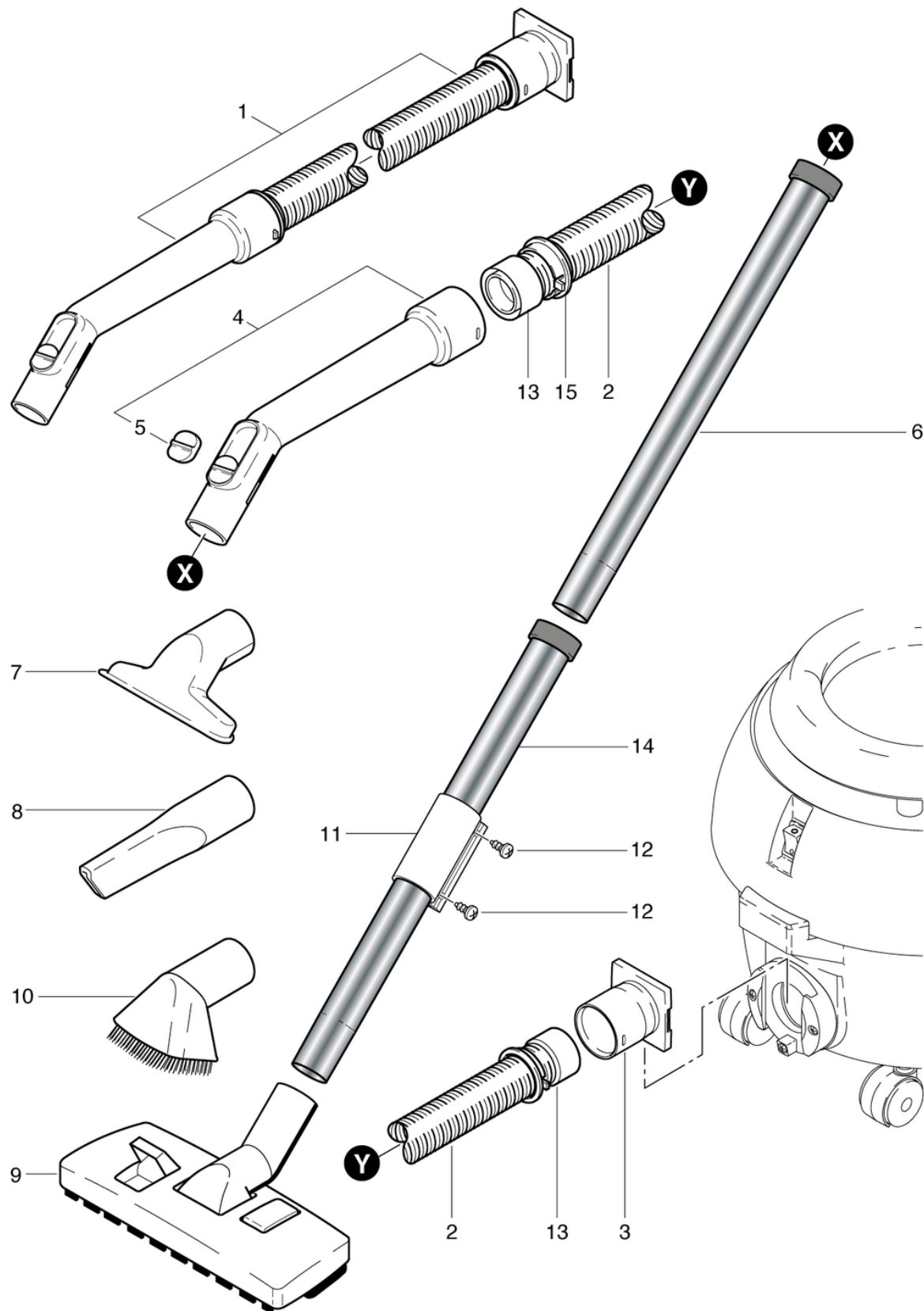
S10 plus Eco

Suction set

PDF created on: 01.09.2024 15:18



S10 plus Eco



S10 plus Eco

Suction set

PDF created on: 01.09.2024 15:18

| Pos. | Item no. | Spare part |
|-------------|-----------------|--|
| 1 | 012.567 | Suction hose 2.2m with hand tube and air flap |
| 2 | 900.569 | Suction hose NW32 x 2.2m |
| 3 | 012.570 | Hose End Connector |
| 4 | 900.670 | Hand tube with air flap slide |
| 5 | P581B | Slide |
| 6 | 645.002 | Metallic tube |
| 7 | 645.004 | Upholstery nozzle |
| 8 | 645.006 | Rubber crevice tool |
| 9 | 645.103 | Combi nozzle |
| 10 | 645.005 | Dropery brush |
| 11 | 012.411 | Sliding clamp |
| 12 | P515W | Screw WN 1451 K40 x 8 |
| 13 | P583 | Support ring for screw on ø32 |
| 14 | 012.410 | Vacuum cleaner pipe chrome-plated with slide clamp |
| 15 | P578 | Click ring gray |

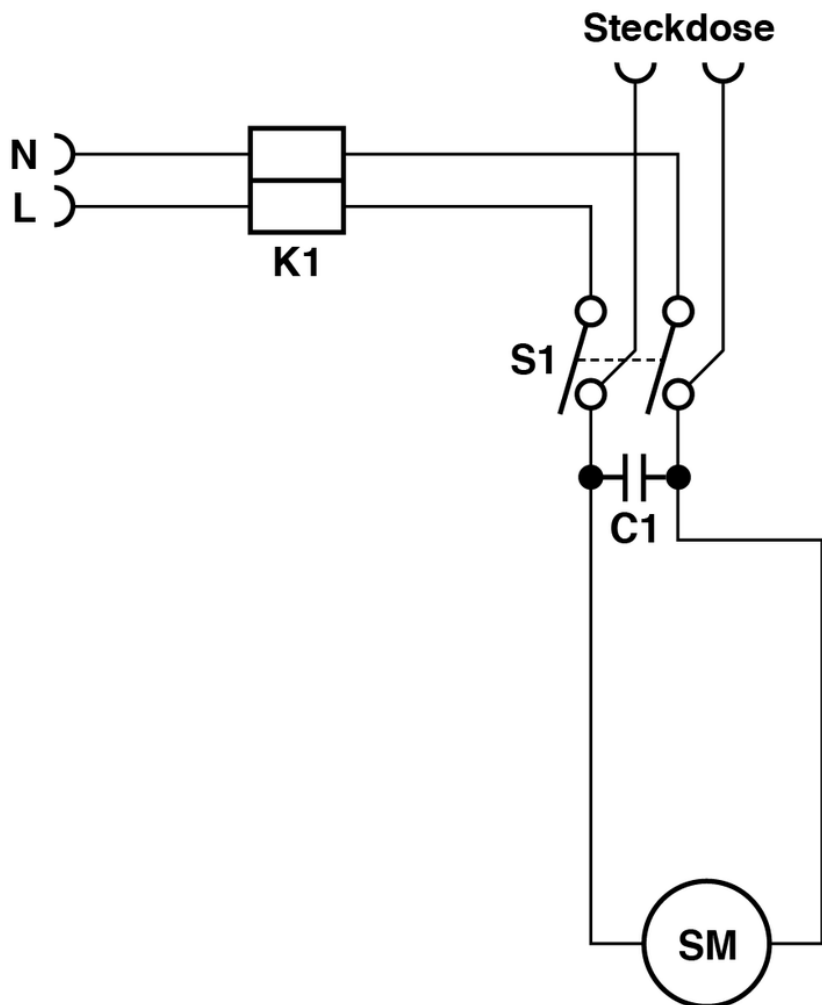
S10 plus Eco

Wiring diagram

PDF created on: 01.09.2024 15:18



S 10 plus Eco



- K1 = Reihenklemme / Serre-fil / Cable clamp
- S1 = Wippenschalter / Interrupteur / Tumbler switch
- C1 = Kondensator 0.15 uF / Condensateur 0.15 uF / Capacitor 0.15 uF
- SM = Saugmotor / Moteur d'aspiration / Vacuum motor