

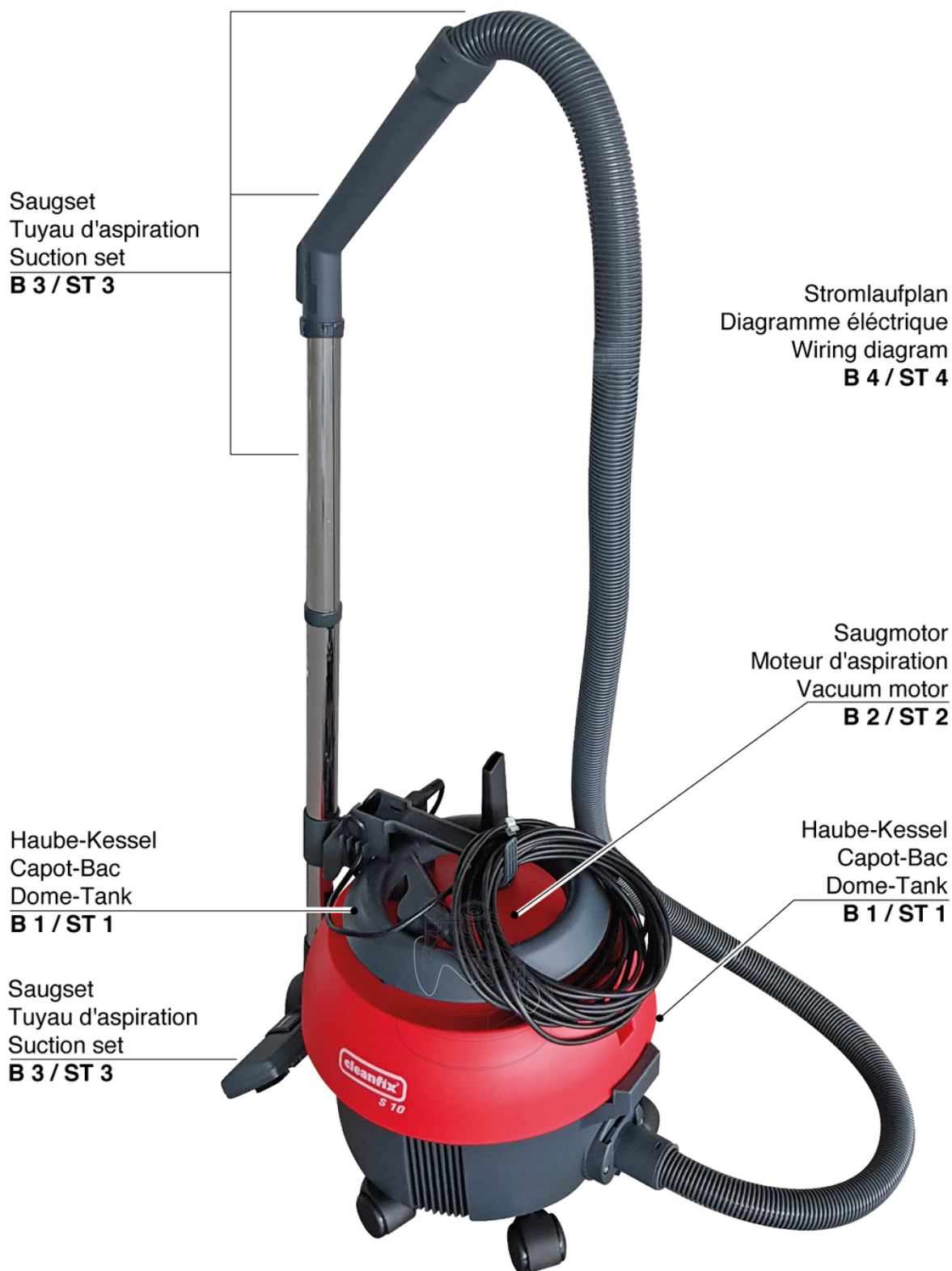
S10 plus HEPA Eco

Contents

PDF created on: 01.09.2024 15:26



S10 plus HEPA Eco



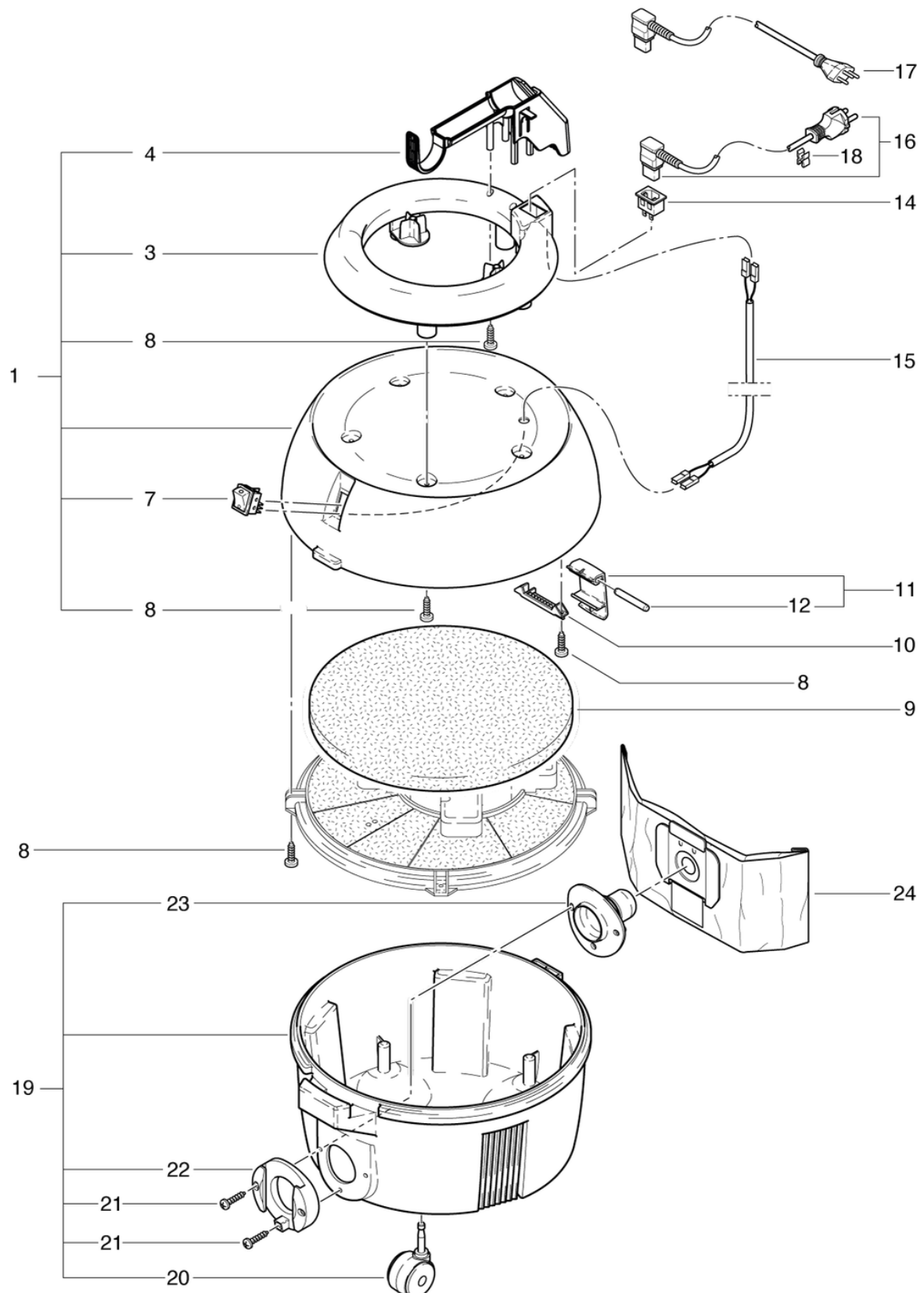
S10 plus HEPA Eco

Dome-Tank

PDF created on: 01.09.2024 15:26



S10 plus HEPA Eco



S10 plus HEPA Eco

Dome-Tank

PDF created on: 01.09.2024 15:26

Pos.	Item no.	Spare part
1	022.110S	Cover S10 Plus compl.
3	012.113	Handle anthracite gray
4	022.156	Carrying handle
7	P240F	Rocker switch LED
8	P516GB	Screw W 1451 K40 x 14
9	022.116	Noise Absorbing Sheet
10	020.114	bolt holder anthracite gray hard
11	020.116	Seal lever complete
12	022.115	Pin
14	012.161	Device plug 2P. New
15	012.152	Cable connection 0.6m, black
16	022.150	Main cable VDE 2 x 1.00mm ² , 10m, black
17	022.150A	Main cable SEV 2 x 1.00mm ² , 10m
18	P278	Cable - clips gray
19	012.200	Tank cpl.
20	P204F	Castor ø50mm
21	P515E	Screw WN 1452 K50 x 30
22	4012234	Anthracite gray tub connection
23	4012393	Bag Inlet
24	022.433	Dustbag (5 pieces)

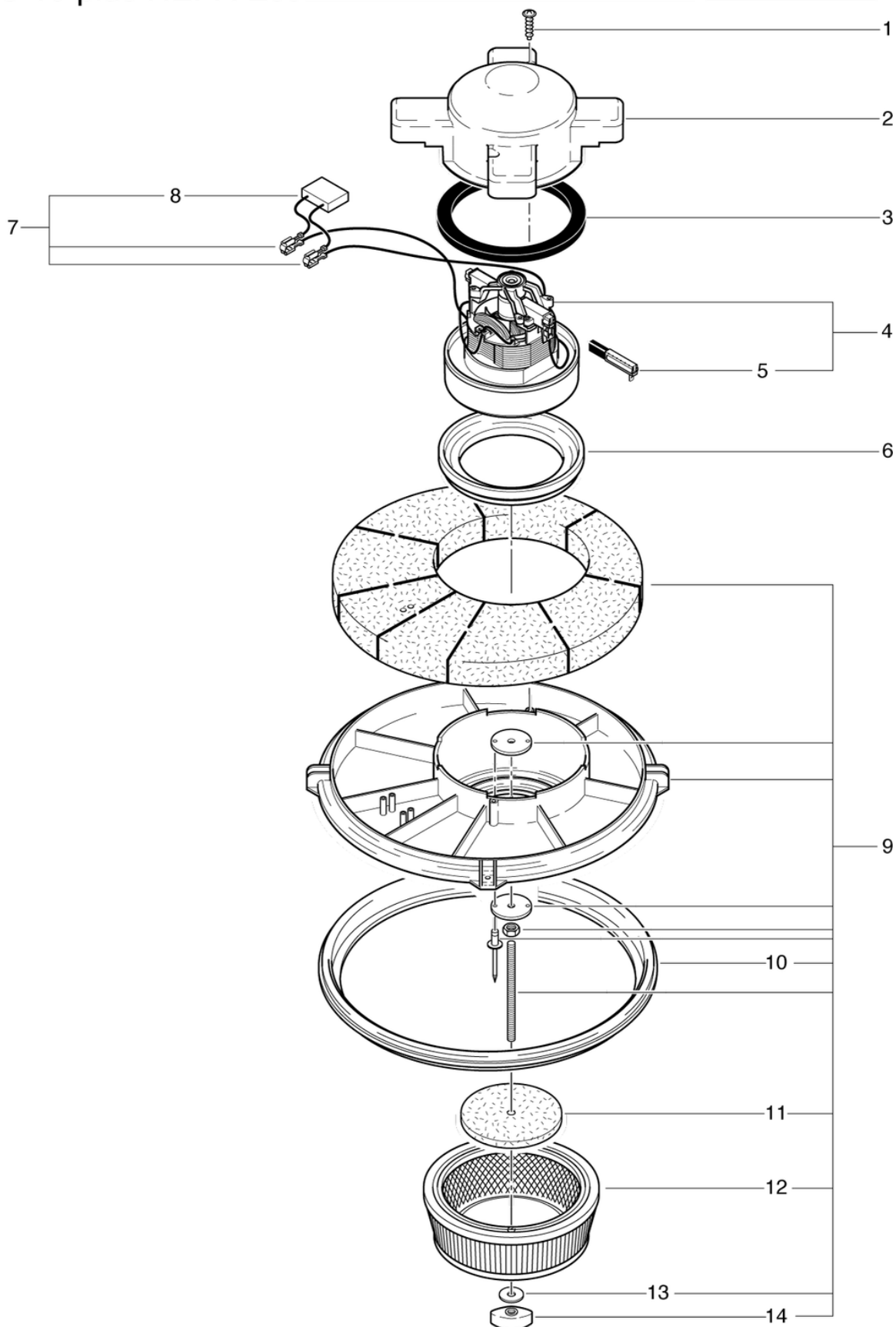
S10 plus HEPA Eco

Vacuum motor

PDF created on: 01.09.2024 15:26



S 10 plus HEPA Eco



S10 plus HEPA Eco

Vacuum motor

PDF created on: 01.09.2024 15:26

Pos.	Item no.	Spare part
1	P516G	Screw WN 1451 K40 x 16
2	022.132	Lower Motor Housing
3	012.133	Seal for Motor S10/12
4	P873	Suction motor 220-240V 50/60Hz 650W
5	P872A	Carbon brushes (pair)
6	P971J	Turbine seal S10 / 12
7	012.143	Motor cable harness incl. cond.
8	P393E	Capacitor 0.15 uF
9	022.130H	S10 Hepa Motor Plate
10	012.450	Seal for S12 Hepa
11	022.134	Air Filter for Motor
12	022.450	Hepa filter cartridge
13	P496G	Shim DIN 9021 M5 5,3/15/1,2
14	P253H	Wing nut M5 IG

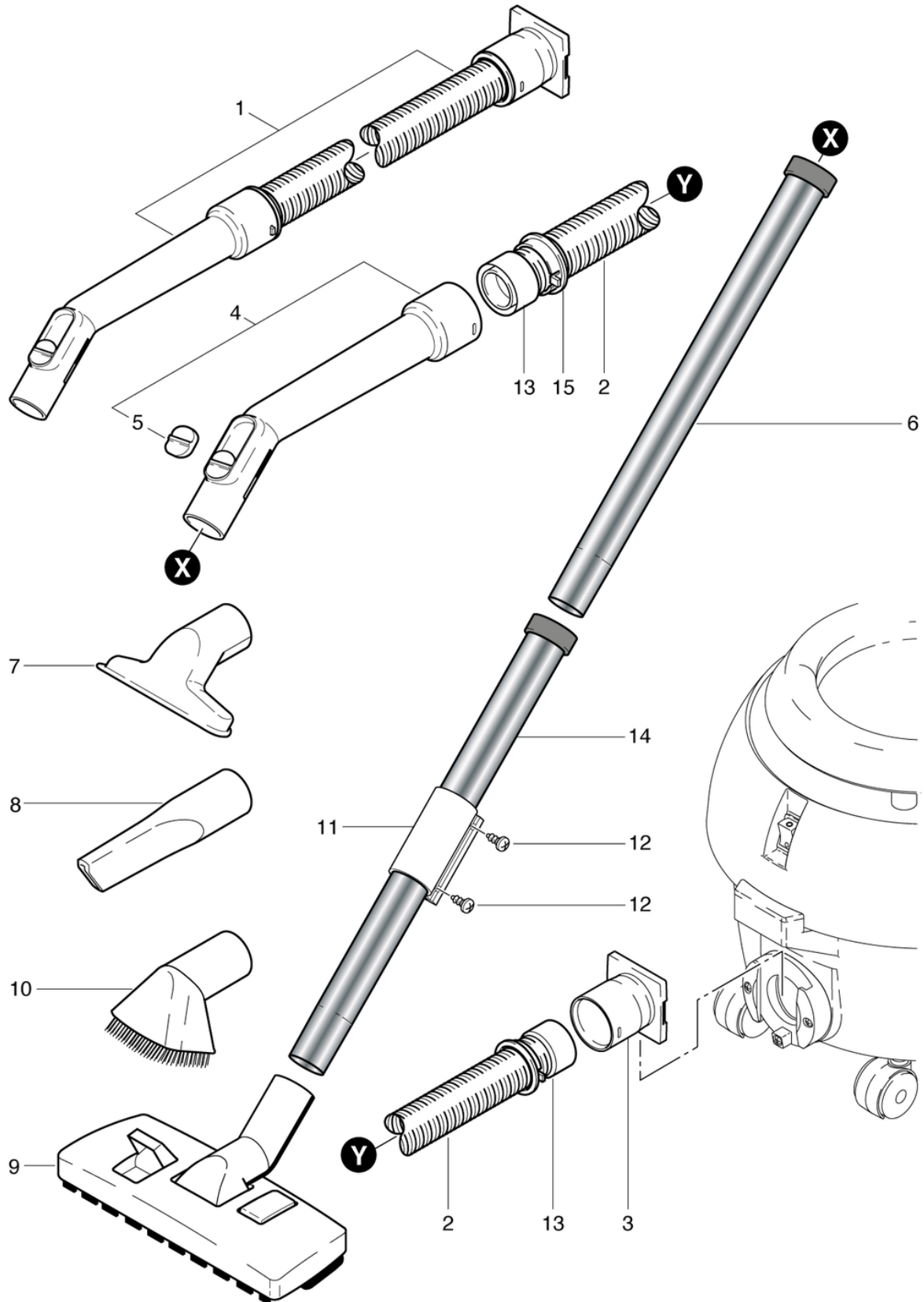
S10 plus HEPA Eco

Suction set

PDF created on: 01.09.2024 15:26



S 10 plus HEPA Eco



S10 plus HEPA Eco

Suction set

PDF created on: 01.09.2024 15:26

Pos.	Item no.	Spare part
1	012.567	Suction hose 2.2m with hand tube and air flap
2	900.569	Suction hose NW32 x 2.2m
3	012.570	Hose End Connector
4	900.670	Hand tube with air flap slide
5	P581B	Slide
6	645.002	Metallic tube
7	645.004	Upholstery nozzle
8	645.006	Rubber crevice tool
9	645.103	Combi nozzle
10	645.005	Dropery brush
11	012.411	Sliding clamp
12	P515W	Screw WN 1451 K40 x 8
13	P583	Support ring for screw on ø32
14	012.410	Vacuum cleaner pipe chrome-plated with slide clamp
15	P578	Click ring gray

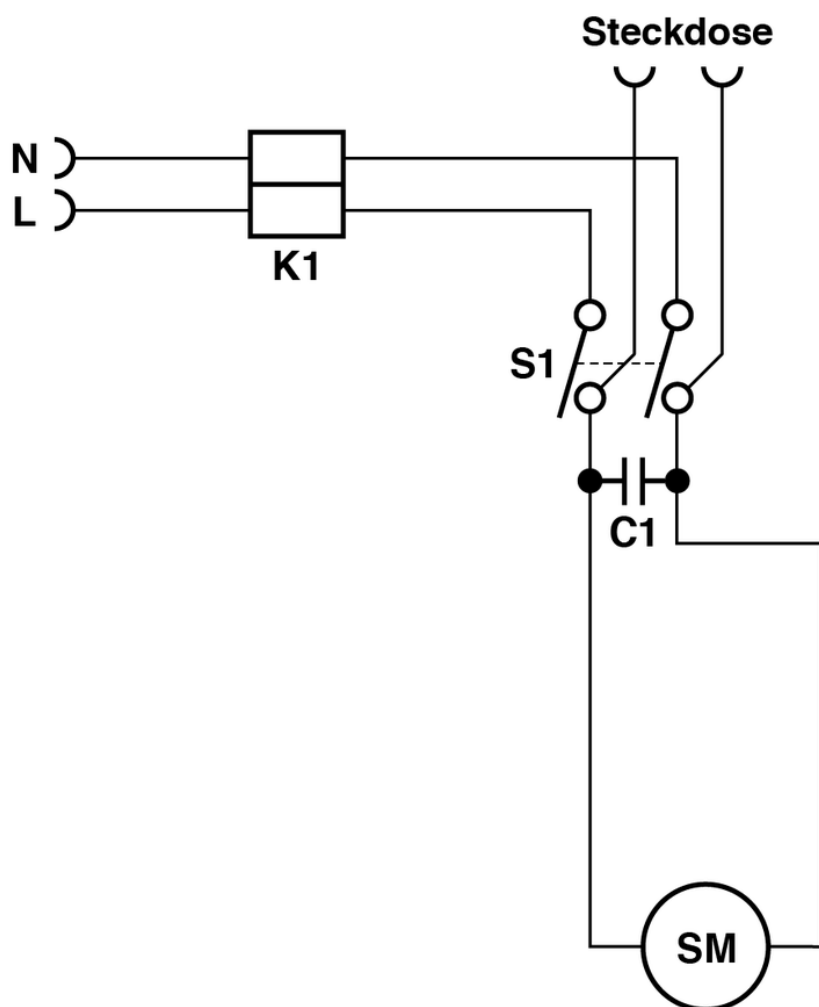
S10 plus HEPA Eco

Wiring diagram

PDF created on: 01.09.2024 15:26



S 10 plus HEPA Eco



- K1 = Reihenklemme / Serre-fil / Cable clamp
- S1 = Wippenschalter / Interrupteur / Tumbler switch
- C1 = Kondensator 0.15 uF / Condensateur 0.15 uF / Capacitor 0.15 uF
- SM = Saugmotor / Moteur d'aspiration / Vacuum motor