

# CLEANFIX S10 Plus

## Contents

PDF created on: 27.09.2024 07:16



S 10 plus

Saugset  
Tuyau d'aspiration  
Suction set  
**B 5 / ST 5**

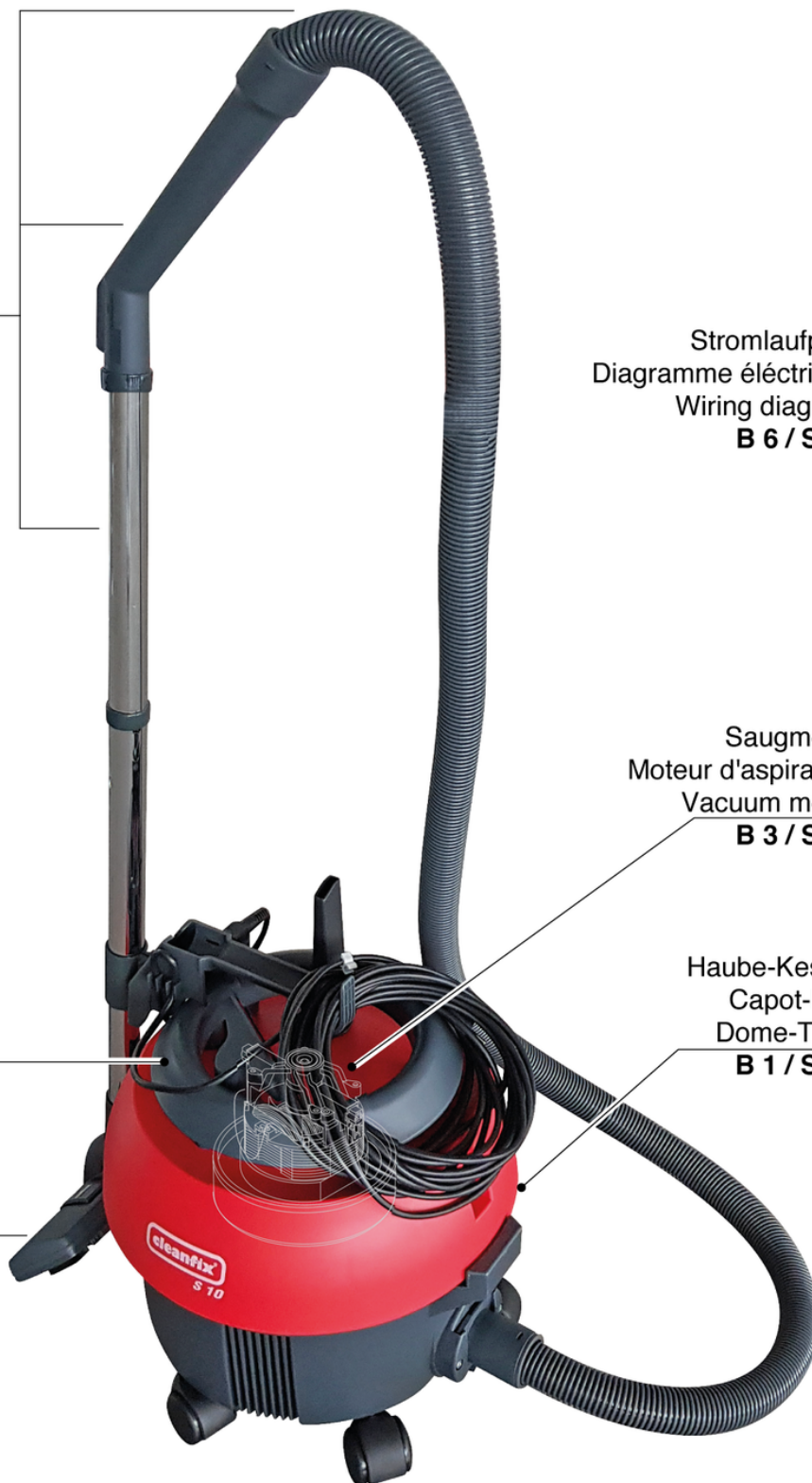
Stromlaufplan  
Diagramme électrique  
Wiring diagram  
**B 6 / ST 6**

Saugmotor  
Moteur d'aspiration  
Vacuum motor  
**B 3 / ST 3**

Haube-Kessel  
Capot-Bac  
Dome-Tank  
**B 1 / ST 1**

Haube-Kessel  
Capot-Bac  
Dome-Tank  
**B 1 / ST 1**

Saugset  
Tuyau d'aspiration  
Suction set  
**B 5 / ST 5**



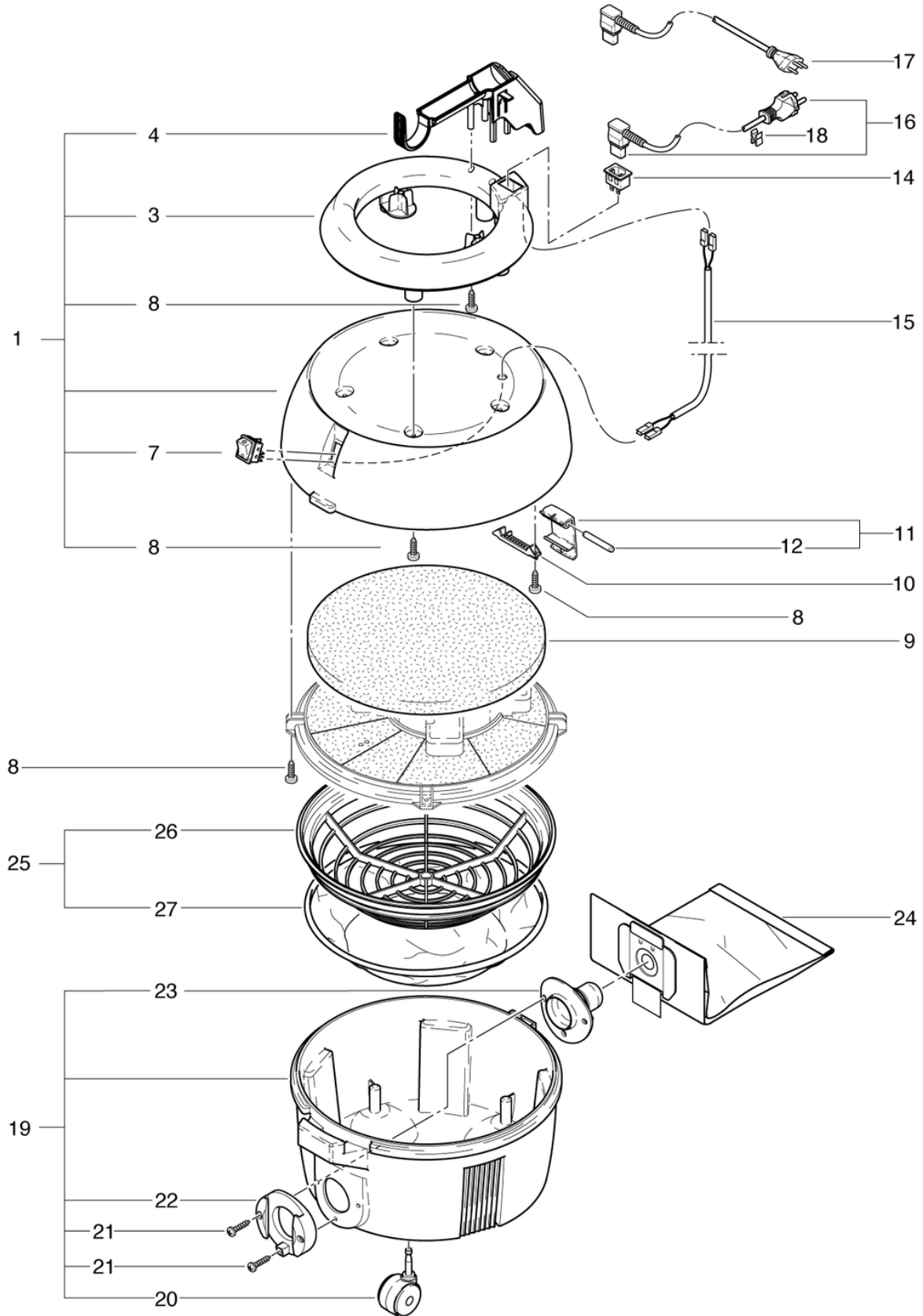
# CLEANFIX S10 Plus

## Dome-Tank

PDF created on: 27.09.2024 07:16



S 10 plus



# CLEANFIX S10 Plus

## Dome-Tank

PDF created on: 27.09.2024 07:16

Pos.	Item no.	Spare part
1	022.110S	Cover S10 Plus compl.
3	012.113	Handle anthracite gray
4	022.156	Carrying handle
7	P240F	Rocker switch LED
8	P516GB	Screw W 1451 K40 x 14
9	022.116	Noise Absorbing Sheet
10	020.114	bolt holder anthracite gray hard
11	020.116	Seal lever complete
12	022.115	Pin
14	012.161	Device plug 2P. New
15	012.152	Cable connection 0.6m, black
16	022.150	Main cable VDE 2 x 1.00mm <sup>2</sup> , 10m, black
17	022.150A	Main cable SEV 2 x 1.00mm <sup>2</sup> , 10m
18	P278	Cable - clips gray
19	012.200	Tank cpl.
20	P204F	Castor ø50mm
21	P515E	Screw WN 1452 K50 x 30
22	4012234	Anthracite gray tub connection
23	4012393	Bag Inlet
24	022.430	Paper dustbag (5 pieces)
25	022.300	Dustbag basket with filter cpl.
26	022.310A	Filter
27	022.320	Filter cloth

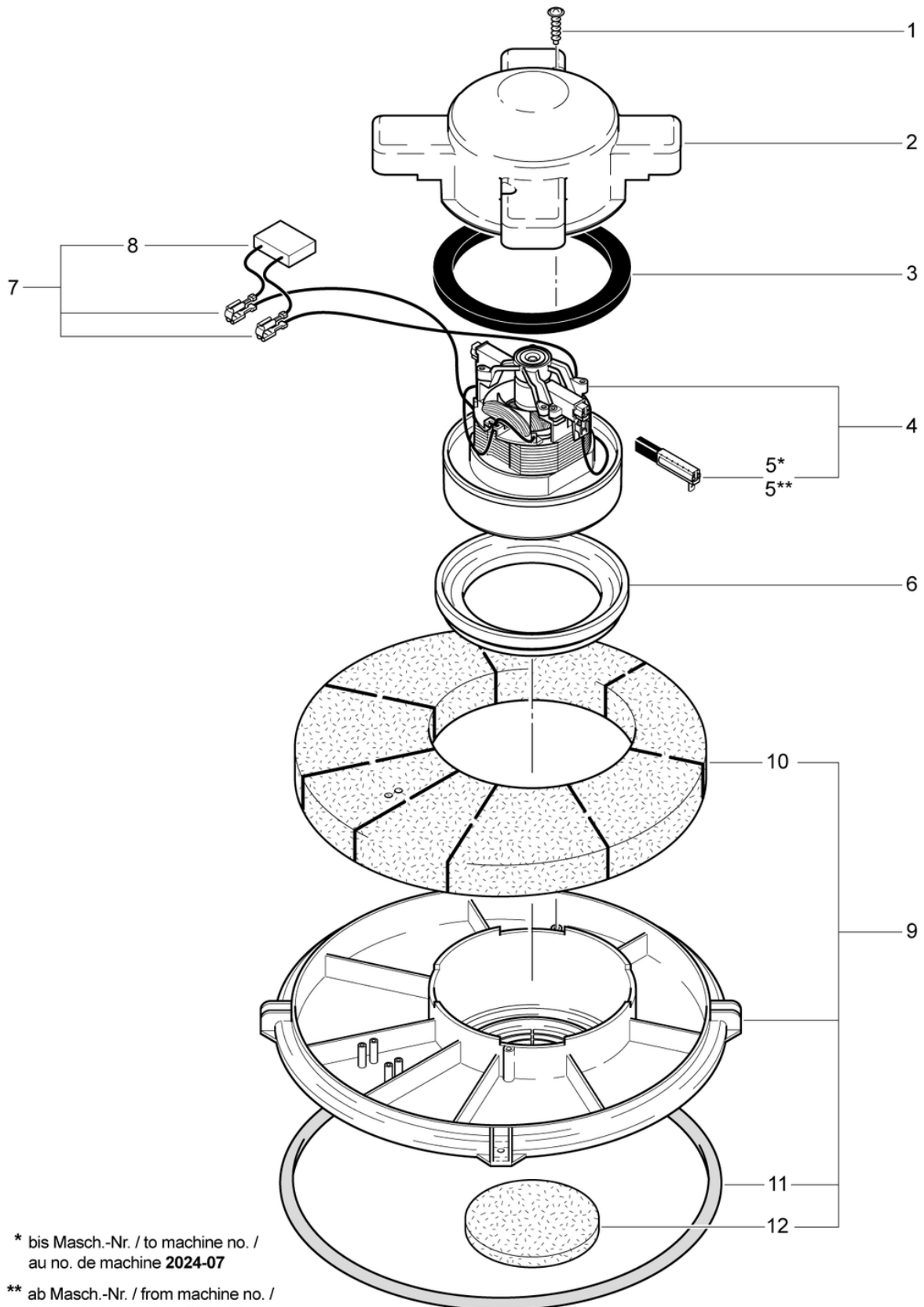
# CLEANFIX S10 Plus

## Vacuum motor

PDF created on: 27.09.2024 07:16



S 10 plus



\* bis Masch.-Nr. / to machine no. /  
au no. de machine **2024-07**

\*\* ab Masch.-Nr. / from machine no. /  
de no. de la machine **2024-08**

# CLEANFIX S10 Plus

## Vacuum motor

PDF created on: 27.09.2024 07:16

<b>Pos.</b>	<b>Item no.</b>	<b>Spare part</b>
1	P516G	Screw WN 1451 K40 x 16
2	022.132	Lower Motor Housing
3	012.133	Seal for Motor S10/12
4	P872D	Suction motor 220-240V 850W 50/60Hz
5	P872A	Carbon brushes (pair)
5	P872E	Carbon brushes for P872D (pair)
6	P971J	Turbine seal S10 / 12
7	012.143	Motor cable harness incl. cond.
8	P393E	Capacitor 0.15 uF
9	022.130	Motorplate Complete
10	022.135	Noise Absorber
11	022.136	Bucket Gasket
12	022.134	Air Filter for Motor

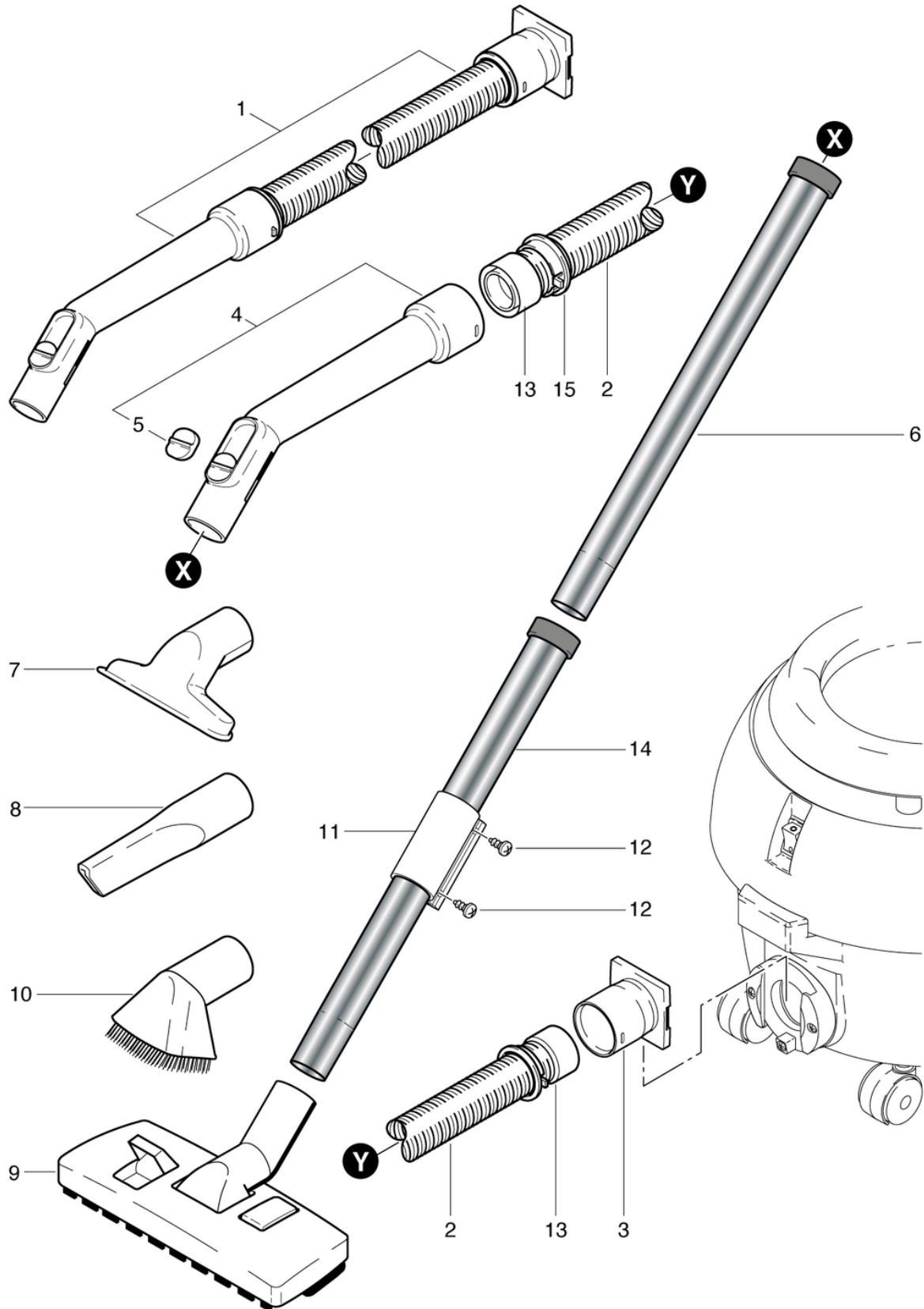
# CLEANFIX S10 Plus

## Suction set

PDF created on: 27.09.2024 07:16



S 10 plus



# CLEANFIX S10 Plus

## Suction set

PDF created on: 27.09.2024 07:16

<b>Pos.</b>	<b>Item no.</b>	<b>Spare part</b>
1	012.567	Suction hose 2.2m with hand tube and air flap
2	900.569	Suction hose NW32 x 2.2m
3	012.570	Hose End Connector
4	900.670	Hand tube with air flap slide
5	P581B	Slide
6	645.002	Metallic tube
7	645.004	Upholstery nozzle
8	645.006	Rubber crevice tool
9	645.103	Combi nozzle
10	645.005	Dropery brush
11	012.411	Sliding clamp
12	P515W	Screw WN 1451 K40 x 8
13	P583	Support ring for screw on ø32
14	012.410	Vacuum cleaner pipe chrome-plated with slide clamp
15	P578	Click ring gray

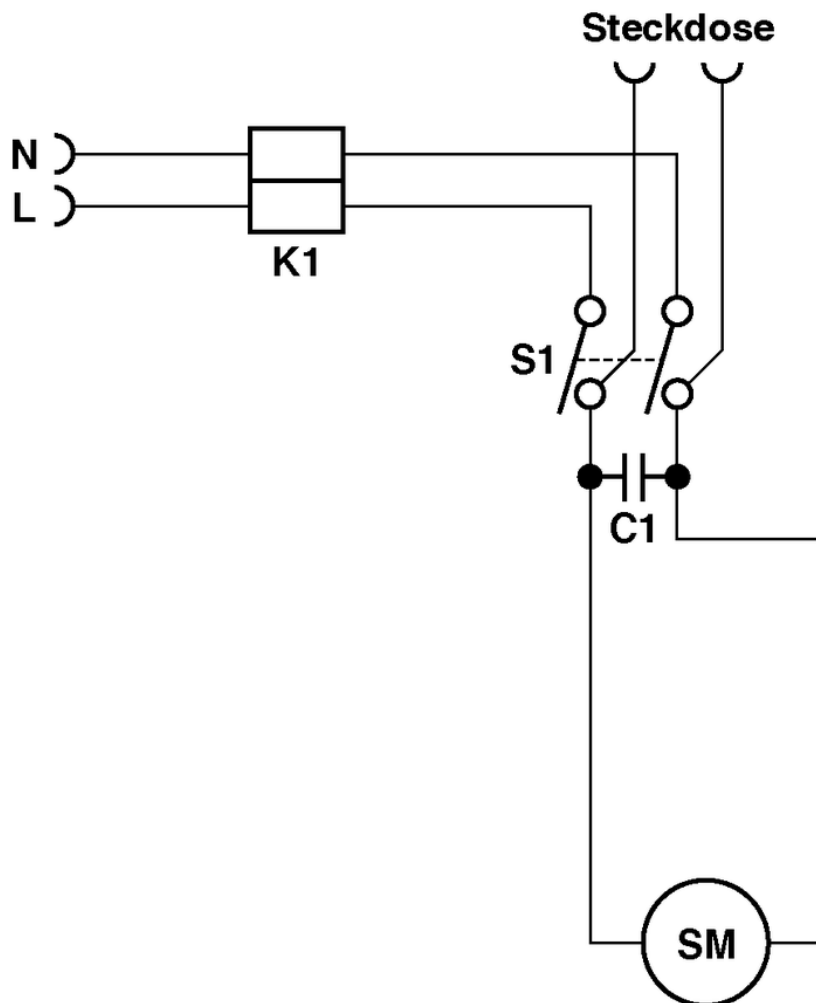
# CLEANFIX S10 Plus

## Wiring diagram

PDF created on: 27.09.2024 07:16



S 10 plus



- K1 = Reihenklemme / Serre-fil / Cable clamp
- S1 = Wippenschalter / Interrupteur / Tumbler switch
- C1 = Kondensator 0.15 uF / Condensateur 0.15 uF / Capacitor 0.15 uF
- SM = Saugmotor / Moteur d'aspiration / Vacuum motor