

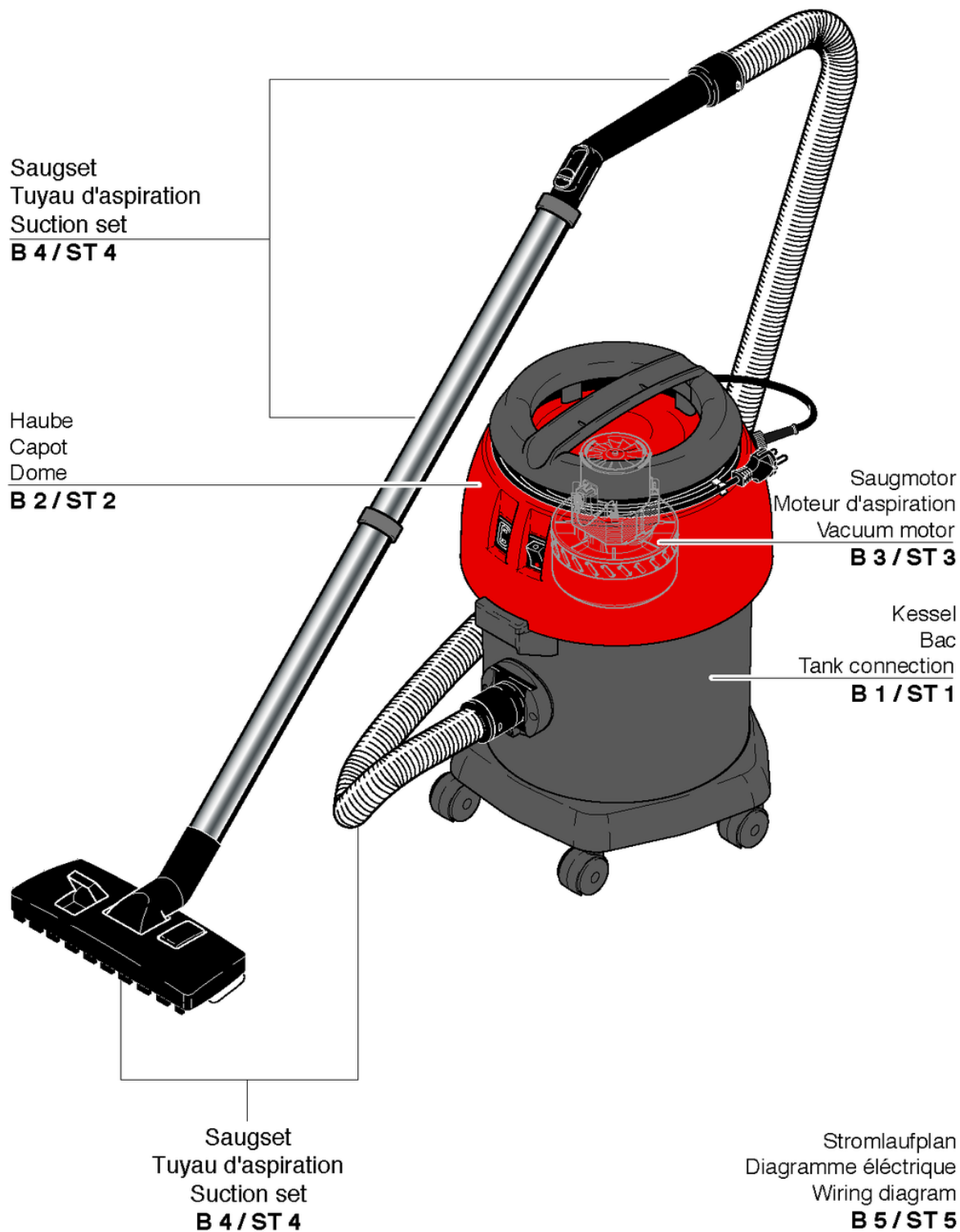
# S20

## Contents

PDF created on: 28.07.2024 00:21



S 20



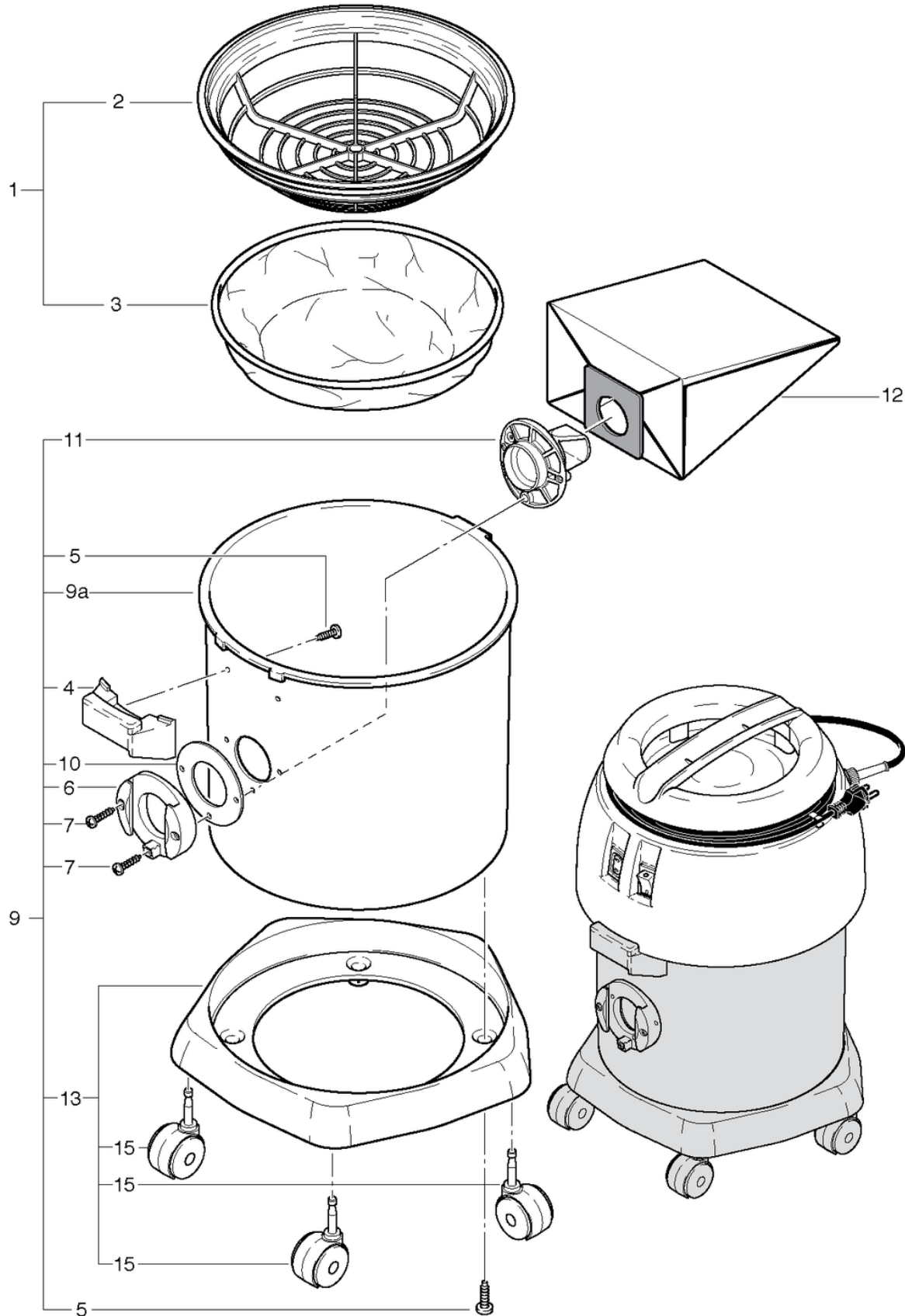
# S20

## Tank connection

PDF created on: 28.07.2024 00:21



S 20



# S20

## Tank connection

PDF created on: 28.07.2024 00:21

<b>Pos.</b>	<b>Item no.</b>	<b>Spare part</b>
1	20122519	Dustbag basket with filter cpl.
2	4012186	Filter Cartridge
3	020.320	Filter cloth
4	020.122	Hood sensor S20 anthracite gray
5	P516H	Screw WN 1451 K50 x 16
6	4012234	Anthracite gray tub connection
7	P515E	Screw WN 1452 K50 x 30
9a	020.125	SW20 Base
9	020.100	Tank SW20 anthracite gre<
10	649012512	Seal
11	014.106	Deflectors SW21 anthracite gray
12	020.430	Dustbags (10 pieces)
13	020.128	Trolley SW20 anthracite gray cpl. incl. 5 bikes
15	P204F	Castor ø50mm

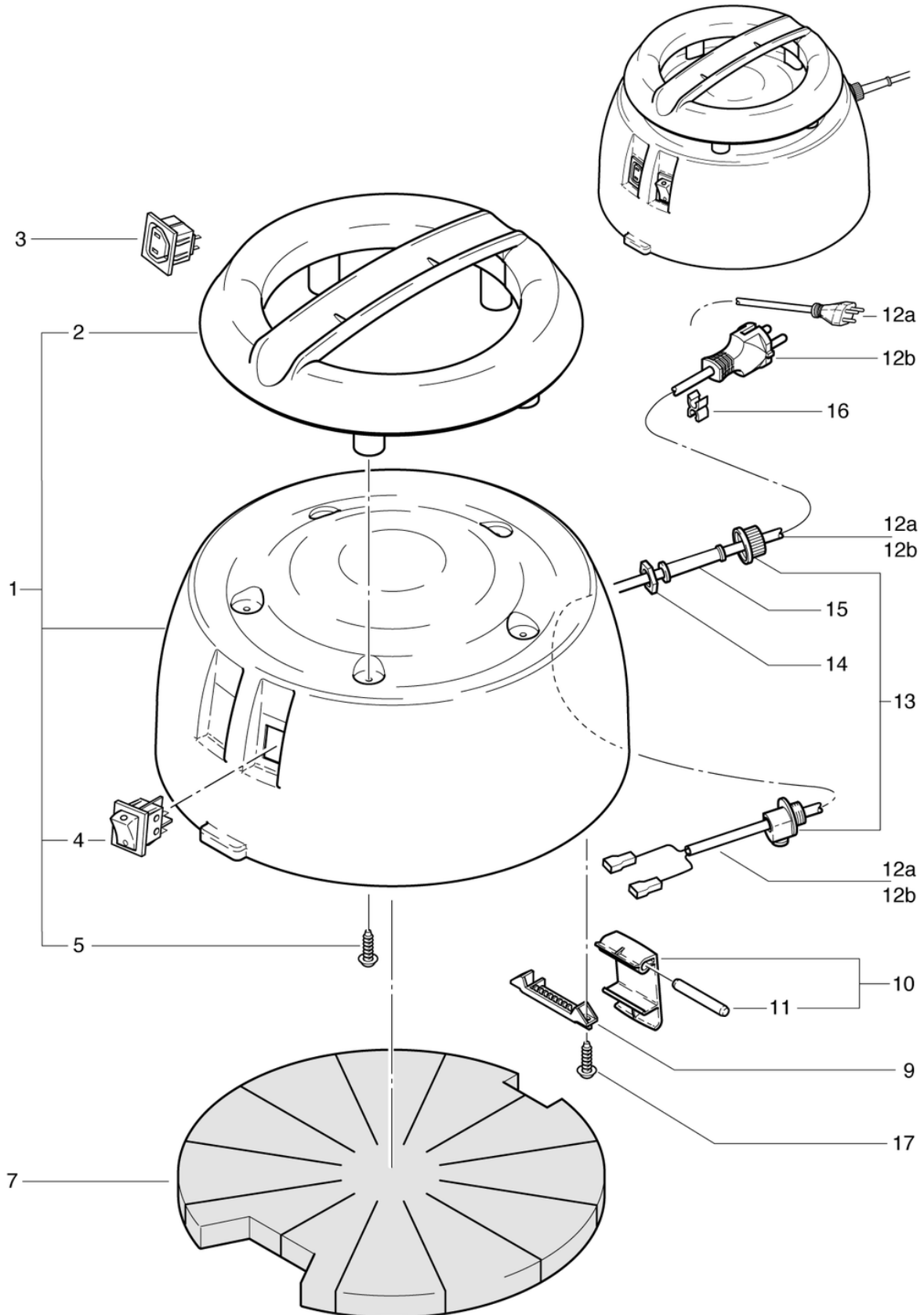
# S20

## Dome

PDF created on: 28.07.2024 00:21



S 20



# S20

## Dome

PDF created on: 28.07.2024 00:21

<b>Pos.</b>	<b>Item no.</b>	<b>Spare part</b>
1	021.203C	Dome complete, including Items 2,4,5
2	022.112	Handle
3	P380C	Device socket 2P
4	P240F	Rocker switch LED
5	P516G	Screw WN 1451 K40 x 16
7	021.206	Noise absorber
9	020.114	bolt holder anthracite gray hard
10	020.116	Seal lever complete
11	022.115	Pin
12a	P287A	Main cable SEV 2 x 1,0mm <sup>2</sup> , 10m
12b	P288A	Mains cable VDE 2 x 1.0mm <sup>2</sup> , 10m
13	P279	2-part strain relief clamp
14	P279H	Lock nut PG9 brass nickel-plated
15	P280	Cable grommet
16	P278	Cable - clips gray
17	P516C	Screw WN 1452 K40 x 16

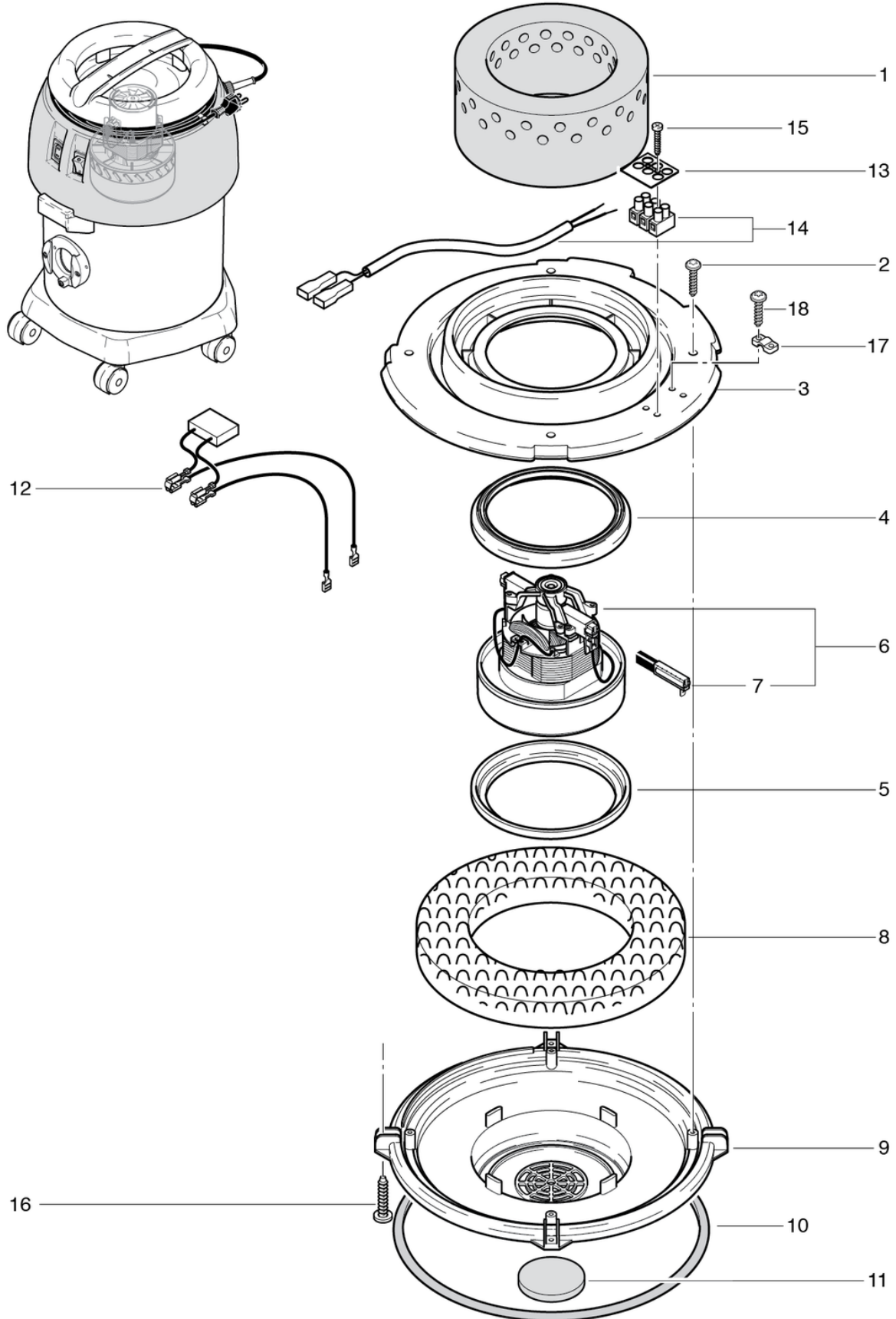
# S20

## Vacuum motor

PDF created on: 28.07.2024 00:21



S 20



# S20

## Vacuum motor

PDF created on: 28.07.2024 00:21

<b>Pos.</b>	<b>Item no.</b>	<b>Spare part</b>
1	020.208	Motor sound insulation
2	P515X	Screw WN 1452 K40 x 20
3	020.303	Holding plate
4	012.133	Seal for Motor S10/12
5	P971H	Turbine sealing
6	P8700	Suction motor 230V/50Hz, 1000W
7	P870KB	Carbon brushes (pair) OEP
8	020.309	Isolation Ring
9	020.308	Reinforcement Piece
10	020.304	Boiler seal
11	022.134	Air Filter for Motor
12	022.143	Cable harness suction engine incl. interference suppression capacitor
13	P390	Marking plate
14	020.307	Cable harness with clamp
15	P516E	Screw WN 1451 K30 x 20
16	P517A	Screw WN 1452 K40 x 35
17	4611085	Cable Clamp
18	P515Z	Screw WN 1452 K50 x 16

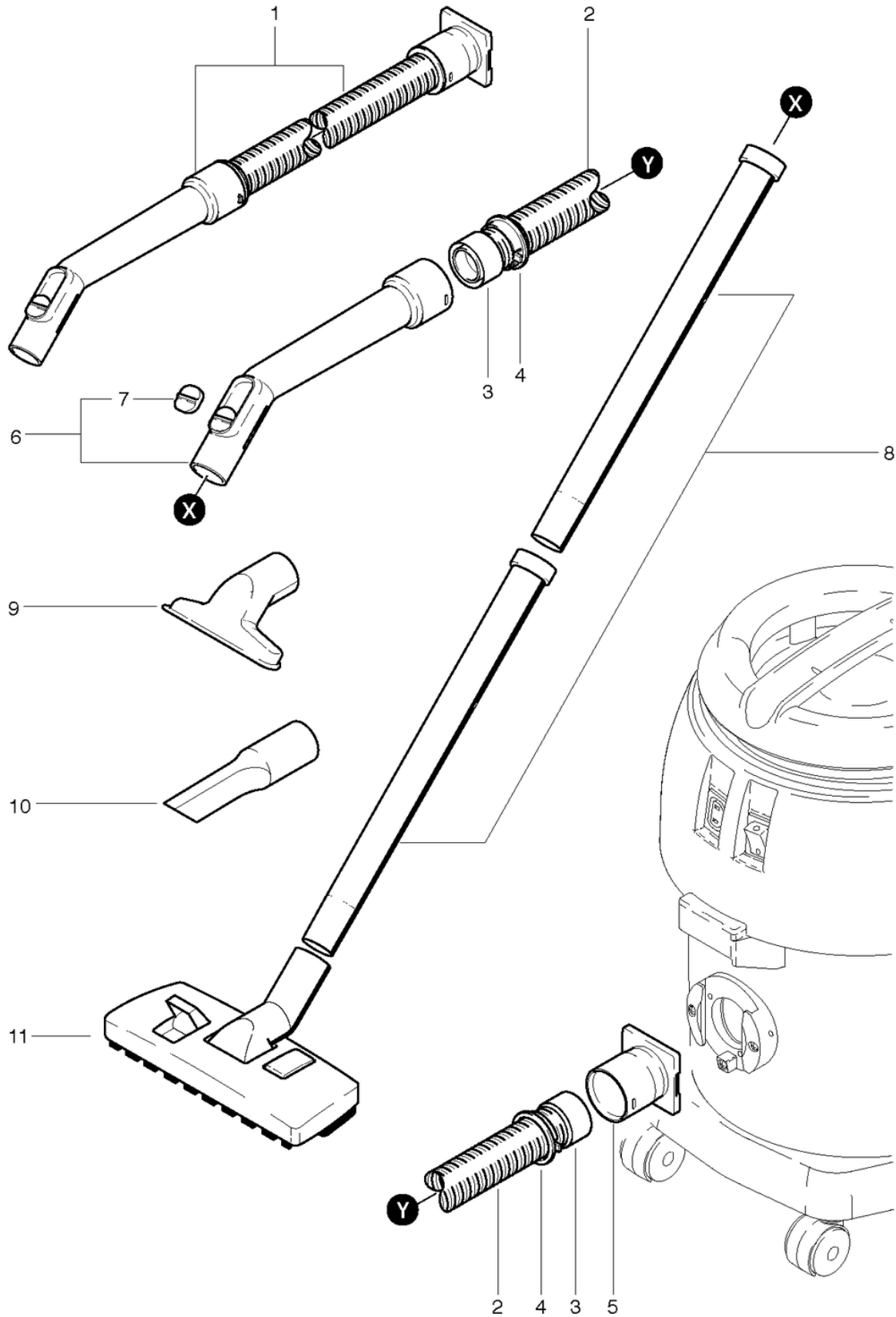
# S20

## Suction set

PDF created on: 28.07.2024 00:21



S 20





# S20

## Suction set

PDF created on: 28.07.2024 00:21

<b>Pos.</b>	<b>Item no.</b>	<b>Spare part</b>
1	020.567	Suction hose 3m, with hand tube
2	P562A	Suction hose, NW32 x 3m
3	P583	Support ring for screw on $\varnothing$ 32
4	P578	Click ring gray
5	012.570	Hose End Connector
6	900.670	Hand tube with air flap slide
7	P581B	Slide
8	645.002	Metallic tube
9	645.004	Upholstery nozzle
10	645.006	Rubber crevice tool
11	645.103	Combi nozzle

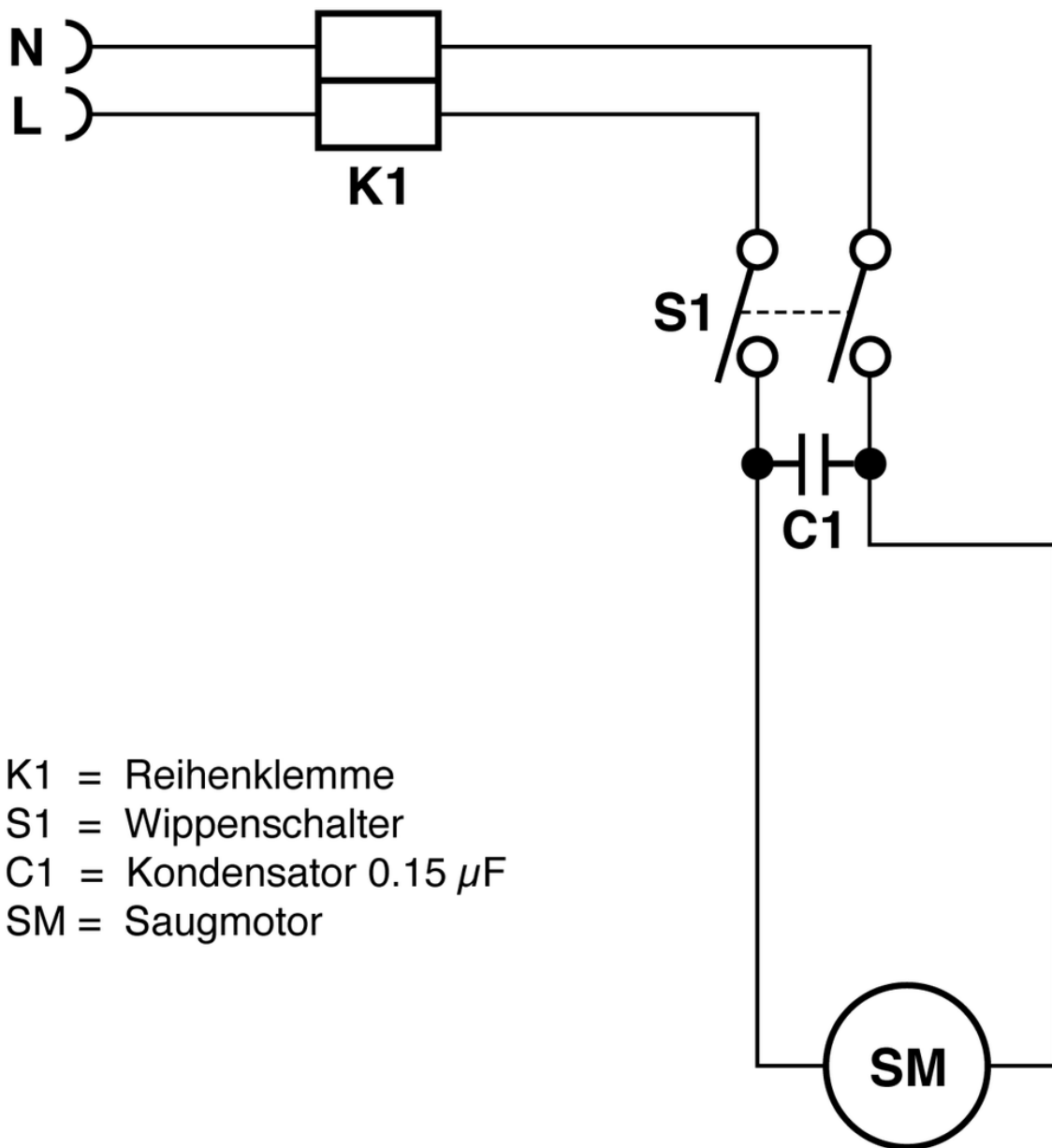
# S20

## Wiring diagram

PDF created on: 28.07.2024 00:21



S 20



- K1 = Reihenklemme
- S1 = Wippenschalter
- C1 = Kondensator 0.15  $\mu$ F
- SM = Saugmotor