

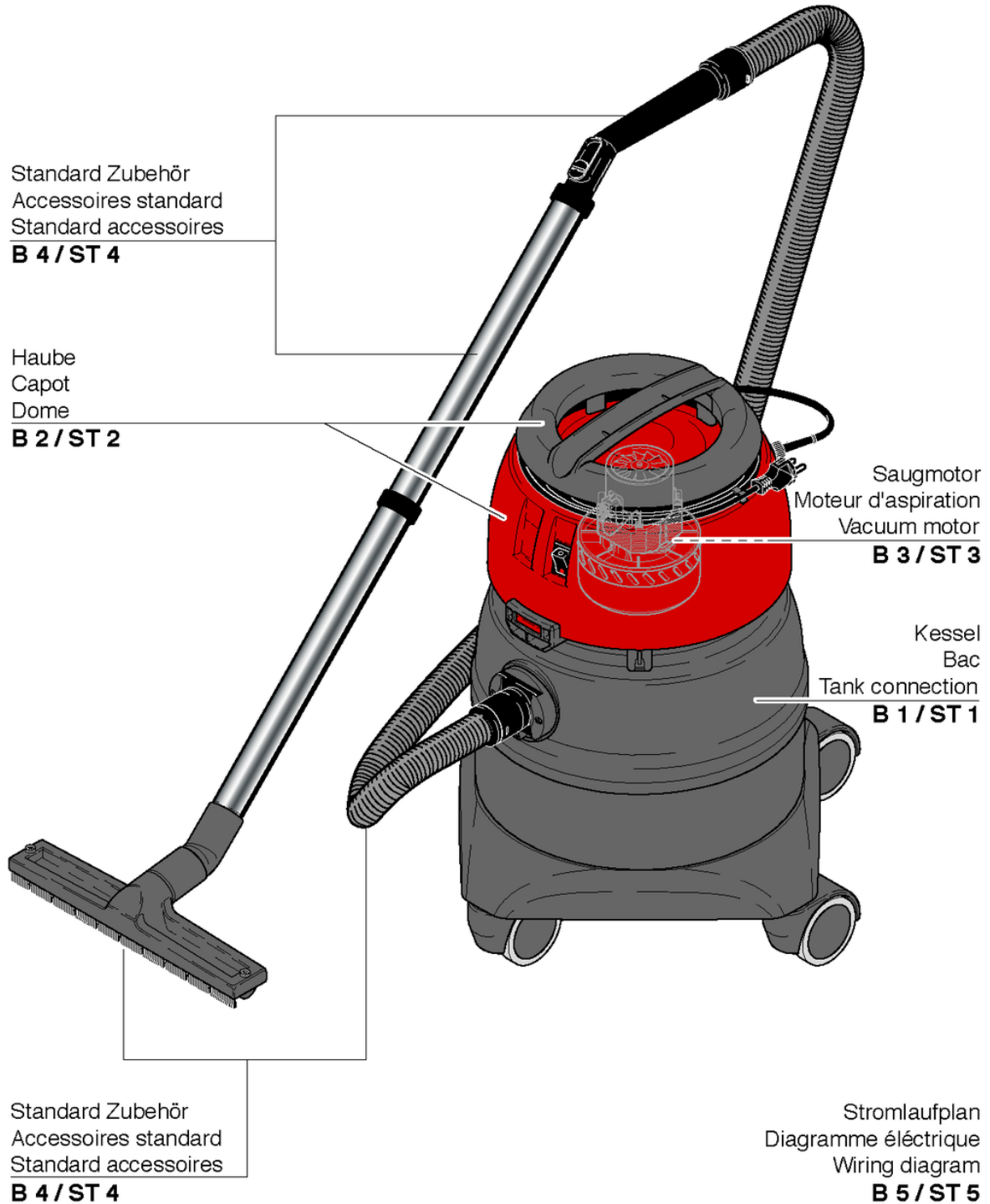
S21

Table of Contents

PDF created on: 28.07.2024 00:36



S 21



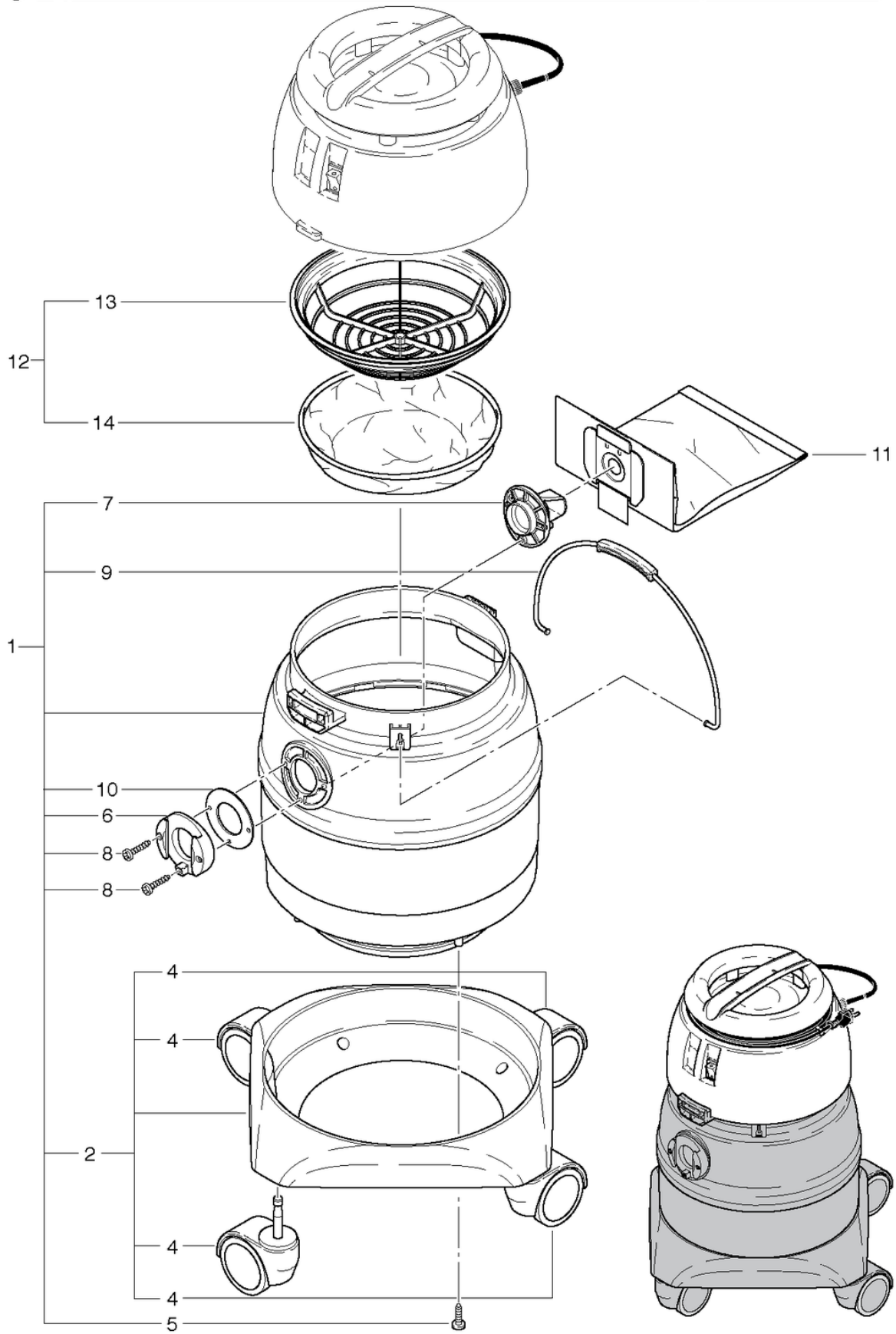
S21

Tank connection

PDF created on: 28.07.2024 00:36



S 21



S21

Tank connection

PDF created on: 28.07.2024 00:36

Pos.	Item no.	Spare part
1	014.100	SW21 tank complete
2	014.128	Anthracite gray trolley cpl. with 4 wheels
4	P204G	Caster ø80mm
5	P516Q	Screw WN 1452 K50 x 18
6	4012234	Anthracite gray tub connection
7	014.105	Deflectors SW21 anthracite gray
8	P515N	Screw WN 1452 K50 x 35
9	P009	Handle
10	649012512	Seal
11	020.430	Dustbags (10 pieces)
12	20122519	Dustbag basket with filter cpl.
13	4012186	Filter Cartridge
14	020.320	Filter cloth

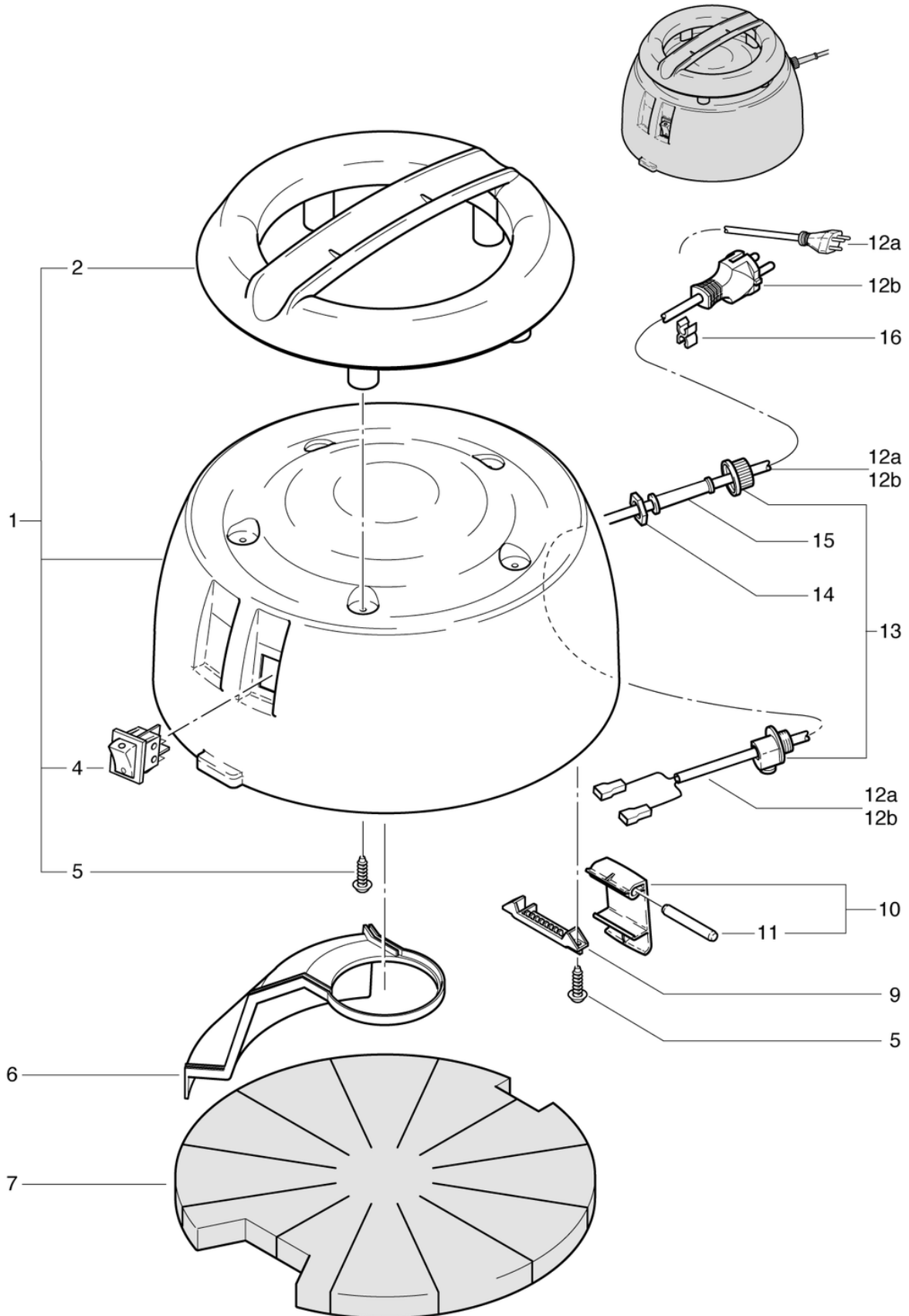
S21

Dome

PDF created on: 28.07.2024 00:36



S 21



S21

Dome

PDF created on: 28.07.2024 00:36

Pos.	Item no.	Spare part
1	021.203	Cover compl. red printed
2	022.112	Handle
4	P240	Rocker switch orange 230V
5	P516C	Screw WN 1452 K40 x 16
6	020.213	Air canal
7	021.206	Noise absorber
9	020.114	bolt holder anthracite gray hard
10	020.116	Seal lever complete
11	022.115	Pin
12a	P287A	Main cable SEV 2 x 1,0mm ² , 10m
12b	P288A	Mains cable VDE 2 x 1.0mm ² , 10m
13	P279	2-part strain relief clamp
14	P279H	Lock nut PG9 brass nickel-plated
15	P280	Cable grommet
16	P278	Cable - clips gray

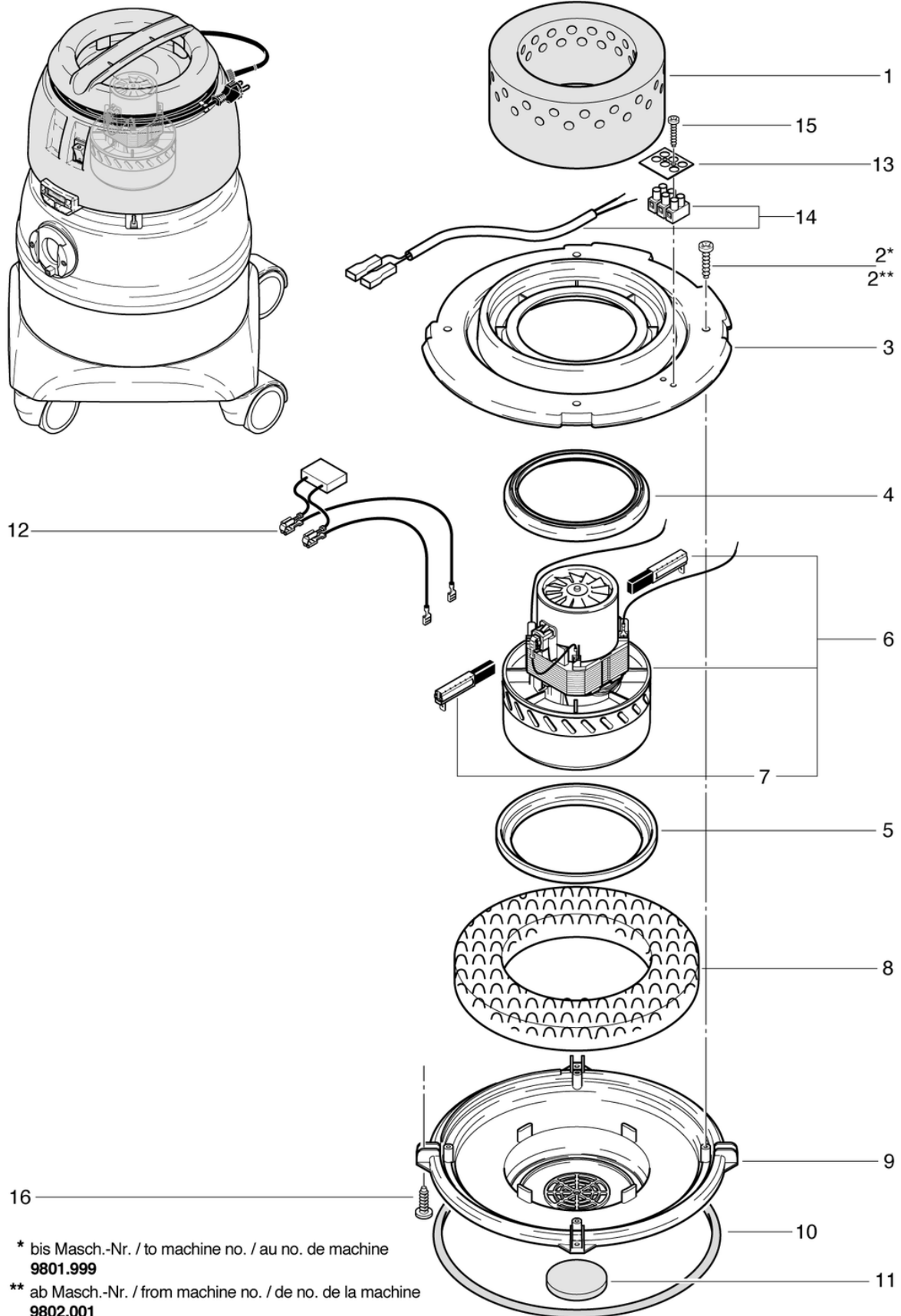
S21

Vacuum motor

PDF created on: 28.07.2024 00:36



S 21



* bis Masch.-Nr. / to machine no. / au no. de machine
9801.999

** ab Masch.-Nr. / from machine no. / de no. de la machine
9802.001

S21

Vacuum motor

PDF created on: 28.07.2024 00:36

Pos.	Item no.	Spare part
1	020.211	Motor sound insulation
2	P515X	Screw WN 1452 K40 x 20
2	P516C	Screw WN 1452 K40 x 16
3	020.303	Holding plate
4	012.133	Seal for Motor S10/12
5	P971H	Turbine sealing
6	P870E	Suction motor 230V/50Hz 1000 W bp
7	P870KB	Carbon brushes (pair) OEP
8	020.309	Isolation Ring
9	020.308	Reinforcement Piece
10	020.304	Boiler seal
11	022.134	Air Filter for Motor
12	022.143	Cable harness suction engine incl. interference suppression capacitor
13	P390	Marking plate
14	020.307	Cable harness with clamp
15	P516E	Screw WN 1451 K30 x 20

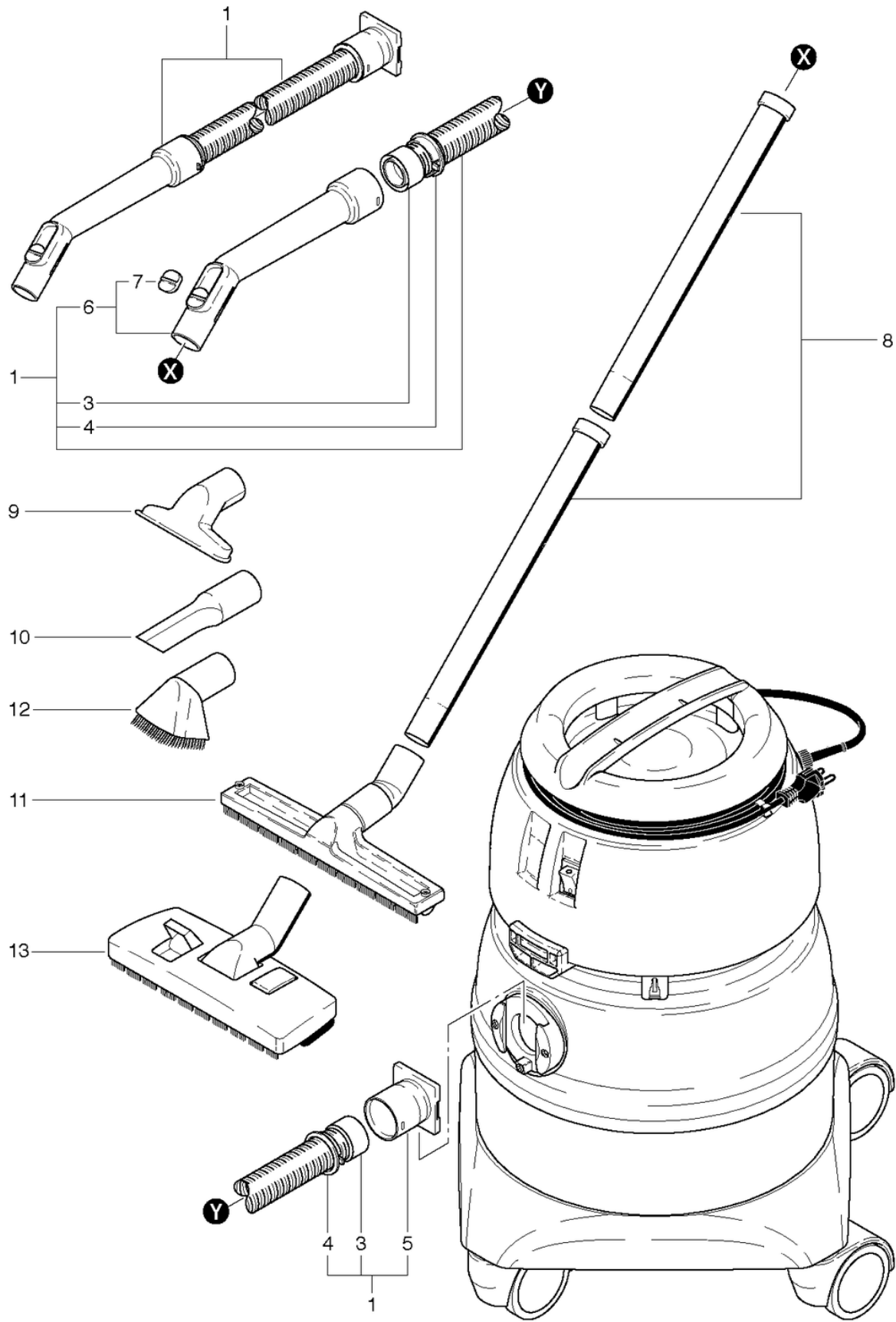
S21

Standard accessoires

PDF created on: 28.07.2024 00:36



S 21



S21

Standard accessoires

PDF created on: 28.07.2024 00:36

Pos.	Item no.	Spare part
1	020.567	Suction hose 3m, with hand tube
3	P583	Support ring for screw on ø32
4	P578	Click ring gray
5	012.570	Hose End Connector
6	900.670	Hand tube with air flap slide
7	P581B	Slide
8	645.002	Metallic tube
9	645.004	Upholstery nozzle
10	645.006	Rubber crevice tool
11	646.200	Hard floor nozzle with brush strip, 30cm
12	645.005	Dropery brush
13	645.103	Combi nozzle

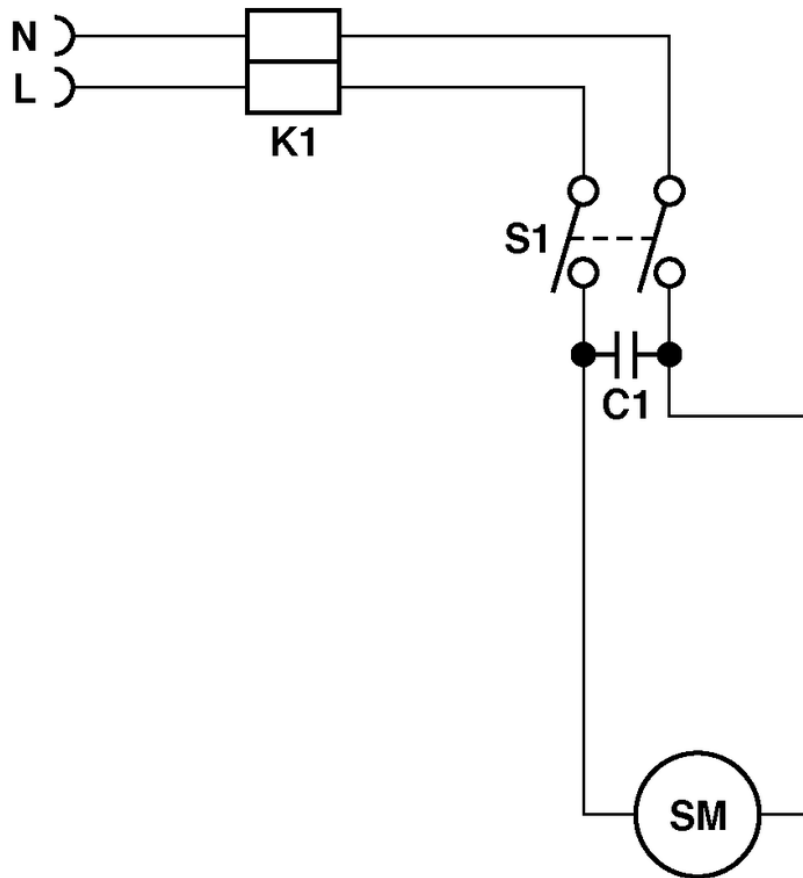
S21

Wiring diagram

PDF created on: 28.07.2024 00:36



S 21



- K1 = Reihenklemme / Serre-fil / Cable clamp
- S1 = Wippenschalter / Interrupteur / Tumbler switch
- C1 = Kondensator / Condensateur / Capacitor 0.15 F
- SM = Saugmotor / Moteur d'aspiration / Vacuum motor