

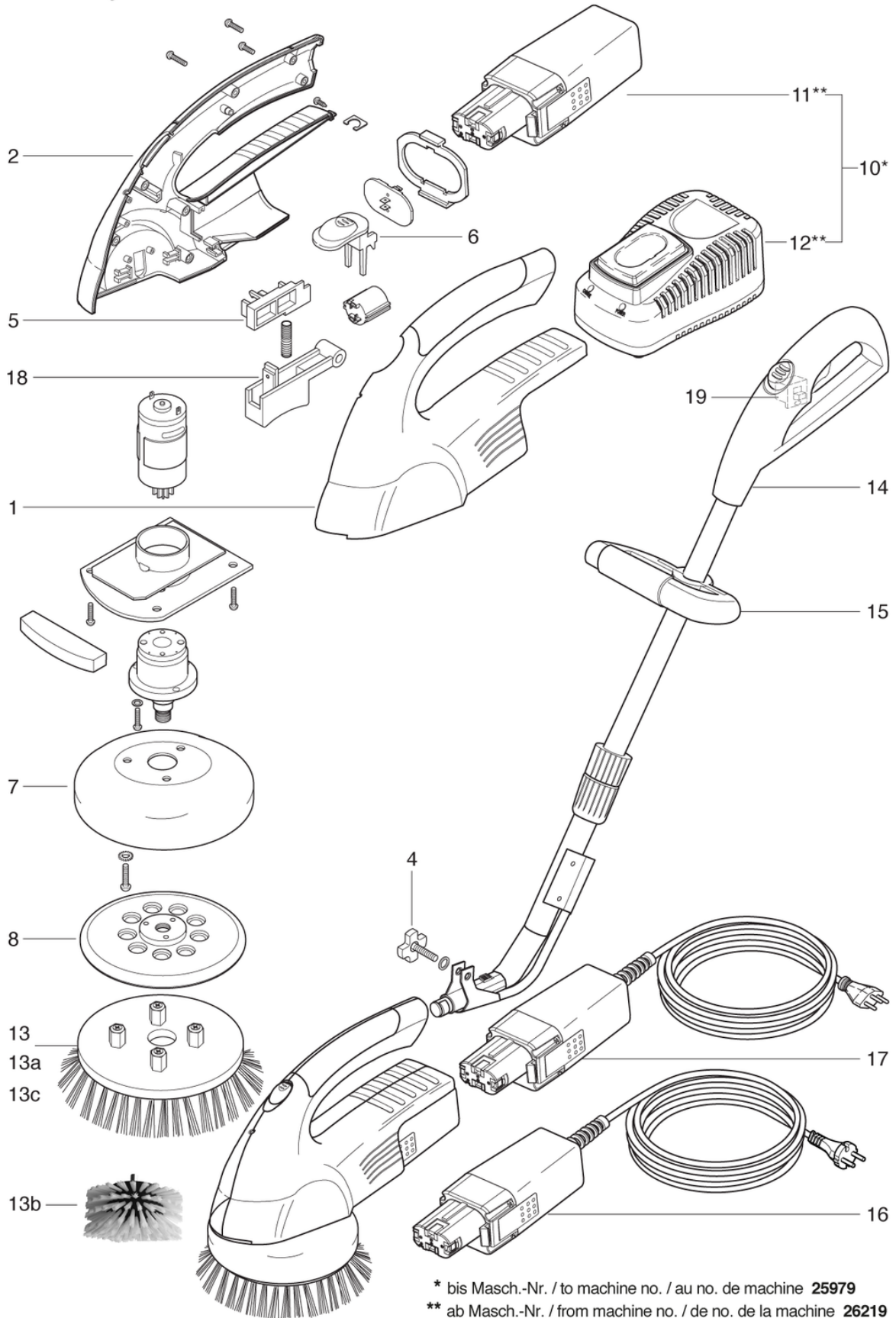
CLEANFIX Scrubby

Scrubby

PDF created on: 16.07.2024 10:53



Scrubby



* bis Masch.-Nr. / to machine no. / au no. de machine **25979**

** ab Masch.-Nr. / from machine no. / de no. de la machine **26219**

CLEANFIX Scrubby

Scrubby

PDF created on: 16.07.2024 10:53

Pos.	Item no.	Spare part
1	715.050	Motor housing right scrubby
2	715.051	Scrubby housing left
4	715.054	Star knob
5	715.055	On/Off Switch
6	715.056	On/Off Switch
7	715.062	splash protection
8	715.057	Pad holder fix, Ø 14,5cm
10	715.114	Battery and Charger Scrubby
11	715.110	Akku Met Hybrid 9.0 V grey
12	715.112	Quick charger for 9V battery 3.0Ah
13a	715.031	Silicon carbide brush, Ø18cm
13b	715.032	Cylindrical brush 15cm
13c	715.033	Shampoo brush 18cm NY 0.50
13	715.030	Scrubbing brush, Ø 18cm
14	715.063	Handle Assy
15	715.045	Scrubby Handle
16	715.015	Accu-Transformer with cable, 230V VDE
17	715.016	Accu-Transformer with cable, 230V SEV
18	715.058	Switch housing
19	715.064	ON/OFF switch stem