

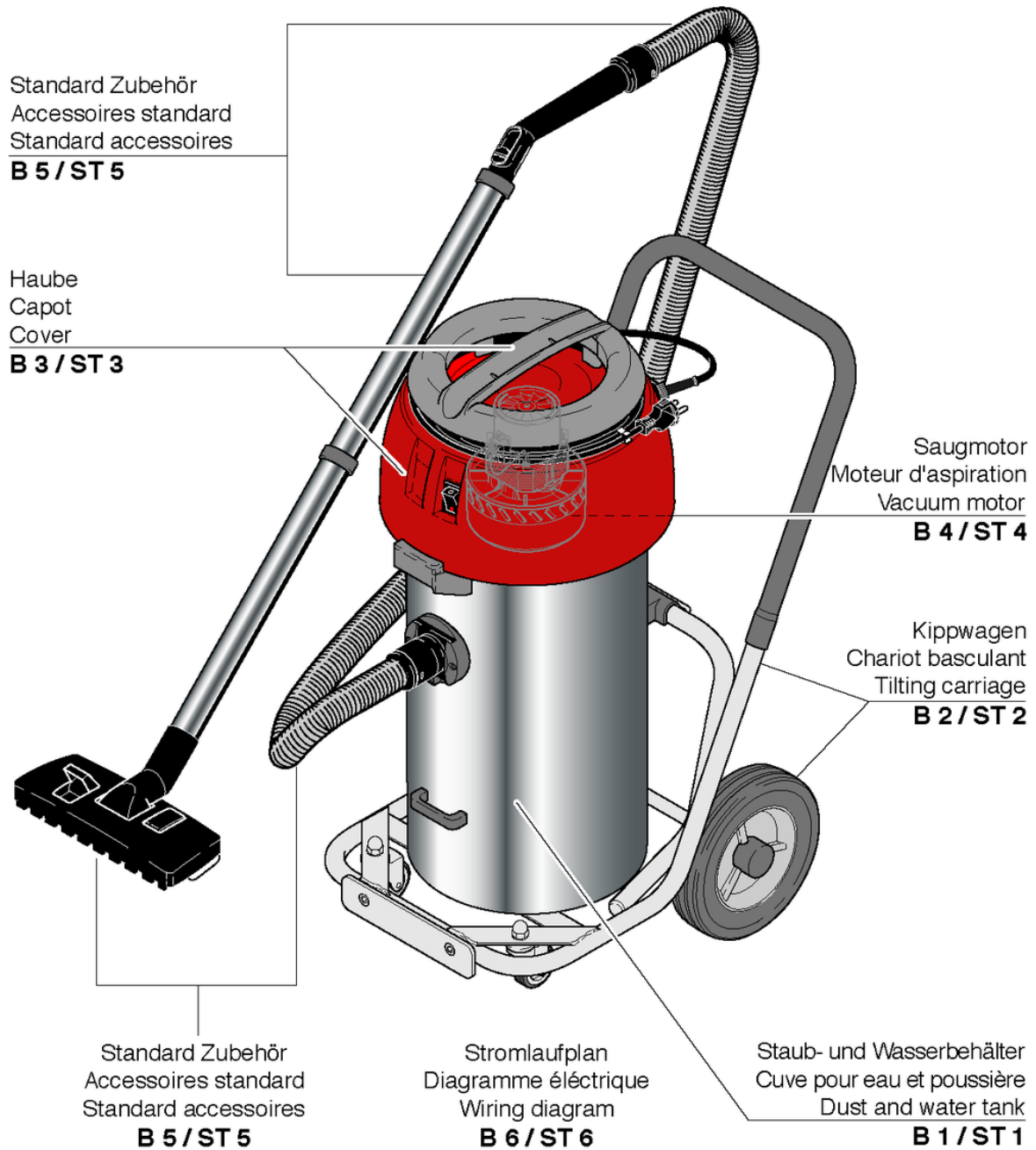
# SW25 K

## Contents

PDF created on: 16.07.2024 12:42



SW 25 KW



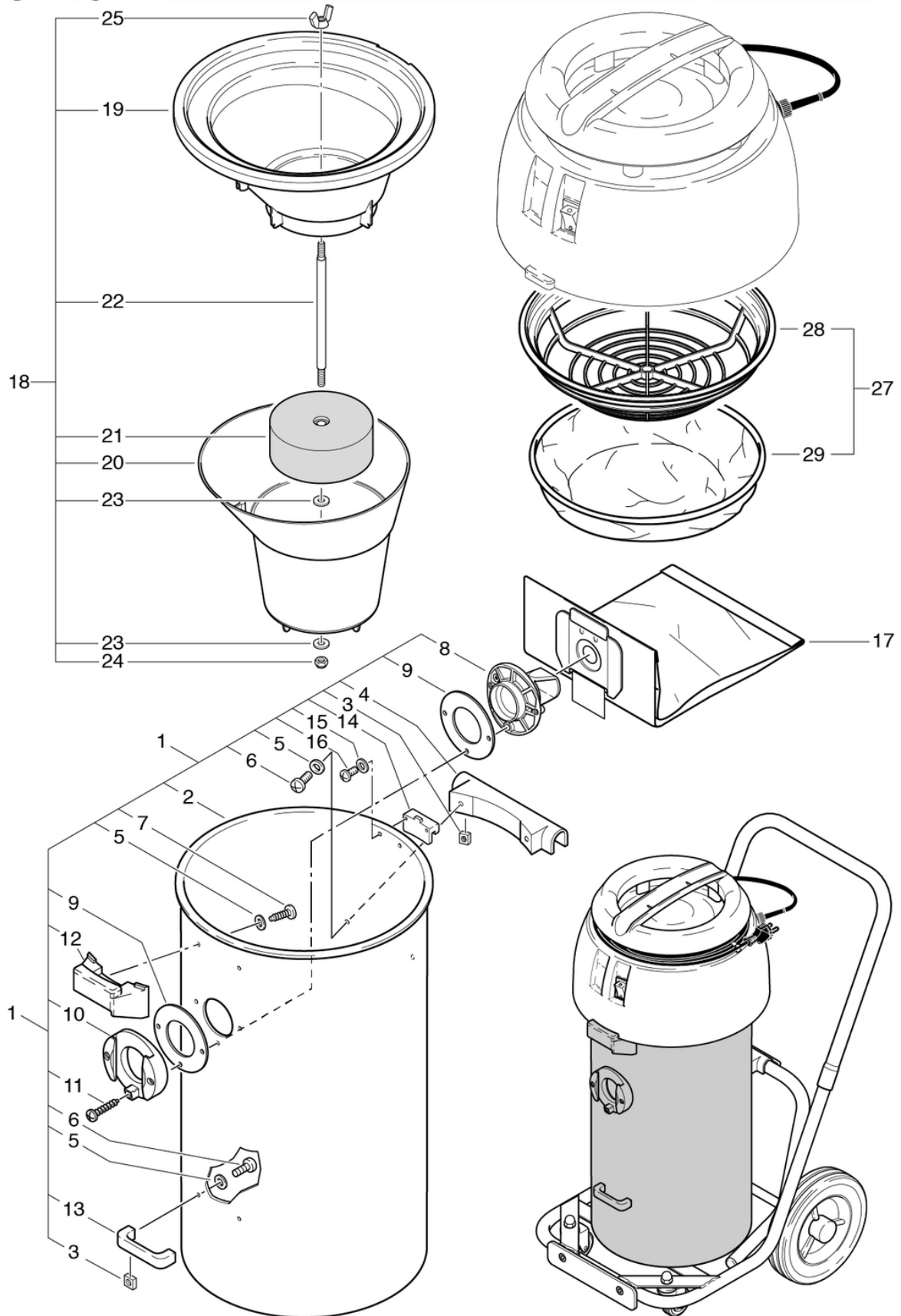
# SW25 K

## Dust and water tank

PDF created on: 16.07.2024 12:42



SW 25 KW



# SW25 K

## Dust and water tank

PDF created on: 16.07.2024 12:42

Pos.	Item no.	Spare part
1	023.050	Dust and water tank, compl.
2	023.051	Dust and water tank
3	P491T	Nut DIN 557 M5 St galvanized
4	4011274	Mounting device
5	6230217	Shim 5 x 12 x 1 copper
6	P481L	Panhead screw ISO 7380-2 M5 x 10 A2
7	P516H	Screw WN 1451 K50 x 16
8	014.106	Deflectors SW21 anthracite gray
9	649012512	Seal
10	4012234	Anthracite gray tub connection
11	P515E	Screw WN 1452 K50 x 30
12	020.122	Hood sensor S20 anthracite gray
13	4011555	Carrying handle
14	023.110	Holder processed
15	P497AA	Shim DIN 125-A M4 4,3/9/0,8 Cu
16	P481M	Screw DIN 7985 M4 x 10 A2
17	020.430	Dustbags (10 pieces)
17	020.430K	Box with 12 packets of 10
18	021.601	Float insert cpl.
19	014.622A	Carrier wet suction
20	014.623	Float cover
21	014.620	Float Assembly
22	014.624	Float rod
23	P497K	Washer DIN 125 A M6 6,4/12/1,6 A2
24	P492K	Nut DIN 985 M6 A2
25	P253L	Wing nut Ø34 M6 through thread
27	20122519	Dustbag basket with filter cpl.
28	4012186	Filter Cartridge
29	022.320	Filter cloth

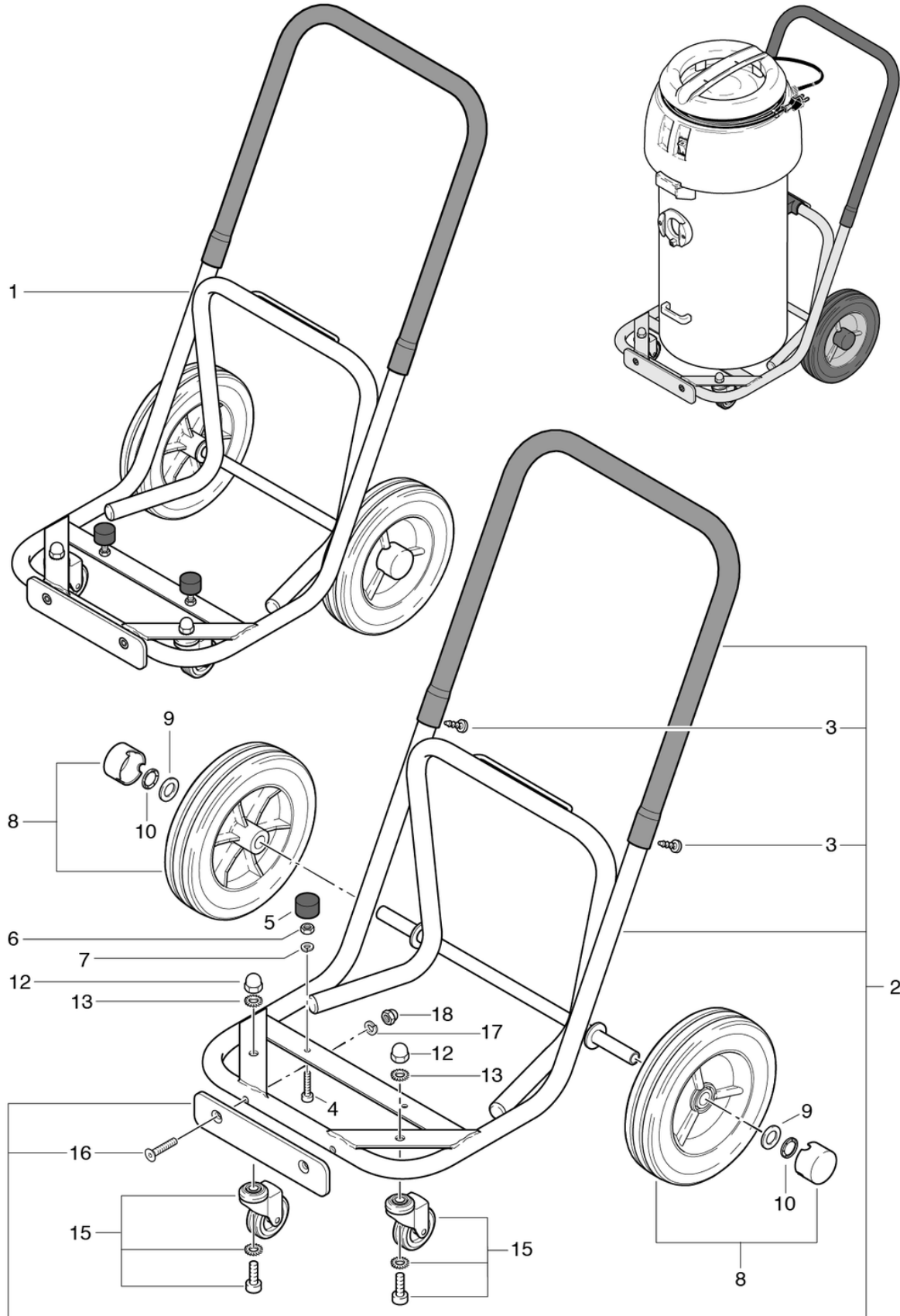
# SW25 K

## Tilting carriage

PDF created on: 16.07.2024 12:42



SW 25 KW



# SW25 K

## Tilting carriage

PDF created on: 16.07.2024 12:42

Pos.	Item no.	Spare part
1	2012428	Dustbag basket cpl.
2	675012448	Tilting carriage
3	P483X	Screw DIN 7981 C 4,8 x 13
4	P488S	Screw DIN 912 M6 x 30 A2
5	6475154	Seat buffer
6	P490D	Nut DIN 934 M6
7	P498U	Ring DIN 127 B M6 6,1/11,8/1,6 A2
8	6415378	Wheel compl.
9	P496Y	Shim DIN 125 M14 15/28/2,5
10	6295182	Starlock
12	P495P	Nut DIN 1587 M10 brass
13	P498O	Shim DIN 6798 A M10 10,5/18/0,9
15	P204I	Caster cpl.
16	P487R	Screw DIN 7991 M8 x 35
17	P498N	Ring DIN 127 B M8 8,1/14,8/2
18	P495O	Nut DIN 1587 M8 St galvanized

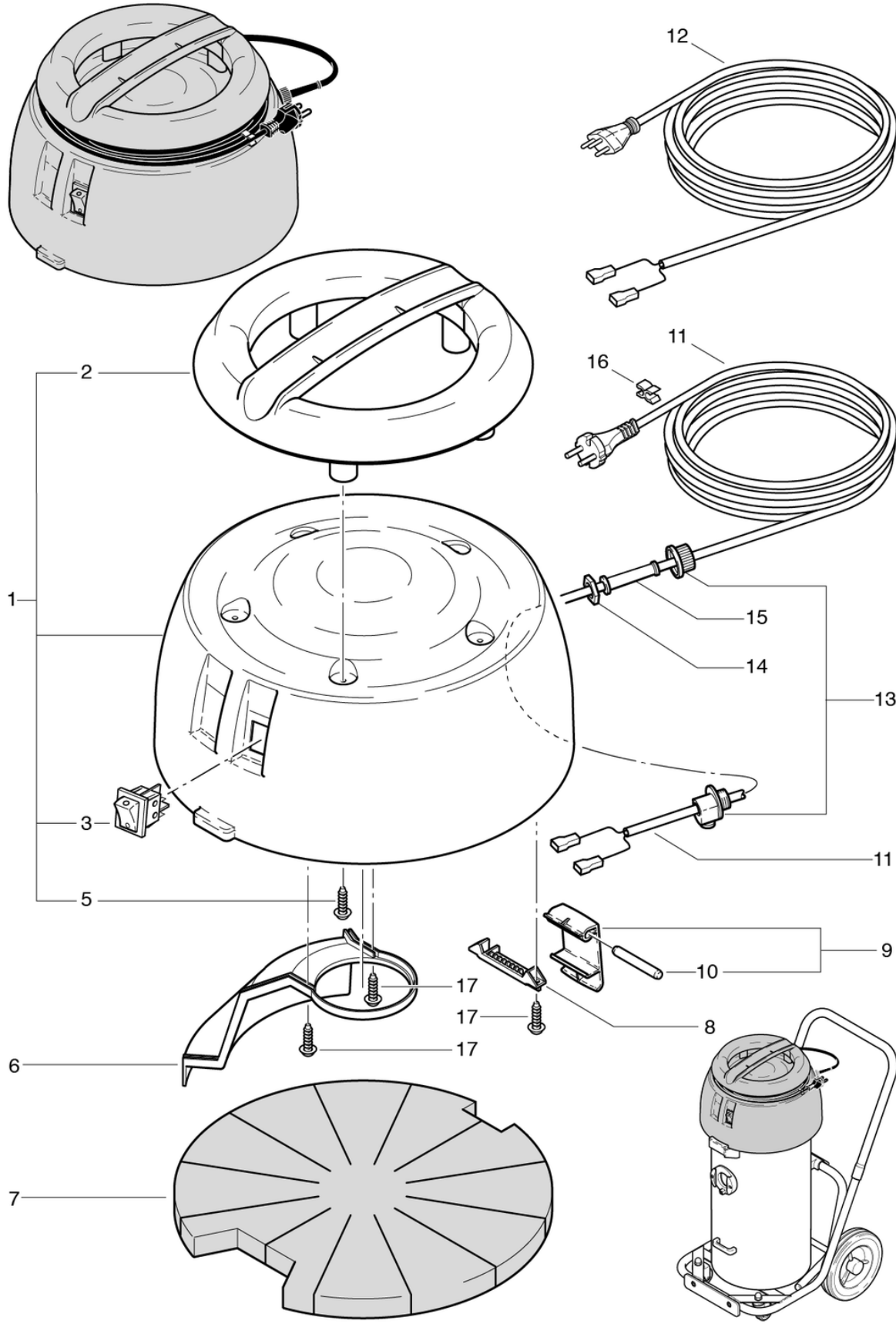
# SW25 K

## Cover

PDF created on: 16.07.2024 12:42



SW 25 KW



# SW25 K

## Cover

PDF created on: 16.07.2024 12:42

<b>Pos.</b>	<b>Item no.</b>	<b>Spare part</b>
1	021.203	Cover compl. red printed
2	022.112	Handle
3	P240	Rocker switch orange 230V
5	P516G	Screw WN 1451 K40 x 16
6	020.213	Air canal
7	021.206	Noise absorber
8	020.114	bolt holder anthracite gray hard
9	020.116	Seal lever complete
10	022.115	Pin
11	P288A	Mains cable VDE 2 x 1.0mm <sup>2</sup> , 10m
12	P287A	Main cable SEV 2 x 1,0mm <sup>2</sup> , 10m
13	P279	2-part strain relief clamp
14	P279H	Lock nut PG9 brass nickel-plated
15	P280	Cable grommet
16	P278	Cable - clips gray
17	P516C	Screw WN 1452 K40 x 16

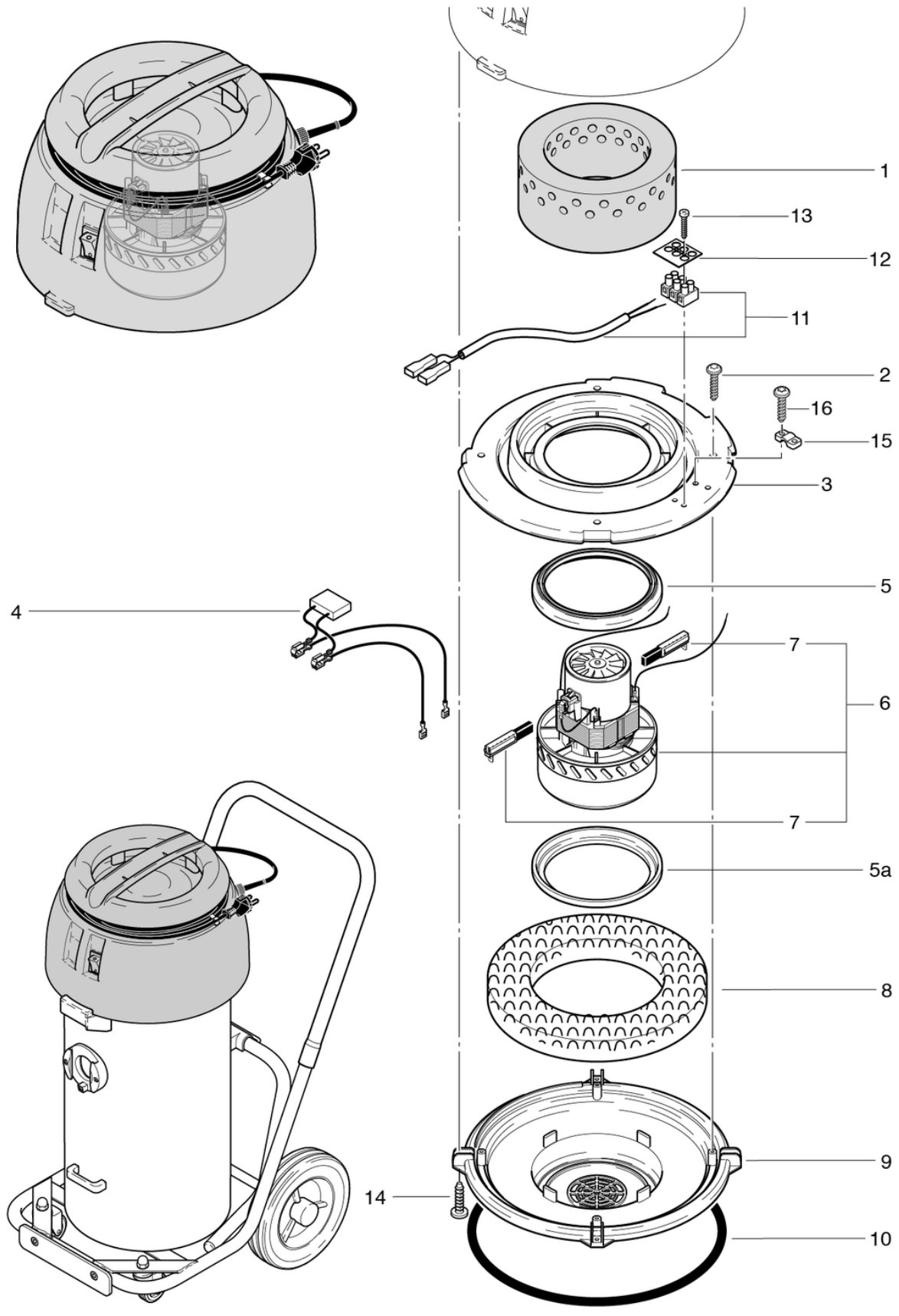
# SW25 K

## Vacuum motor

PDF created on: 16.07.2024 12:42



SW 25 KW





# SW25 K

## Vacuum motor

PDF created on: 16.07.2024 12:42

<b>Pos.</b>	<b>Item no.</b>	<b>Spare part</b>
1	020.211	Motor sound insulation
2	P515X	Screw WN 1452 K40 x 20
3	020.303	Holding plate
4	022.143	Cable harness suction engine incl. interference suppression capacitor
5a	P971H	Turbine sealing
5	012.133	Seal for Motor S10/12
6	P870E	Suction motor 230V/50Hz 1000 W bp
7	P870KB	Carbon brushes (pair) OEP
8	020.309	Isolation Ring
9	020.308	Reinforcement Piece
10	020.304	Boiler seal
11	020.307	Cable harness with clamp
12	P390	Marking plate
13	P516E	Screw WN 1451 K30 x 20
14	P517A	Screw WN 1452 K40 x 35
15	4611085	Cable Clamp
16	P516Z	Screw WN 1452 K50 x 16

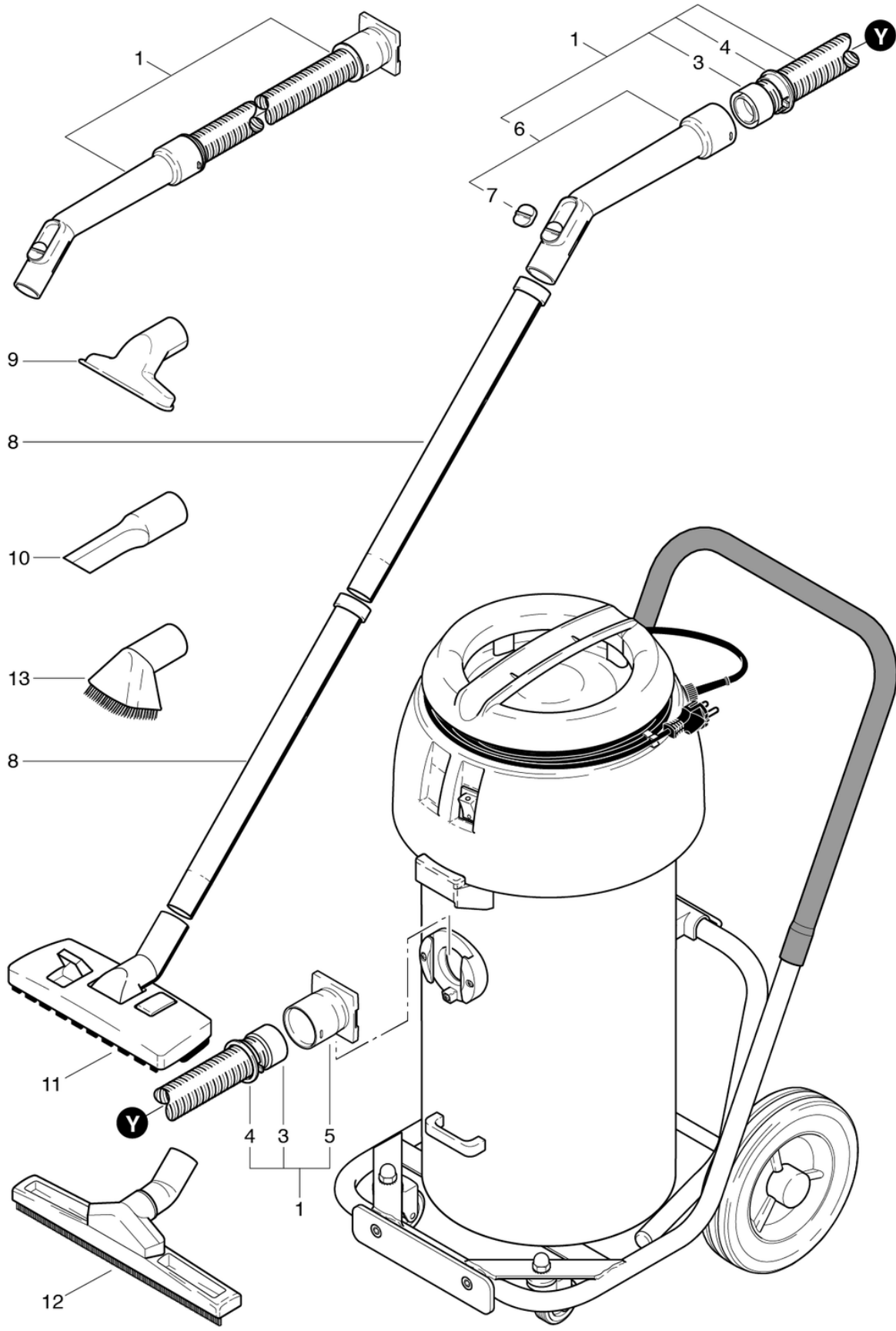
# SW25 K

## Standard accessoires

PDF created on: 16.07.2024 12:42



SW 25 KW



# SW25 K

## Standard accessoires

PDF created on: 16.07.2024 12:42

<b>Pos.</b>	<b>Item no.</b>	<b>Spare part</b>
1	020.567	Suction hose 3m, with hand tube
3	P583	Support ring for screw on ø32
4	P578	Click ring gray
5	012.570	Hose End Connector
6	900.670	Hand tube with air flap slide
7	P581B	Slide
8	645.002A	Inox tube
9	645.004	Upholstery nozzle
10	645.006	Rubber crevice tool
11	645.103	Combi nozzle
12	646.300	Water suction nozzle, 37cm
13	645.005	Dropery brush

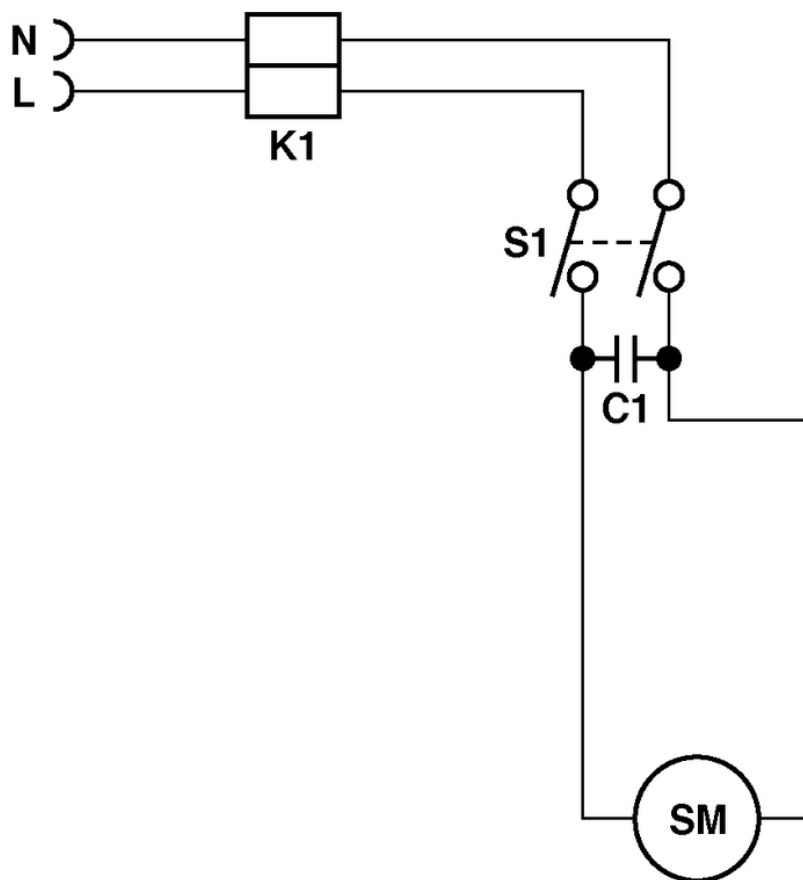
# SW25 K

## Wiring diagram

PDF created on: 16.07.2024 12:42



SW 25 KW



- K1 = Reihenklemme / Serre-fil / Cable clamp
- S1 = Wippenschalter / Interrupteur / Tumbler switch
- C1 = Kondensator / Condensateur / Capacitor 0.15 F
- SM = Saugmotor / Moteur d'aspiration / Vacuum motor