

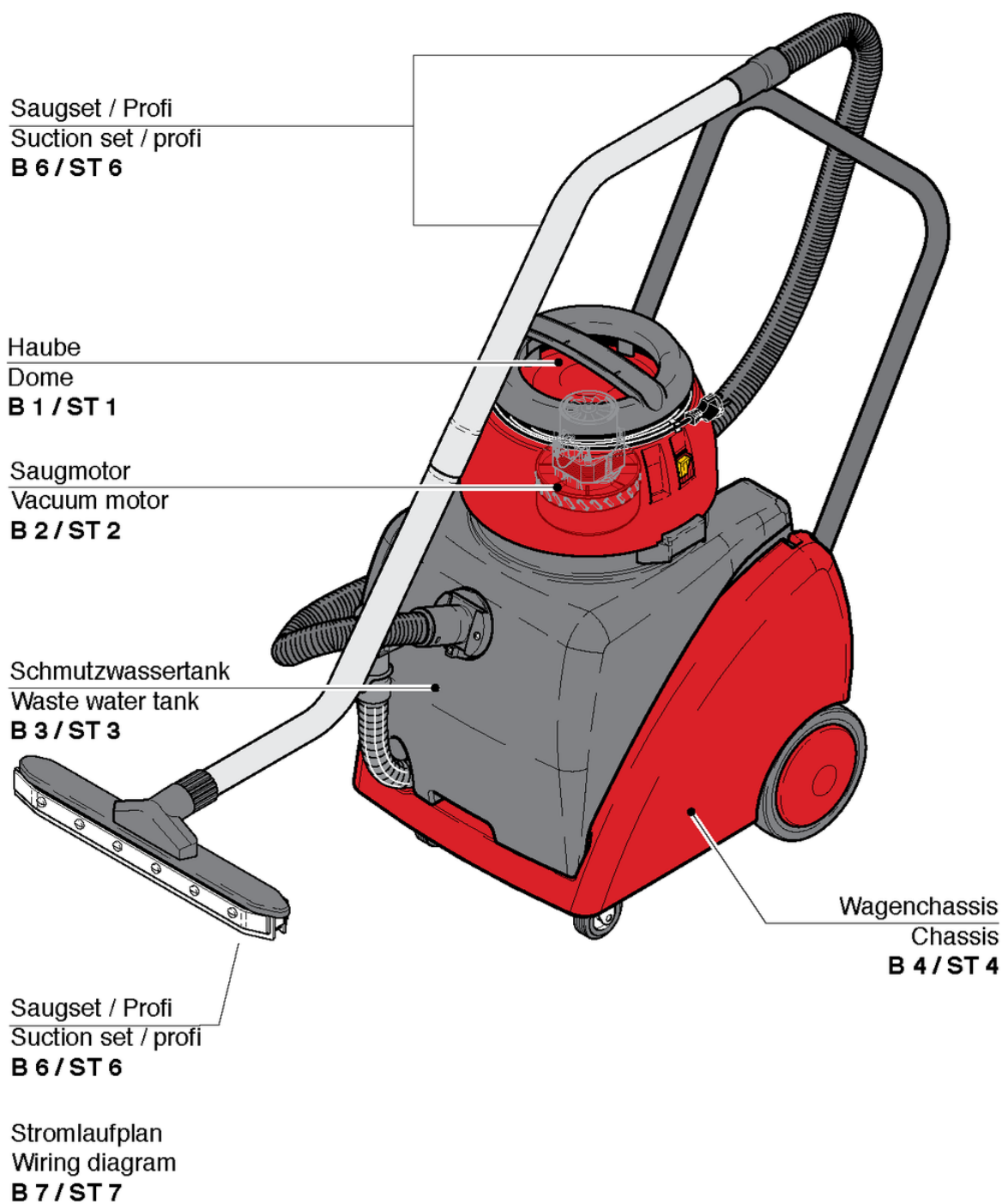
SW50 Profi

Table contents

PDF created on: 27.09.2024 05:54



SW 50 Profi



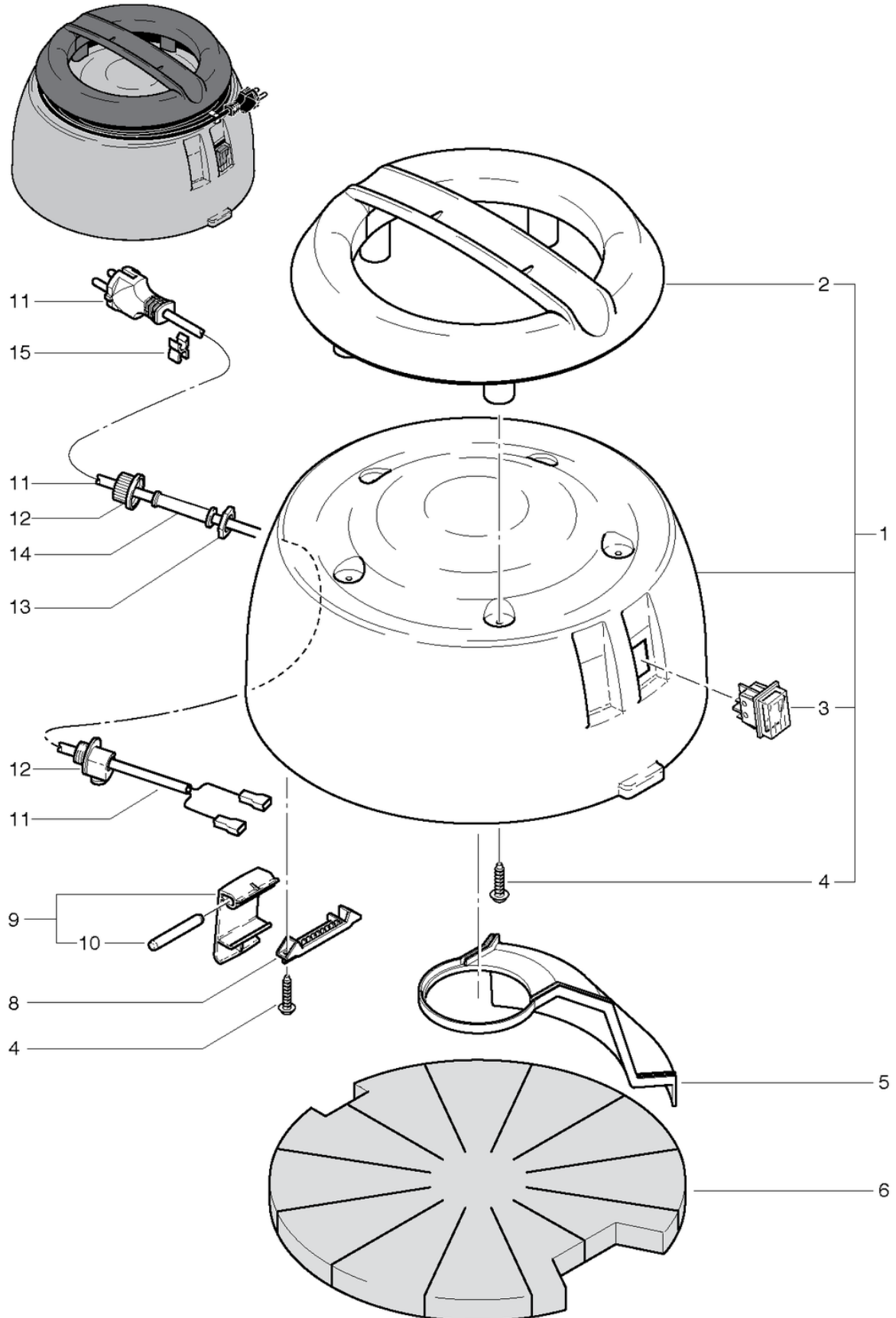
SW50 Profi

Dome

PDF created on: 27.09.2024 05:54



SW 50 Standard



SW50 Profi

Dome

PDF created on: 27.09.2024 05:54

Pos.	Item no.	Spare part
1	021.203	Cover compl. red printed
2	022.112	Handle
3	P240	Rocker switch orange 230V
4	P516C	Screw WN 1452 K40 x 16
5	020.213	Air canal
6	021.206	Noise absorber
8	020.114	bolt holder anthracite gray hard
9	020.116	Seal lever complete
10	022.115	Pin
11	656611711	Electrical connection SEV 15m
11	656611765	Electrical connection VDE
12	P279	2-part strain relief clamp
13	P279H	Lock nut PG9 brass nickel-plated
14	P280	Cable grommet
15	P278	Cable - clips gray

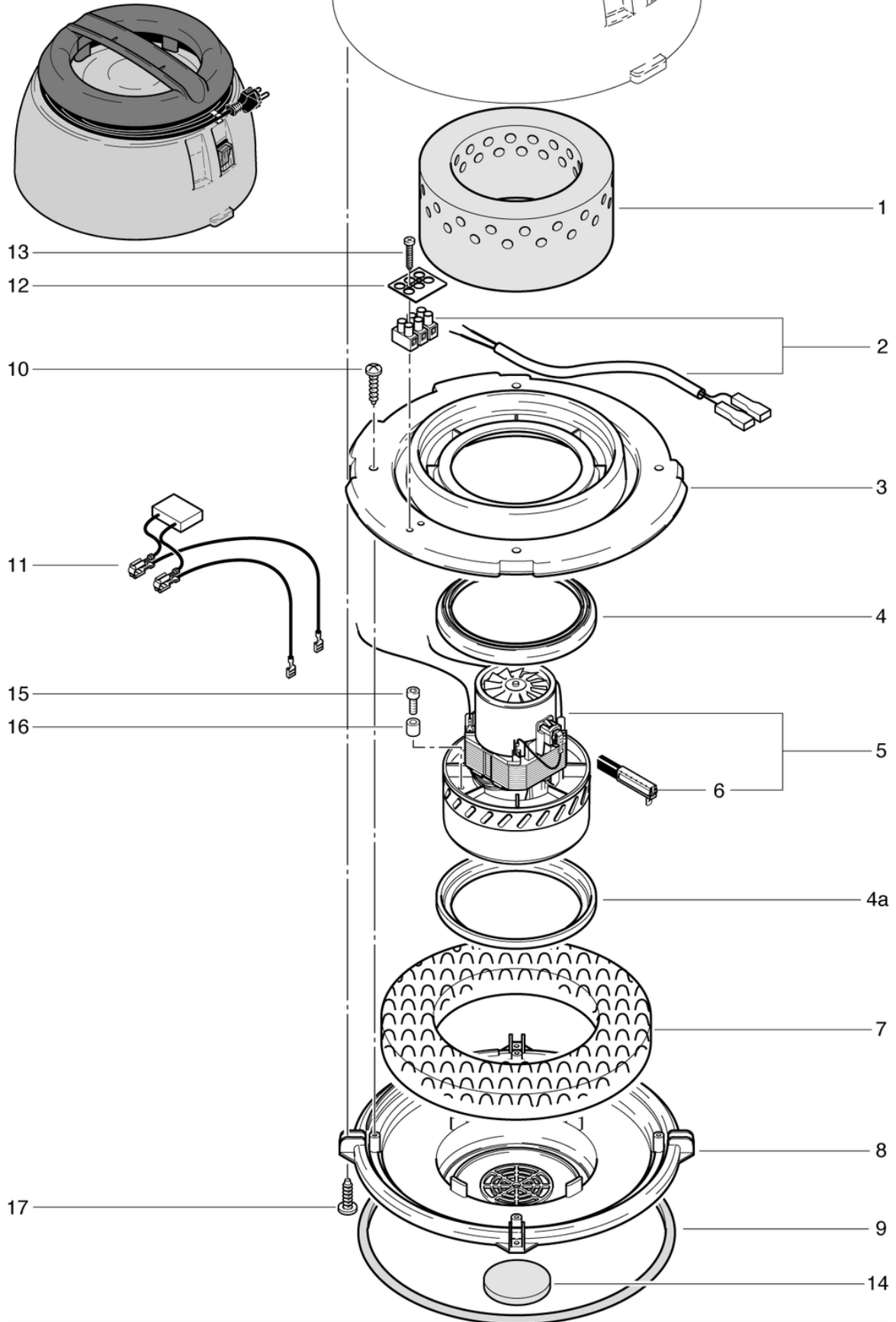
SW50 Profi

Vacuum motor

PDF created on: 27.09.2024 05:54



SW 50 Standard / Profi



SW50 Profi

Vacuum motor

PDF created on: 27.09.2024 05:54

Pos.	Item no.	Spare part
1	020.211	Motor sound insulation
2	020.307	Cable harness with clamp
3	020.303	Holding plate
4a	P971G	Turbine seal blue
4a	P971H	Turbine sealing
4	012.133	Seal for Motor S10/12
5	P870E	Suction motor 230V/50Hz 1000 W bp
5	P875	Suction motor 230V/50Hz,1500W, 2-stepped
6	P875A	Carbon brushes (pair)
7	020.309	Isolation Ring
8	020.308	Reinforcement Piece
9	020.304	Boiler seal
10	P515X	Screw WN 1452 K40 x 20
11	012.143	Motor cable harness incl. cond.
11	022.143	Cable harness suction engine incl. interference suppression capacitor
12	P390	Marking plate
13	P516E	Screw WN 1451 K30 x 20
14	022.134	Air Filter for Motor
15	P488I	Screw DIN 912 M5 x 20 A2
16	P509F	Distance piece 5.2x10x10
17	P516C	Screw WN 1452 K40 x 16

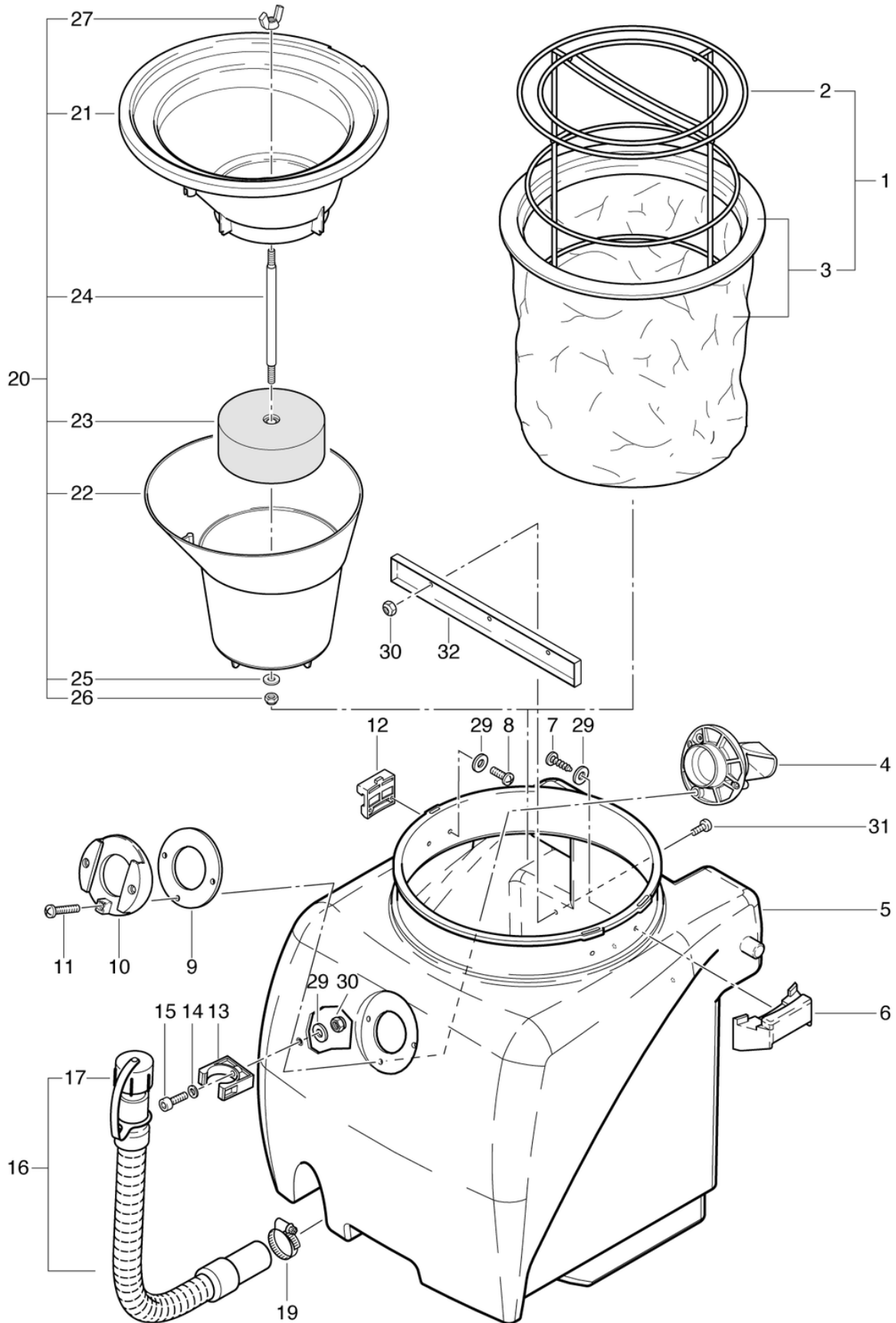
SW50 Profi

Waste water tank

PDF created on: 27.09.2024 05:54



SW 50 Standard / Profi



SW50 Profi

Waste water tank

PDF created on: 27.09.2024 05:54

Pos.	Item no.	Spare part
1	026.900	Large area filter including basket
2	026.910	Filter Cartridge
3	026.930	Filter Cloth
4	014.105	Deflectors SW21 anthracite gray
5	026.200	Recovery tank preassembled
6	020.122	Hood sensor S20 anthracite gray
7	P515Z	Screw WN 1452 K50 x 16
8	P476G	Screw DIN 7985 M5 x 16
9	649012512	Seal
10	4011524	Tank connection
11	P515N	Screw WN 1452 K50 x 35
12	026.240	Lever fixation
13	P109A	Hose holder anthracite
14	P497G	Washer DIN 125 A M5 5,3/10/1 A2
15	P488K	Screw DIN 912 M5 x 25 A2
16	026.230	Discharge Hose SW50
19	P553R	Hose clamp 039.6-706R
20	021.601	Float insert cpl.
21	014.622A	Carrier wet suction
22	014.623	Float cover
23	014.620	Float Assembly
24	014.624	Float rod
25	P497K	Washer DIN 125 A M6 6,4/12/1,6 A2
26	P492K	Nut DIN 985 M6 A2
27	P253L	Wing nut Ø34 M6 through thread
29	6230217	Shim 5 x 12 x 1 copper
30	P493G	Nut DIN 985 M5
31	P475I	Screw DIN 85 A M5 x 12 A2
32	026.213	Plate to fuel

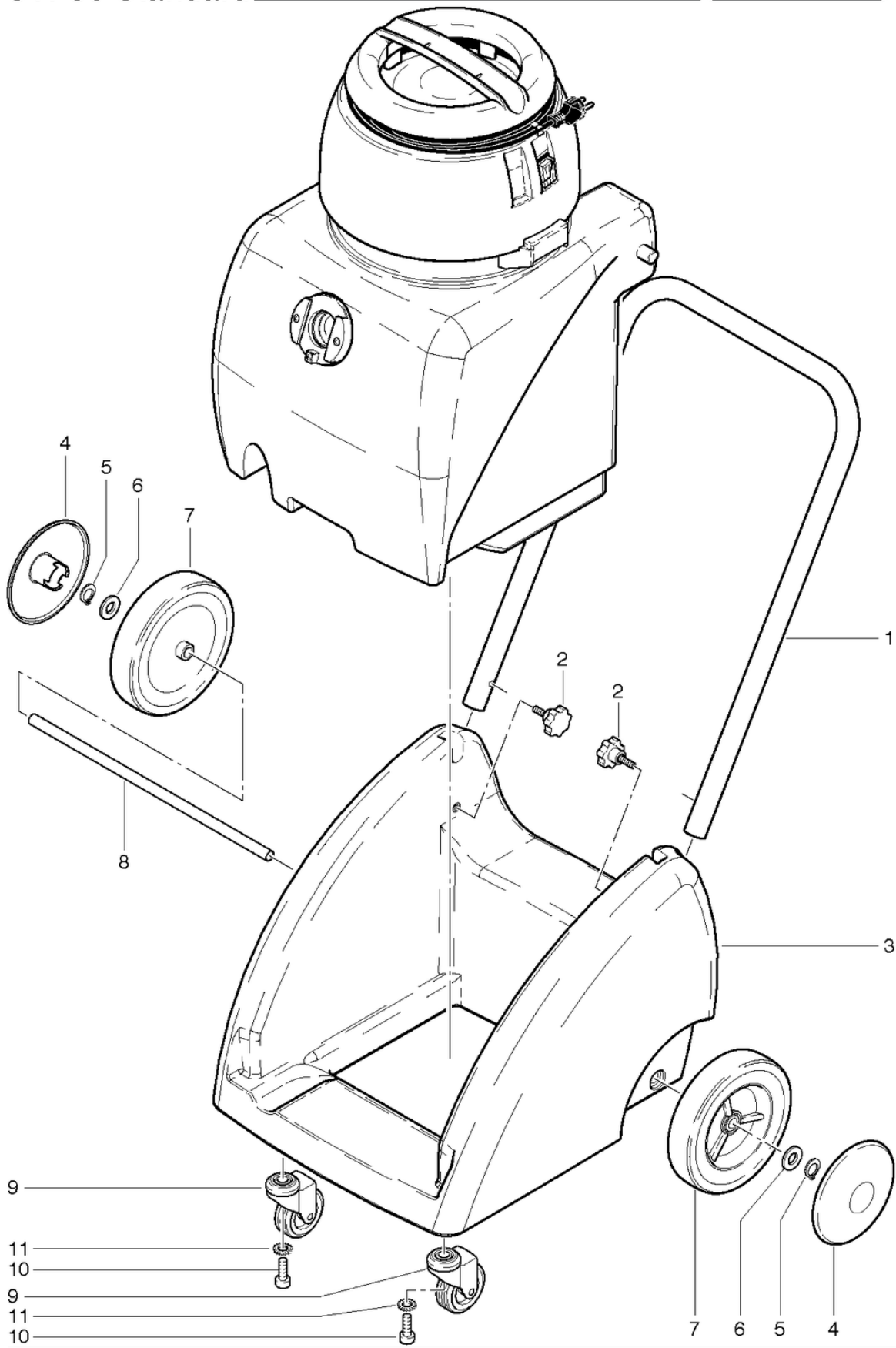
SW50 Profi

Chassis

PDF created on: 27.09.2024 05:54



SW 50 Standard



SW 50 Standard

Wagenchassis

B 4-10.2002

SW50 Profi

Chassis

PDF created on: 27.09.2024 05:54

Pos.	Item no.	Spare part
1	026.320	Handle
2	P253C	Star grip Ø40 M8 x 35
3	026.310	SW50 Chassis
4	026.331	Wheel Cover for R53-1100
5	P513E	Ring DIN 471 12/1,0
6	P496A	Washer DIN 522 M12 13/30/1,6
7	026.330	Rear Wheel
8	026.332	Wheel axle
9	P204	Caster ø75mm
10	P487ZB	Screw DIN 7984 M10 x 20 galvanized
11	P498E	Ring DIN 127 B M10 10,2/18,1/2,2

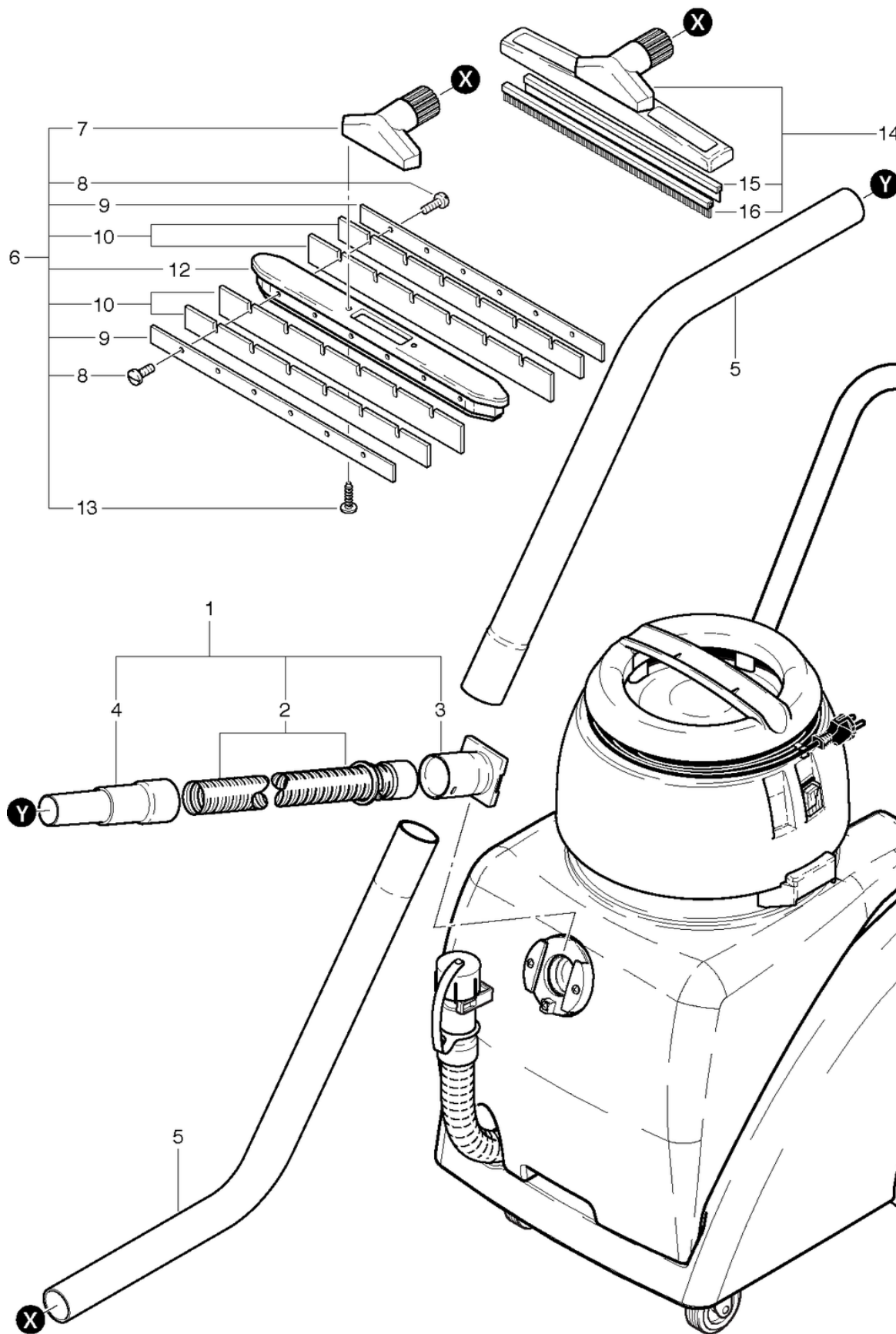
SW50 Profi

Suction set

PDF created on: 27.09.2024 05:54



SW 50 Profi



SW50 Profi

Suction set

PDF created on: 27.09.2024 05:54

Pos.	Item no.	Spare part
1	2011591	SW50 Hose
2	6505479	Hose 4m Ø38
3	4011745	End Socket
4	3011769	Sleeve cpl.
5	687011408	Chrome steel tube, bent, ø38mm (set)
6	2011196	Water suction nozzle 42cm ø 38mm
7	2011210	Nozzle body compl.
8	P475L	Screw DIN 7985 M5 x 12 A4
9	4011080	Retaining strip
10	647011080	Set of rubber lips for water suction nozzle
12	3011195	Nozzle body 37cm coated and machined
13	P4830	Screw DIN 7981 TX25 C 4,8 x 19 A2
14	2011786	Floor nozzle 37cm ø 38mm
15	6865521	Brush insert front
16	6865522	Brush insert rear

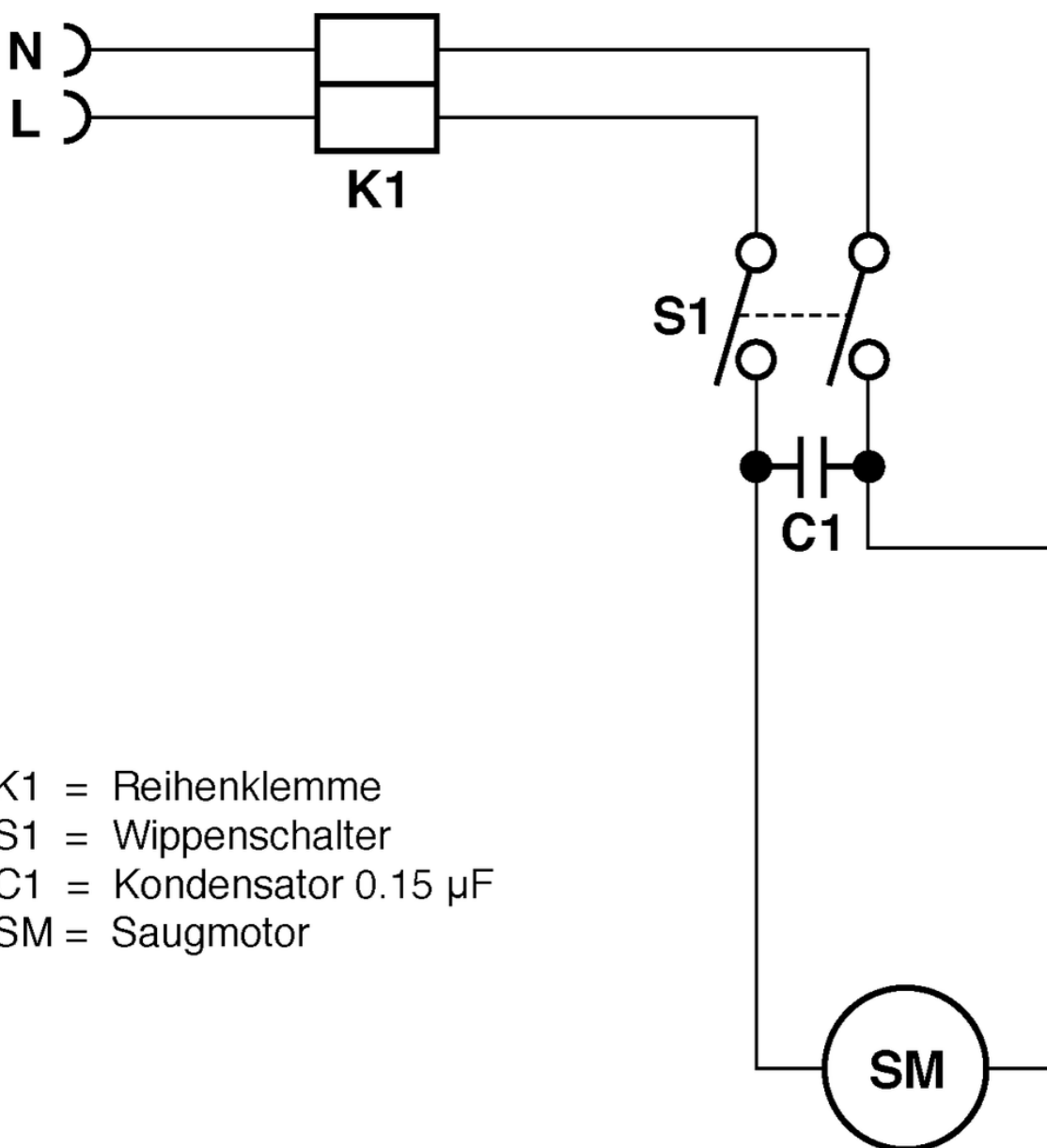
SW50 Profi

Wiring diagram

PDF created on: 27.09.2024 05:54



SW 50 Profi



- K1 = Reihenklemme
- S1 = Wippenschalter
- C1 = Kondensator 0.15 μ F
- SM = Saugmotor