

CLEANFIX TW 1200

Contents

PDF created on: 16.07.2024 12:36

B0- 07.2023



Sonderzubehör / Accessoires

Wand- und Decken-
düse, 9cm
Suceur pour mur
et plafond, 9cm
Wall and ceiling
tool, 9cm
B 11



Vorsprühlanze
mit Schlauch 10m
Lance de pré-
pulvérisation avec
tuyau 10m
Pre-spray lance
with hose 10m
B 12



Hartbodenadapter
Adapteur pour
les sols durs
Hard floor
attachment
B 13



Polsteradapter
Adapteur pour
ameublements
Upholstery tool
B 14

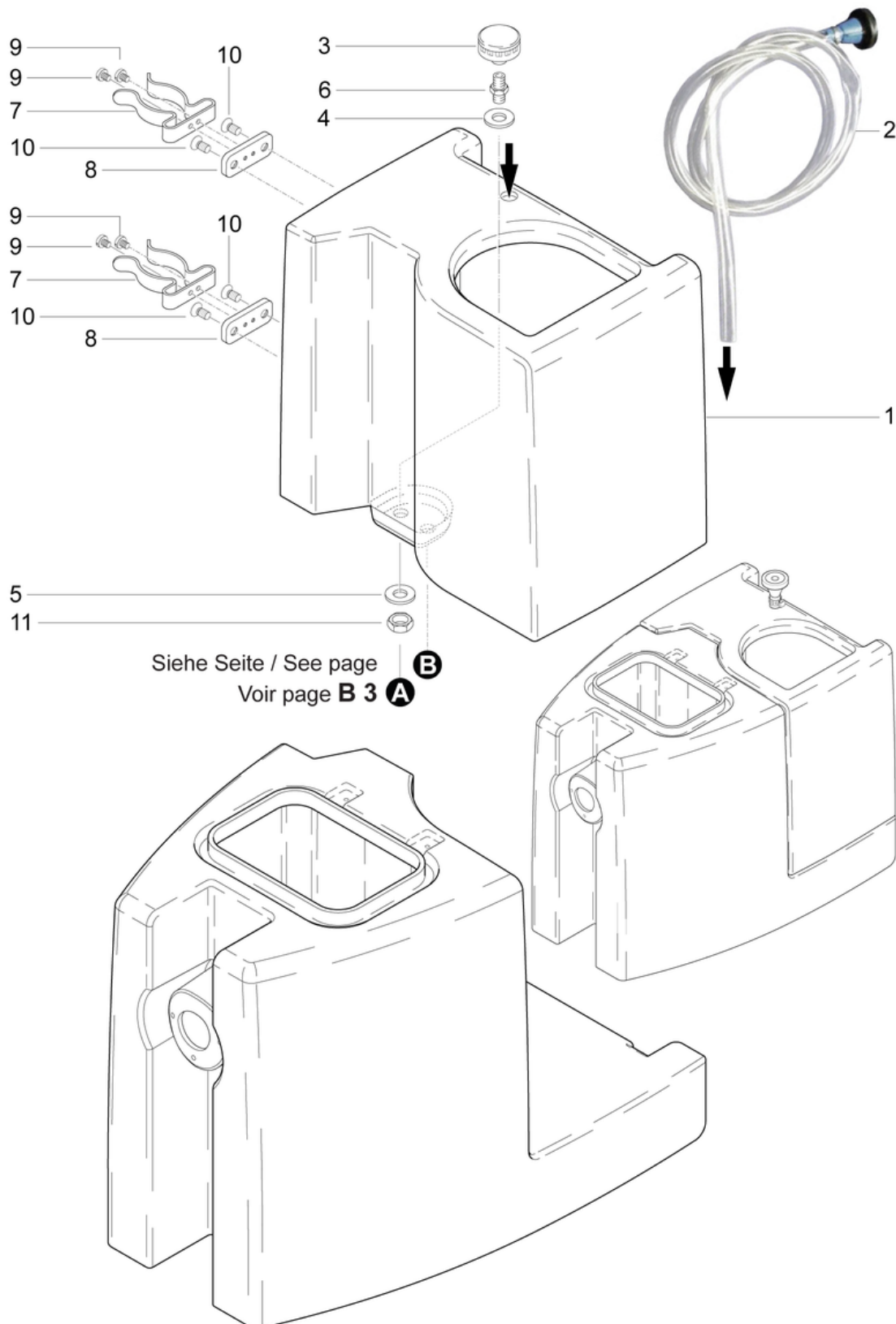


CLEANFIX TW 1200

Clean water tank

PDF created on: 16.07.2024 12:36

B1- 07.2023



CLEANFIX TW 1200

Clean water tank

PDF created on: 16.07.2024 12:36

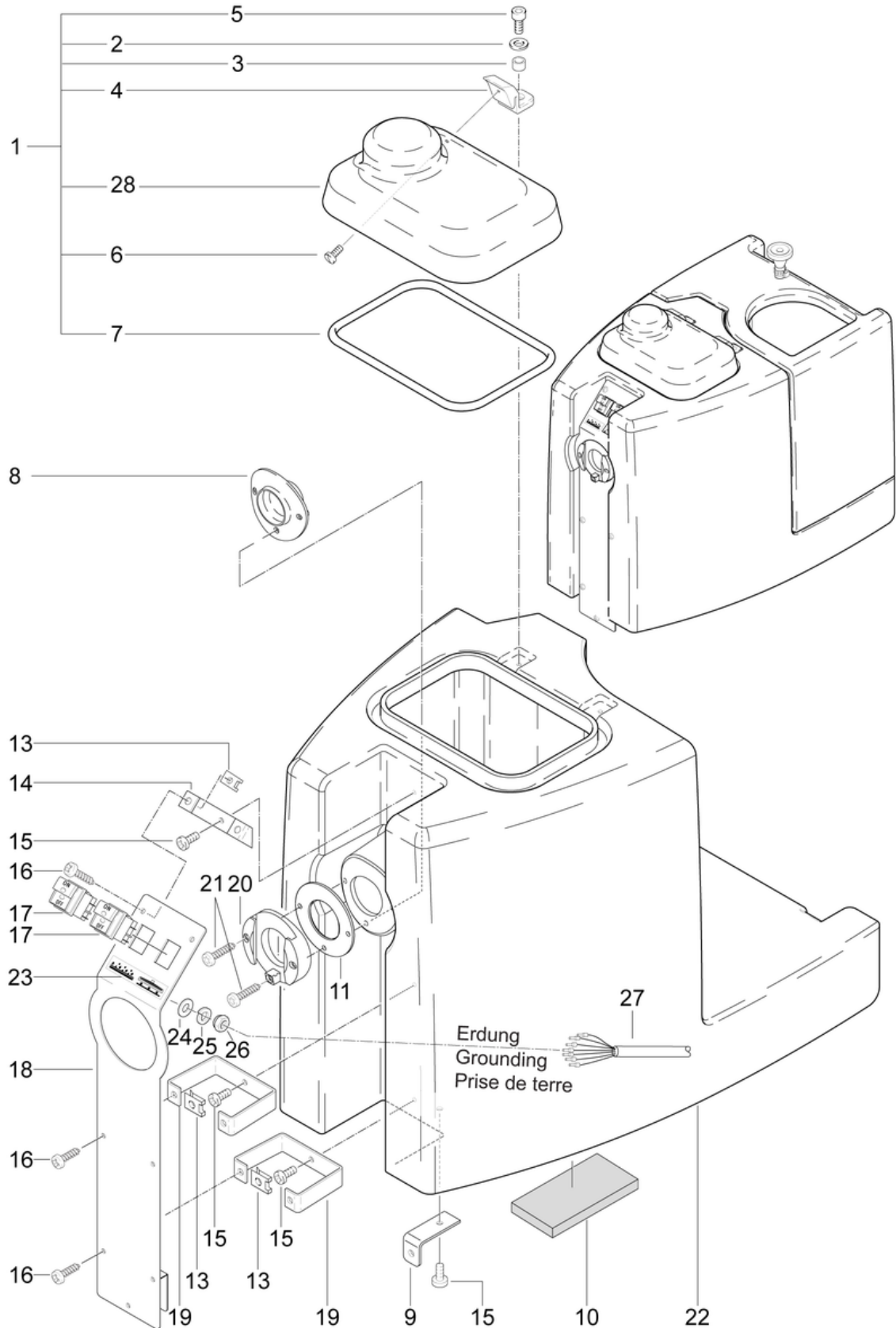
| Pos. | Item no. | Spare part |
|-------------|-----------------|-------------------------------------|
| 1 | 126.201 | Fresh water tank Foam, red |
| 2 | 681.000 | Filling up hose for fresh water, 2m |
| 3 | 500.421 | Water Filter |
| 4 | P097 | Sealing shim 30/17/2 PE |
| 5 | P510N | Shim DIN 125 A M16 17/30/3 |
| 6 | P535F | Hollow nipple 3/8 - 1/4 x 18 Ms |
| 7 | 124.314 | Spring clip |
| 8 | 126.310 | Holder |
| 9 | P476V | Screw SN 213306 M4 x 5 |
| 10 | P487U | Screw DIN 7991 M6 x 12 |
| 11 | P535B | Nut 3/8 Ms |

CLEANFIX TW 1200

Waste water tank

PDF created on: 16.07.2024 12:36

B2- 07.2023



CLEANFIX TW 1200

Waste water tank

PDF created on: 16.07.2024 12:36

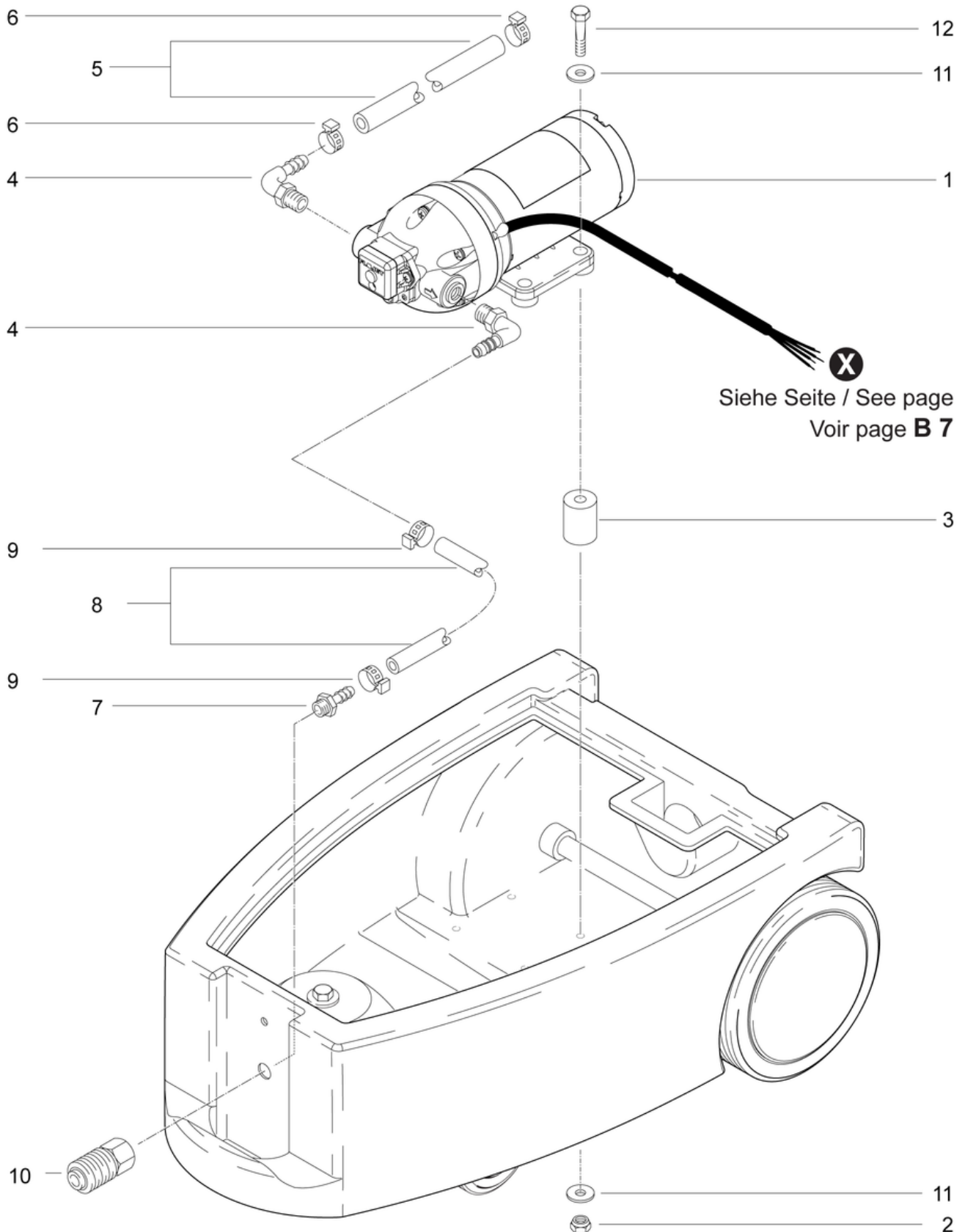
| Pos. | Item no. | Spare part |
|------|-----------|--|
| 1 | 124.350 | Hood cpl. |
| 2 | P497K | Washer DIN 125 A M6 6,4/12/1,6 A2 |
| 3 | 430.618 | Distance ring $\varnothing 7/5 \times 5,5$ |
| 4 | 710.122 | Rubber Hinge |
| 5 | P488B | Screw DIN 912 M5 x 12 A2 |
| 6 | P4800 | Screw DIN 965 M4 x 8 A2 |
| 7 | 124.315 | Cover Seal |
| 8 | 014.105 | Deflectors SW21 anthracite gray |
| 9 | 124.304 | Corner |
| 10 | 126.516 | Self-adhesive soundproofing mat |
| 11 | 649012512 | Seal |
| 13 | P494C | Nut 4.8 / 3 - 3.9 St vz |
| 14 | 124.311 | Upper fixation |
| 15 | P476P | Screw DIN 7985 M6 x 12 |
| 16 | P482B | Screw DIN 7981 C 4,8 x 19 black |
| 17 | P240 | Rocker switch orange 230V |
| 18 | 126.105 | Cover plate foam |
| 19 | 124.312 | Holder |
| 20 | 4012234 | Anthracite gray tub connection |
| 21 | P515N | Screw WN 1452 K50 x 35 |
| 22 | 124.301 | Waste water tank red |
| 23 | 713 | Label spray, vacuum |
| 24 | P497D | Shim DIN 125 A M4 4,3/9/0,8 Ms |
| 25 | P498A | Ring DIN 127 B M4 4,1/7,6/0,9 CuSn |
| 26 | P491Q | Nut DIN 934 M4 brass |
| 27 | 124.303 | Cable harness switch |
| 28 | 041.409 | TW401 Plastic Dome |

CLEANFIX TW 1200

Pump assembling

PDF created on: 16.07.2024 12:36

B3- 07.2023



CLEANFIX TW 1200

Pump assembling

PDF created on: 16.07.2024 12:36

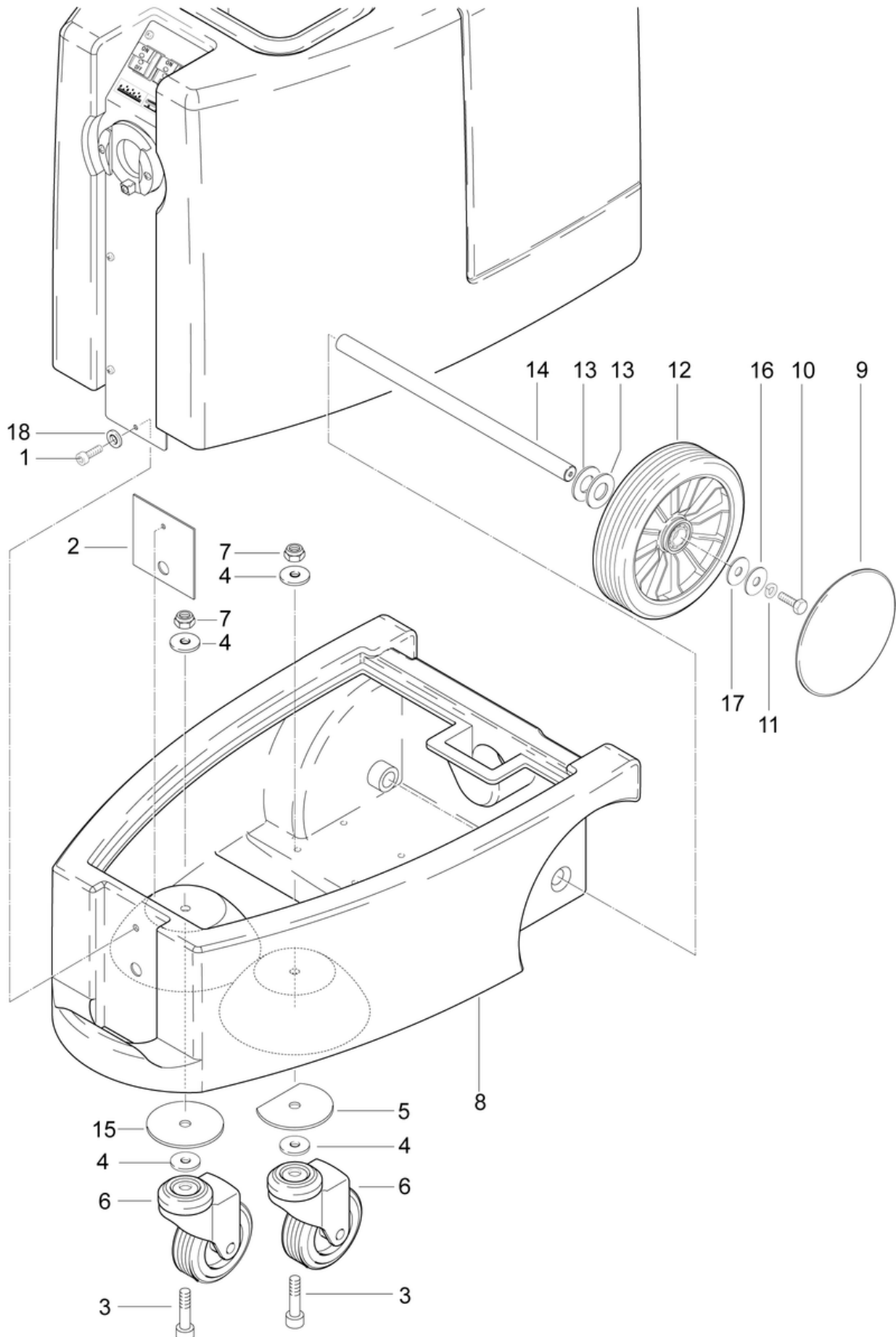
| Pos. | Item no. | Spare part |
|------|----------|---|
| 1 | P820B | Flojet pump 230V |
| 2 | P492K | Nut DIN 985 M6 A2 |
| 3 | 125.102 | Distance piece |
| 4 | P541M | Elbow nipple WES 8 / R3 / 8 |
| 5 | 126.124 | Hose PVC-P, smooth \varnothing 14/8 x 0,87m |
| 6 | P550B | Hose clamp 15.7-706R |
| 7 | P524F | Hose nipple NW8 - 1/4 AG Ms |
| 8 | 126.123 | Pressure hose HD \varnothing 8/4 x 0,43m |
| 9 | P550C | Hose clamp 17.0-706R |
| 10 | 380.045 | Coupling G 1/4 |
| 11 | P497H | Washer DIN 9021 M6 6,4/18/1,6 A2 |
| 12 | P470C | Screw DIN 933 M6 x 60 |

CLEANFIX TW 1200

Chassis and wheel

PDF created on: 16.07.2024 12:36

B4- 07.2023



CLEANFIX TW 1200

Chassis and wheel

PDF created on: 16.07.2024 12:36

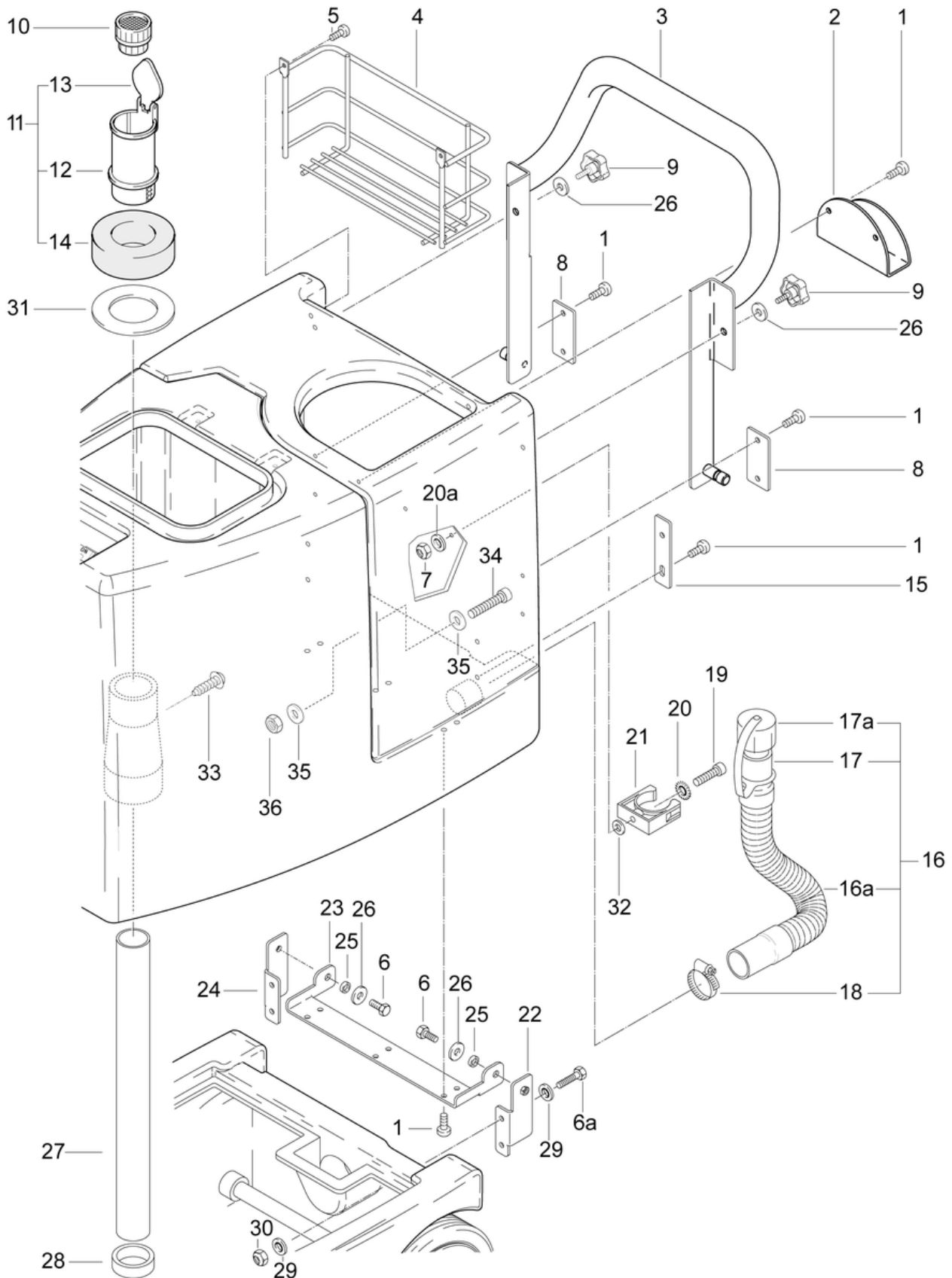
| Pos. | Item no. | Spare part |
|------|----------|--------------------------------------|
| 1 | P486P | Screw DIN 912 M6 x 20 |
| 2 | 124.111 | Plate for closure |
| 3 | P487HA | Screw DIN 912 M10 x 35 A2 |
| 4 | P496S | Washer DIN 9021 M10 10,5/30/2,5 A2 |
| 5 | 124.113 | Subject plate |
| 6 | 530.225 | Castor 100mm |
| 7 | P492Q | Nut DIN 985 M10 |
| 8 | 126.102 | Chassis SC 1250 Foam anthracite gray |
| 9 | 530.242 | Wheel Cover Red |
| 10 | P472R | Screw DIN 933 M6 x 12 A2 |
| 11 | P498U | Ring DIN 127 B M6 6,1/11,8/1,6 A2 |
| 12 | 530.240 | wheel ø226 x 53 including bearings |
| 13 | P499WW | Shim DIN 988 20/32/0,5 |
| 14 | 124.102 | Wheel axle ø20 x 395mm |
| 15 | 124.103 | Reinforcement shim |
| 16 | P497Y | 4/25/1 |
| 17 | P497H | Washer DIN 9021 M6 6,4/18/1,6 A2 |
| 18 | P510E | Shim DIN 9021 M6 6,4/18/1,6 PA6.6 |

CLEANFIX TW 1200

Handle

PDF created on: 16.07.2024 12:36

B5 - 07.2023



CLEANFIX TW 1200

Handle

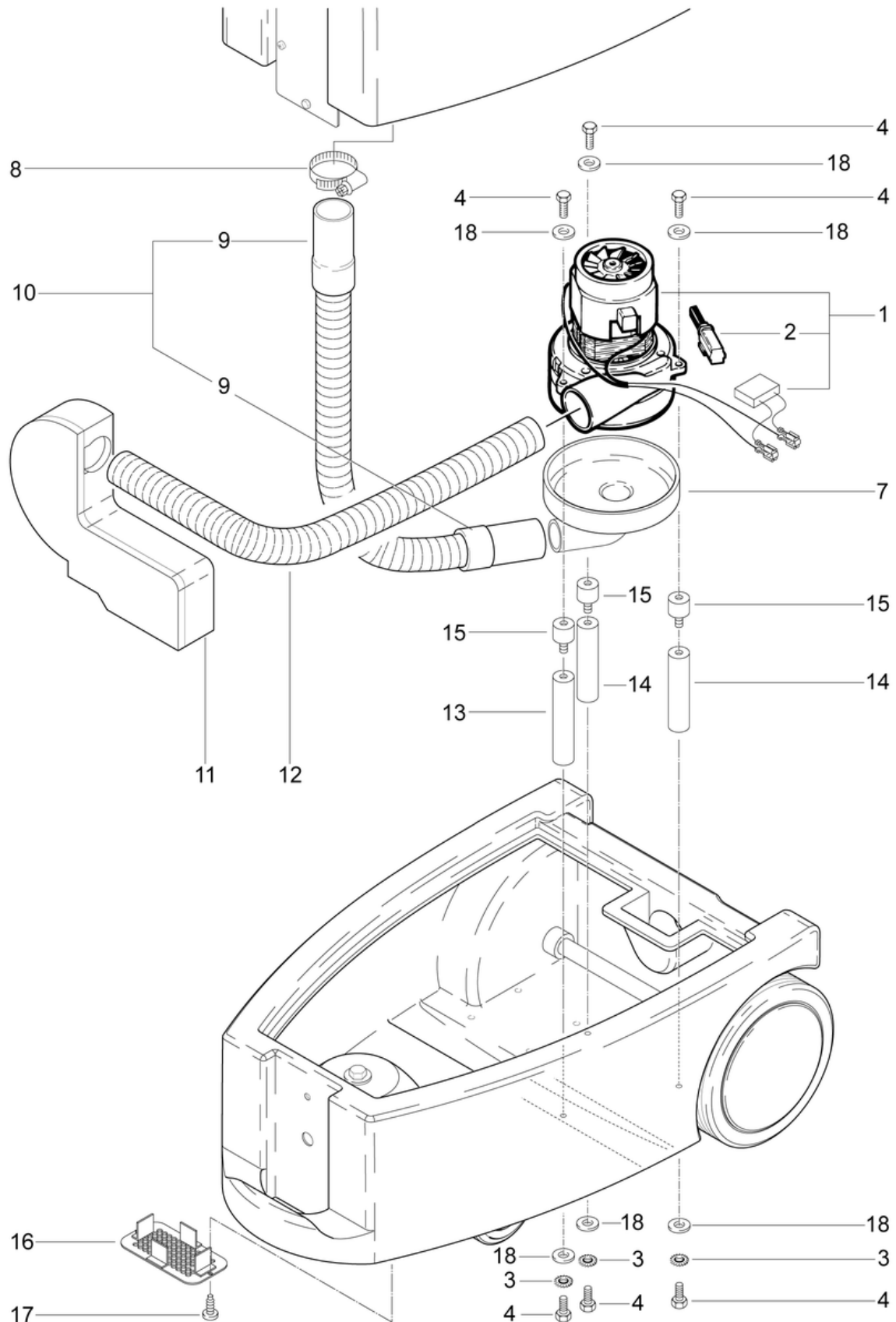
| Pos. | Item no. | Spare part |
|------|----------|-----------------------------------|
| 1 | P476P | Screw DIN 7985 M6 x 12 |
| 2 | 124.205 | Cable support |
| 3 | 124.202 | Handle compl. |
| 4 | 124.204 | Basket for material |
| 5 | P481P | Screw DIN 7985 M4 x 8 |
| 6a | P472U | Screw DIN 933 M6 x 25 A2 |
| 6 | P472R | Screw DIN 933 M6 x 12 A2 |
| 7 | P493G | Nut DIN 985 M5 |
| 8 | 124.207 | Support |
| 9 | 124.208 | Star handle ø32 M6 x 20 |
| 10 | P071 | Suction pipe screen |
| 11 | 124.306 | Float cpl. |
| 12 | P074B | Float tube |
| 13 | P076D | Cover of the float |
| 14 | 124.318 | Body for float |
| 15 | 124.206 | Connecting piece |
| 16a | 420.741 | Drain Hose RA430B |
| 16 | 420.740 | Drain hose cpl. |
| 17a | 432.110 | Cover for Execution |
| 17 | 500.409A | Hose sleeve 45 x 25 x 80mm |
| 18 | P553R | Hose clamp 039.6-706R |
| 19 | P488I | Screw DIN 912 M5 x 20 A2 |
| 20a | P497Q | Shim DIN 9021 M5 5,3/15/1,2 PA6.6 |
| 20 | P496H | Shim DIN 125 A M5 5,3/10/1 |
| 21 | P109A | Hose holder anthracite |
| 22 | 124.309 | Left hinge |
| 23 | 124.307 | Lower part of hinge |
| 24 | 124.310 | Right hinge |
| 25 | 124.308 | Distance ring ø8/6 x 4 |
| 26 | P497H | Washer DIN 9021 M6 6,4/18/1,6 A2 |
| 27 | 124.316 | Suction tube |
| 28 | 124.305 | Guide sleeve |
| 29 | P496K | Shim DIN 125 A M6 6,4/12/1,6 |
| 30 | P492K | Nut DIN 985 M6 A2 |
| 31 | 125.305 | Float support |
| 32 | P499C | Shim DIN 6798 A M5 5,3/10/0,6 |
| 33 | P483G | Screw DIN 7981 C 2,9 x 9,5 |
| 34 | P488S | Screw DIN 912 M6 x 30 A2 |
| 35 | P510E | Shim DIN 9021 M6 6,4/18/1,6 PA6.6 |
| 36 | P491E | Nut DIN 934 M6 A2 |

CLEANFIX TW 1200

Vacuum motor assembling

PDF created on: 16.07.2024 12:36

B6- 07.2023



CLEANFIX TW 1200

Vacuum motor assembling

PDF created on: 16.07.2024 12:36

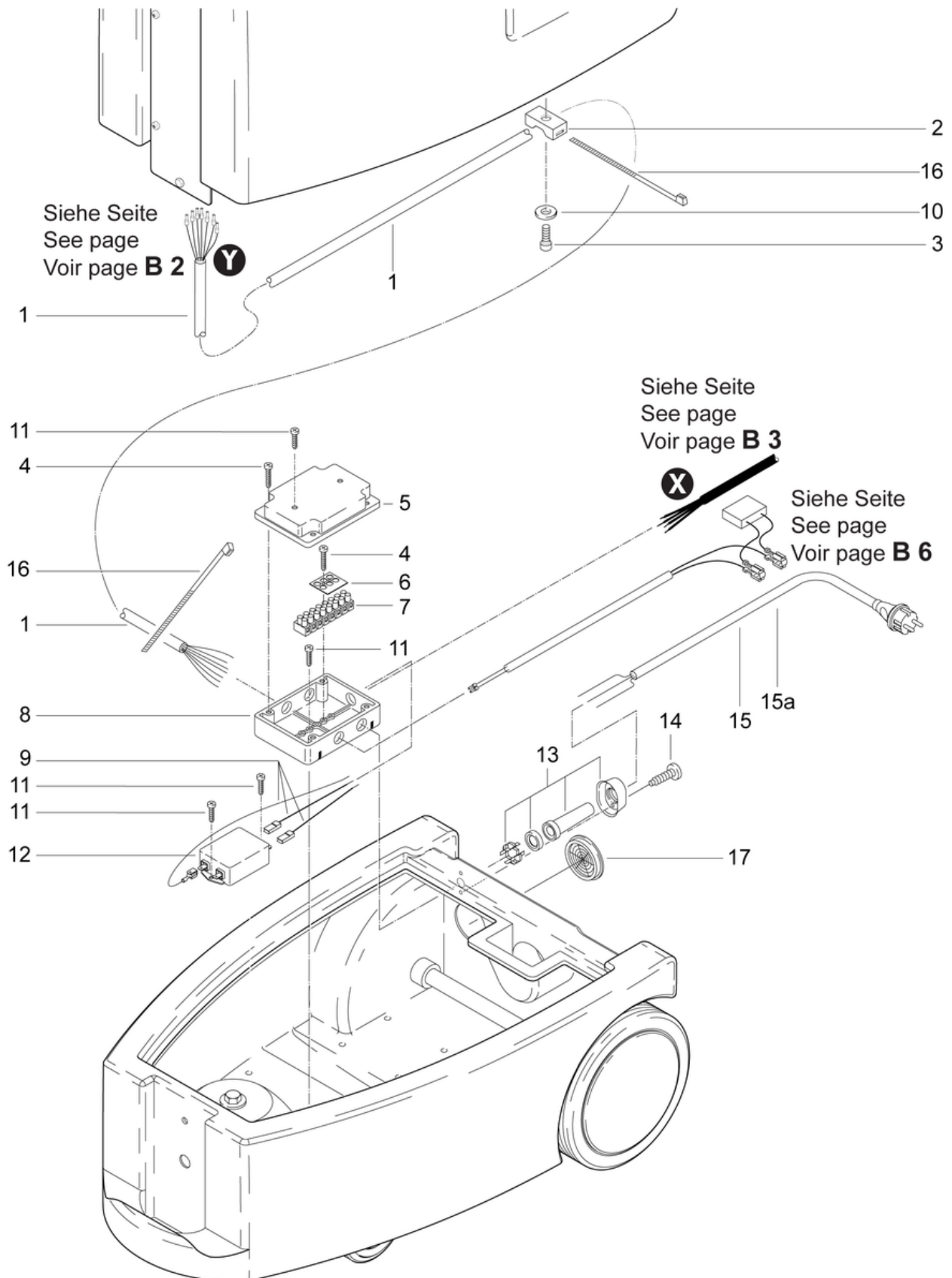
| Pos. | Item no. | Spare part |
|-------------|-----------------|---|
| 1 | P883 | Suction motor 230 / 240V 50 / 60Hz, without suction nozzle |
| 2 | P878KB | Carbon brushes (pair) |
| 3 | P499D | Shim DIN 6798 M6 6,4/11/0,7 A2 |
| 4 | P472S | Screw DIN 933 M6 x 16 A2 |
| 7 | 470.490 | Hose Connection Cap |
| 8 | P206D | Hose clamp 32-50mm/12 |
| 9 | 124.115 | Connecting sleeve shortened |
| 10 | 124.109 | Suction hose L = 0.9m cpl. |
| 11 | 124.112 | Sound insulation duct |
| 12 | 124.110 | Exhaust hose L = 0.6m |
| 13 | 124.104 | Distance spacer 101mm |
| 14 | 124.105 | Distance piece \varnothing 18 x 93mm |
| 15 | 060.241 | Round buffer M6 x 15, \varnothing 20 x 15, M6 female thread |
| 16 | 124.116 | Covering piece |
| 17 | P516P | Screw WN 1452 K40 x 12 |
| 18 | P497H | Washer DIN 9021 M6 6,4/18/1,6 A2 |

CLEANFIX TW 1200

Electrical connection

PDF created on: 16.07.2024 12:36

B7- 07.2023



CLEANFIX TW 1200

Electrical connection

PDF created on: 16.07.2024 12:36

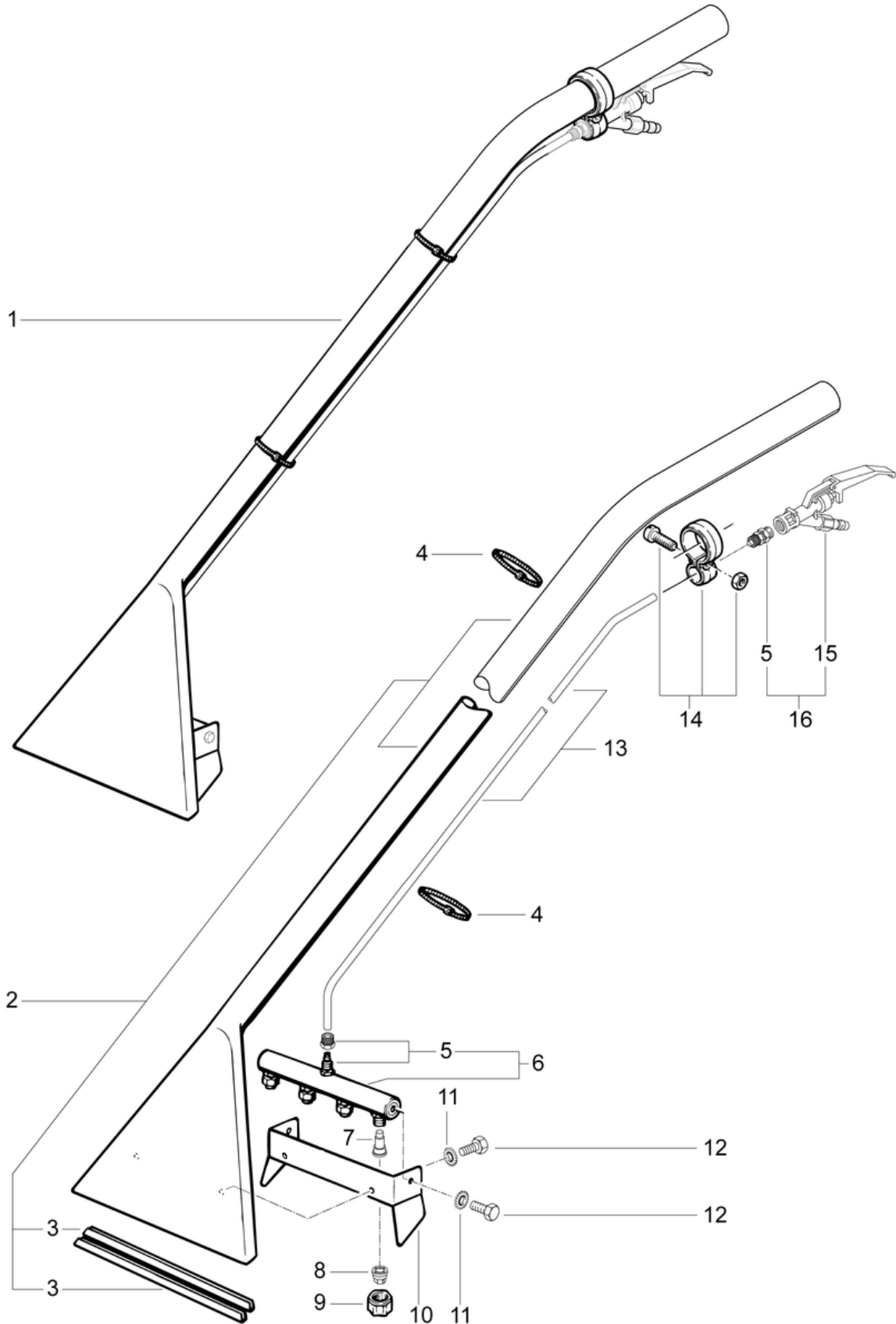
| Pos. | Item no. | Spare part |
|------|-----------|---|
| 1 | 124.303 | Cable harness switch |
| 2 | 125.111 | Cable tie holder |
| 3 | P476P | Screw DIN 7985 M6 x 12 |
| 4 | P516S | Screw WN 1452 K30 x 14 |
| 5 | P379A | Terminal box cover |
| 6 | P394 | Marking plate 500 BZ 3 L,N,PE |
| 7 | P383M | Screw terminal with DS, 9 P. 2.5mm |
| 8 | P377 | Terminal box bottom part |
| 9 | 125.041 | 3-part stranded wire harness |
| 10 | P496K | Shim DIN 125 A M6 6,4/12/1,6 |
| 11 | P516A | Screw WN 1452 K30 x 10 A2 |
| 12 | 125.040 | 1-phase filter |
| 13 | 6605178 | Cable security |
| 14 | P516O | Screw WN 1452 K40 x 25 |
| 15a | 656711039 | Mains cable VDE 3 x 1.5mm ² , 12.5m gray |
| 15 | P287G | Mains cable SEV 3 x 1.5mm ² , 12.5m IP55 |
| 16 | P609 | Cable tie black 4,8 x 178mm |
| 17 | P030L | Ventilation grille round Ø 43mm black |

CLEANFIX TW 1200

Carpet tool, 4-nozzles

PDF created on: 16.07.2024 12:36

B8- 07.2023



CLEANFIX TW 1200

Carpet tool, 4-nozzles

PDF created on: 16.07.2024 12:36

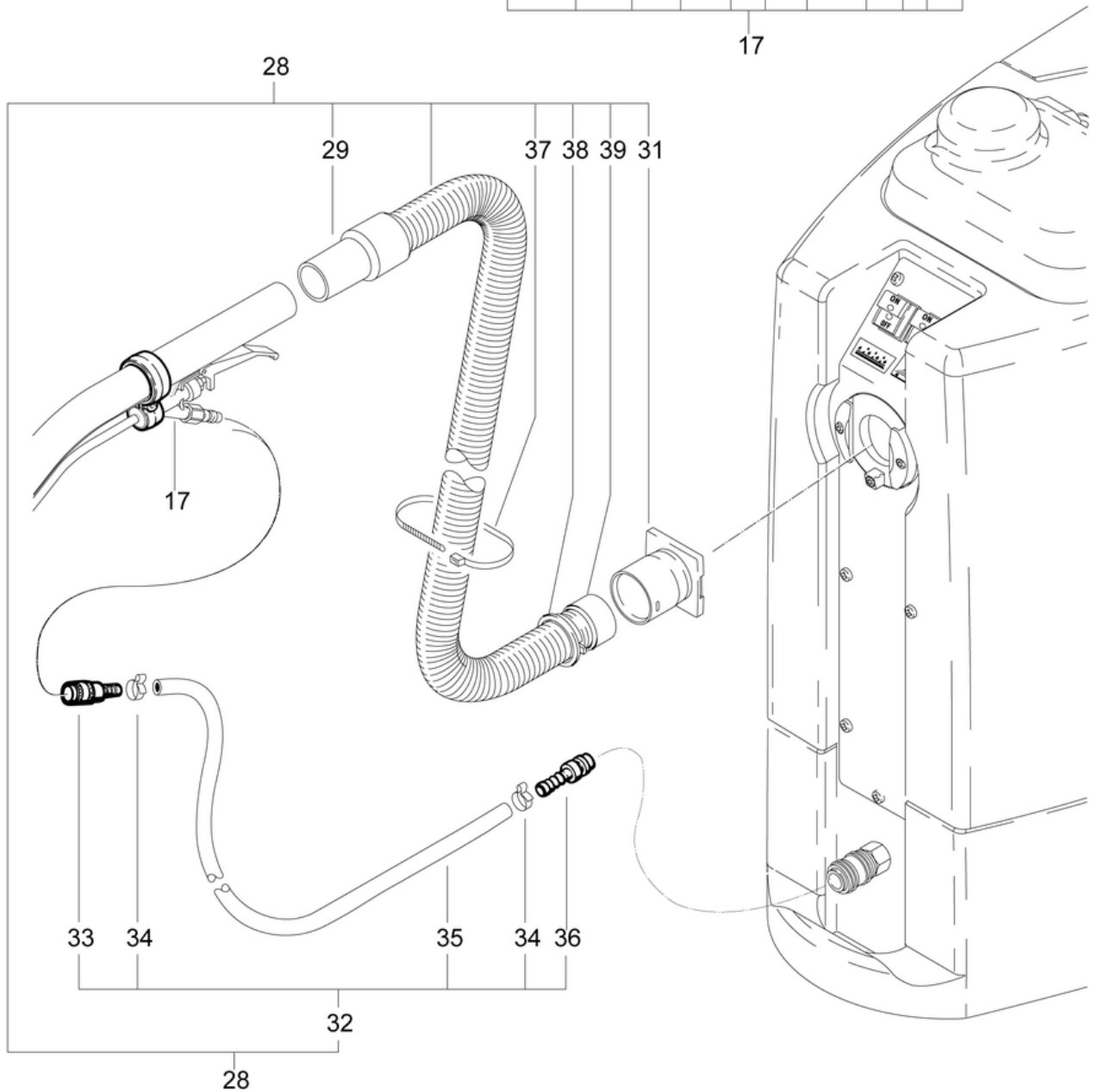
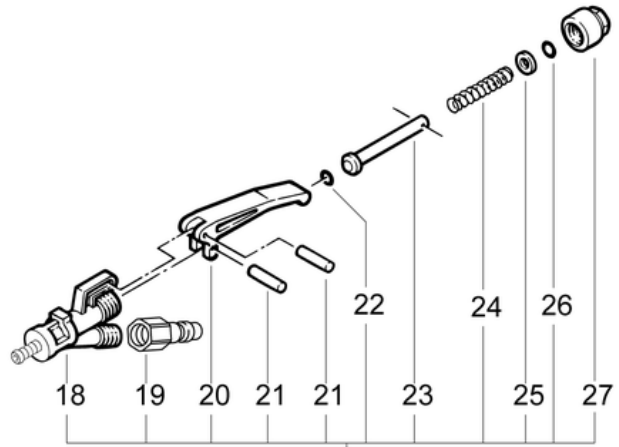
| Pos. | Item no. | Spare part |
|-------------|-----------------|---|
| 1 | 611.000 | Carpet adapter, 4 jet 30cm, alu high pressure |
| 2 | P605 | Hand tube with nozzle 30cm, Alu |
| 3 | P605D | Sliding blade 275 mm |
| 4 | P609 | Cable tie black 4,8 x 178mm |
| 5 | P526A | Hose connector compl. |
| 6 | P607 | Manifold pipe 250 |
| 7 | P607E | Back pressure application |
| 8 | P607F | Spray nozzle HD |
| 9 | P523D | Sleeved nut |
| 10 | P607A | Nozzle rod holding plate 4 nozzles 25cm |
| 11 | P499D | Shim DIN 6798 M6 6,4/11/0,7 A2 |
| 12 | P472P | Screw DIN 933 M6 x 8 A2 |
| 13 | P608 | Flexilon - p-pipe 6/8 white |
| 14 | P683 | Adapter pipe clamp cpl. |
| 15 | P680 | Lever valve cpl. with core hole |
| 16 | P680B | Lever valve with bolting |

CLEANFIX TW 1200

Spray and suction hose

PDF created on: 16.07.2024 12:36

B9- 07.2023



CLEANFIX TW 1200

Spray and suction hose

PDF created on: 16.07.2024 12:36

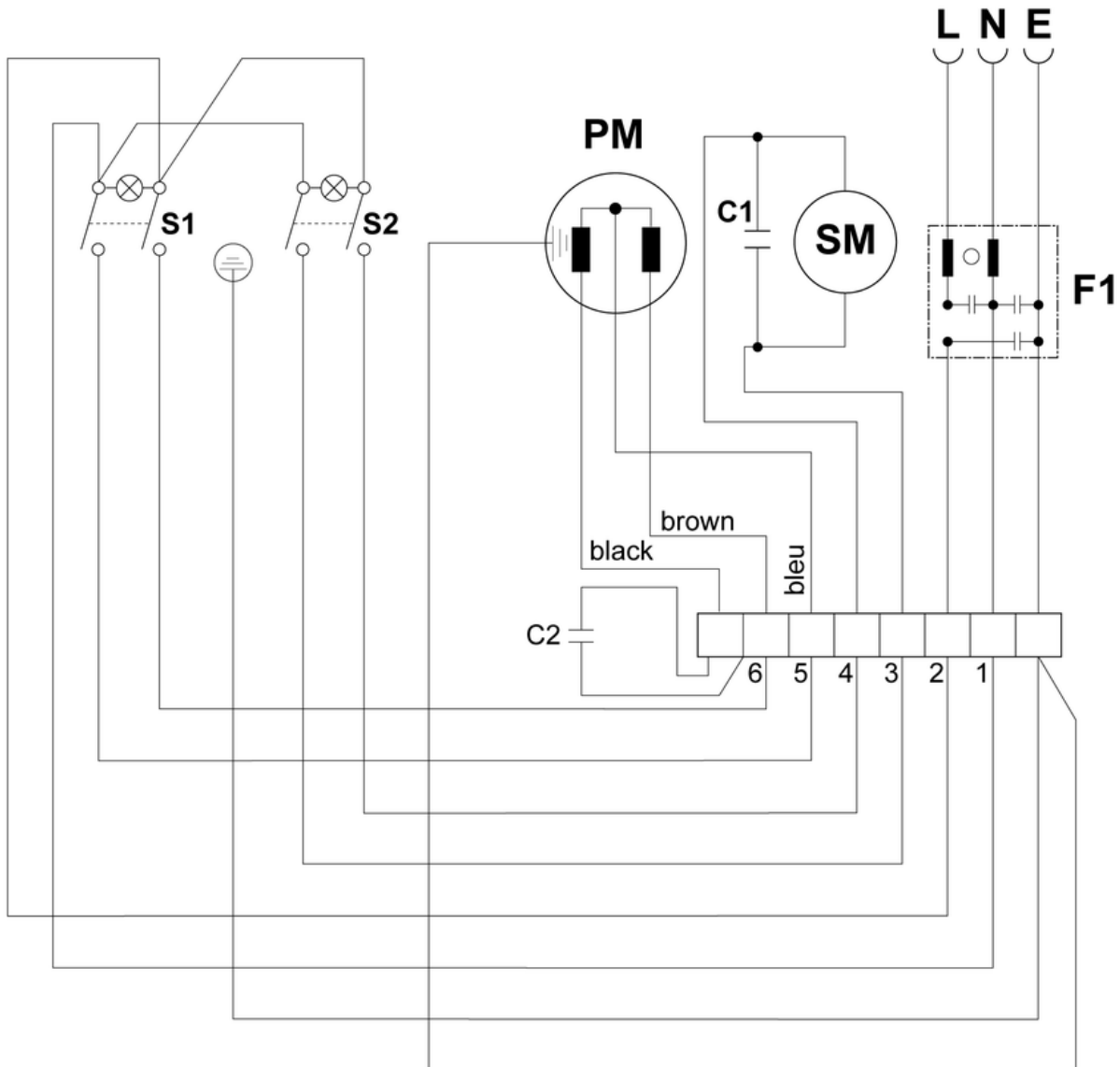
| Pos. | Item no. | Spare part |
|------|----------|---|
| 17 | P681 | Lever valve with nozzle cpl. |
| 18 | P681A | Valve unit with nozzle |
| 19 | P501B | Coupling nipple 1/4 , large brass |
| 20 | P681C | Valve lever |
| 21 | P681K | Cylindrical pin 1,5/14,5 |
| 22 | P681F | O-Ring ID5,23/2,62 NBR |
| 23 | P681D | Valve pin compl. |
| 24 | P681E | Valve spring |
| 25 | P497G | Washer DIN 125 A M5 5,3/10/1 A2 |
| 26 | P681G | O-Ring ID5/2 NBR |
| 27 | P681B | Union nut |
| 28 | 125.400 | Spray and suction hose HP (high pressure), 4m |
| 29 | P560C | Sleeve end connector black |
| 31 | 4011745 | End Socket |
| 32 | 125.410 | Spray hose HD cpl., 3.9m |
| 33 | P500C | Quick coupling LW 8 |
| 34 | P551Q | Hose clamp 018.5-706R |
| 35 | 124.400B | Tuyau de pulvérisation ø12 / 6 x 3,8m |
| 36 | P501C | Plug nipple large brass |
| 37 | P424 | Cable tie black 4.8 x 300mm |
| 38 | 6505477 | Click ring ø38mm |
| 39 | 6505476 | Screw ring |

CLEANFIX TW 1200

Wiring diagram

PDF created on: 16.07.2024 12:36

B10- 07.2023



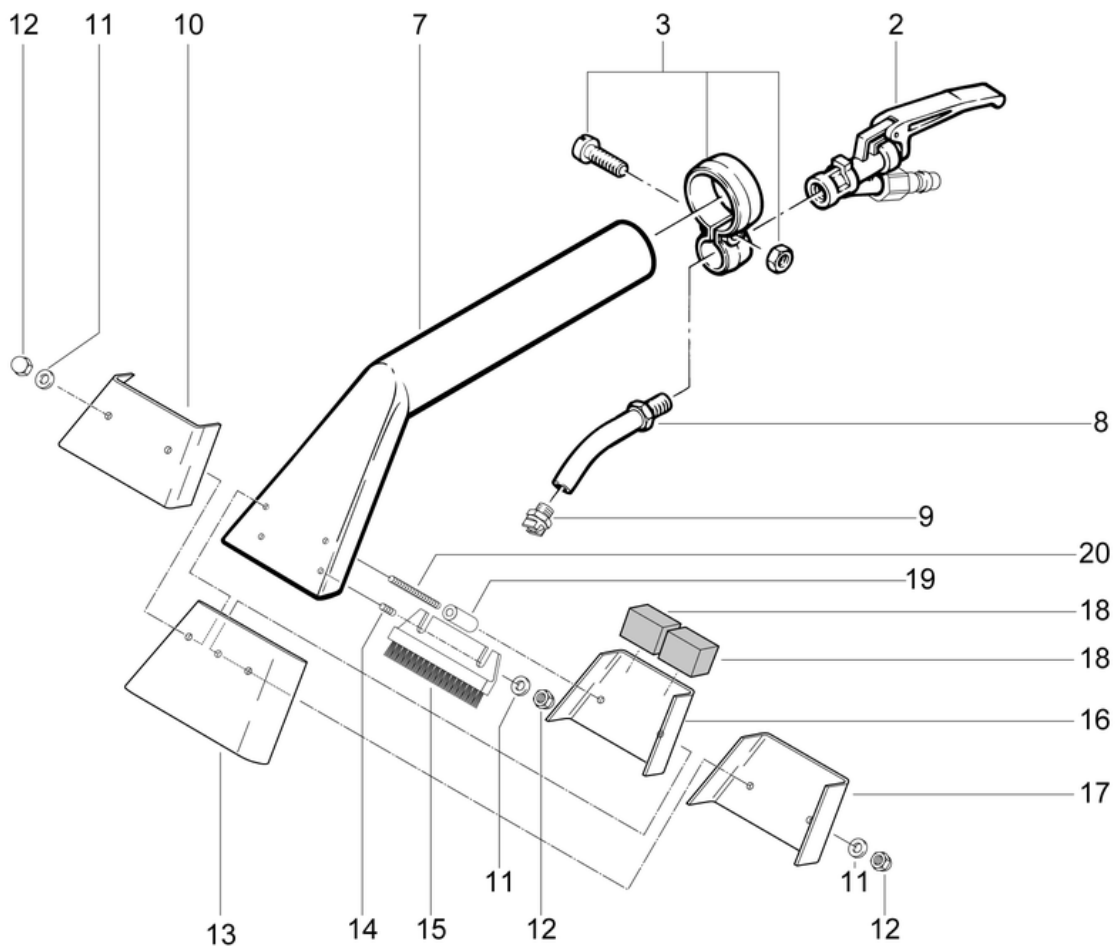
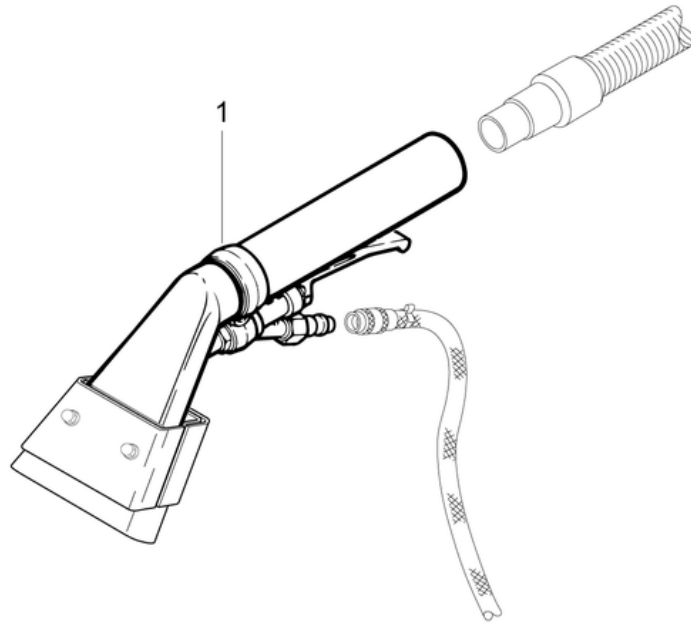
- S1 = Schalter-Pumpenmotor / Interrupteur pour pompe / Main switch
- S2 = Schalter-Saugmotor / Interrupteur pour moteur d'aspiration /
Main switch for vacuum motor
- PM = Pumpenmotor / Pompe / Pump
- SM = Saugmotor / Moteur d'aspiration / Suction motor
- C1 = Entstörkondensator / Condensateur antiparasite / Suppressor capacitor
- F1 = 1-Phasenfilter / Filtre / System filter
- C2 = Betriebskondensator / Condensateur de service/ Operating capacitor

CLEANFIX TW 1200

Spray nozzle for walls 9cm

PDF created on: 16.07.2024 12:36

B11- 07.2023



CLEANFIX TW 1200

Spray nozzle for walls 9cm

PDF created on: 16.07.2024 12:36

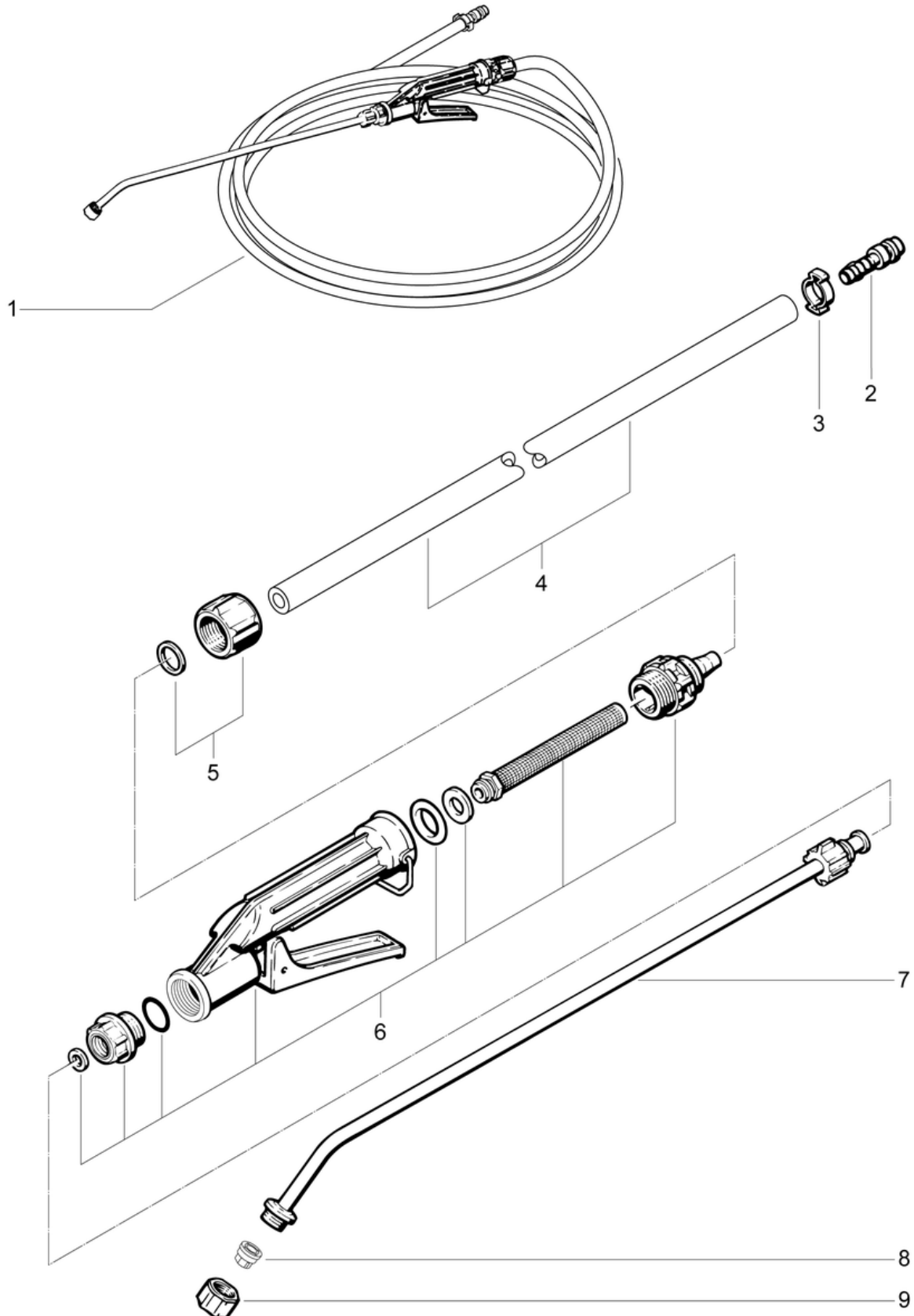
| Pos. | Item no. | Spare part |
|-------------|-----------------|---------------------------------|
| 1 | 622.000 | Wall and ceiling tool, 9cm |
| 2 | P680 | Lever valve cpl. with core hole |
| 3 | P683 | Adapter pipe clamp cpl. |
| 7 | 622.100 | Nozzle housing |
| 8 | P628 | Jet pipe for Alu hand adapter |
| 9 | P629 | Spray nozzle 11002 |
| 10 | 622.102 | Sheet metal clamp front |
| 11 | P497D | Shim DIN 125 A M4 4,3/9/0,8 Ms |
| 12 | P495C | Nut M 4 |
| 13 | 622.104 | Rubber cover for wall washer |
| 14 | P483D | Threaded pin M4 x 10 black |
| 15 | 622.636 | Brush for wall washer 9cm |
| 16 | 622.101 | Splash protection |
| 17 | 622.103 | Sheet metal clamp behind |
| 18 | 622.107 | Distance piece 30x20x20 |
| 19 | 622.106 | Distance ring 8/4x16 |
| 20 | 622.105B | Thread pin M4 x 55 |

CLEANFIX TW 1200

Pre-spray lance with hose 10m

PDF created on: 16.07.2024 12:36

B12- 07.2023



CLEANFIX TW 1200

Pre-spray lance with hose 10m

PDF created on: 16.07.2024 12:36

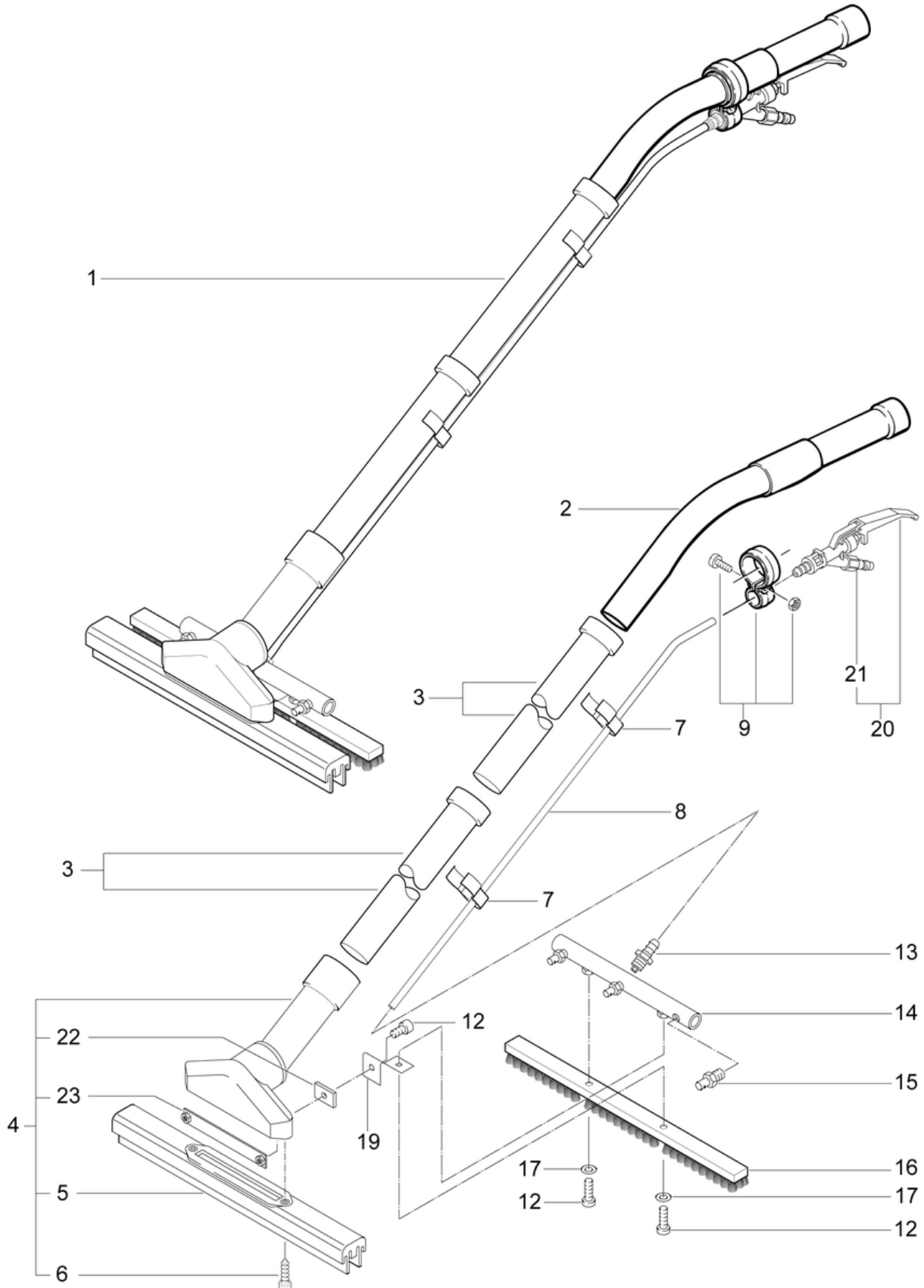
| Pos. | Item no. | Spare part |
|-------------|-----------------|--|
| 1 | 660.000 | Pre-spray lance with 10m hose |
| 2 | P501C | Plug nipple large brass |
| 3 | P550C | Hose clamp 17.0-706R |
| 4 | 110.560C | Sold by the meter, pressure hose HD LW 8 / 4mm |
| 5 | 660.130 | Union nut/spray lance |
| 6 | 660.110 | Spraying valve |
| 7 | 660.120 | Spray nozzle 60cm curved |
| 8 | P640B | Spray nozzle prespraying lance |
| 9 | P602D | Union nut 3/8 |

CLEANFIX TW 1200

Hard floor attachment

PDF created on: 16.07.2024 12:36

B13- 07.2023



CLEANFIX TW 1200

Hard floor attachment

PDF created on: 16.07.2024 12:36

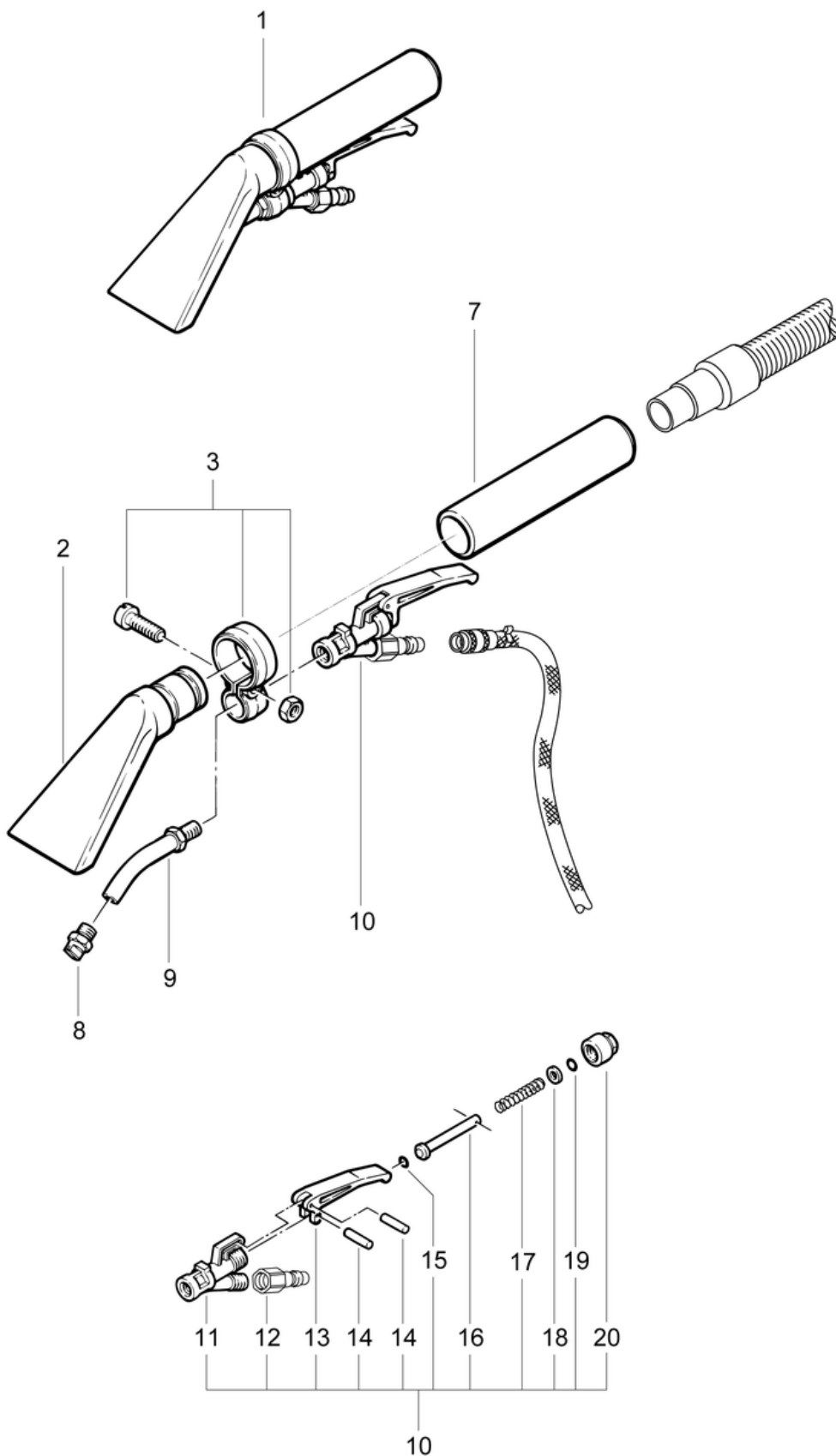
| Pos. | Item no. | Spare part |
|------|----------|-------------------------------------|
| 1 | 632.000 | Hard floor adapter, 37cm, Ø 32mm |
| 2 | P581D | Hand tube, inox |
| 3 | 645.002A | Inox tube |
| 4 | 632.001 | Suction nozzle |
| 5 | P633 | Spare rubber for hard floor adapter |
| 6 | P483O | Screw DIN 7981 TX25 C 4,8 x 19 A2 |
| 7 | P568 | Hose clip var. |
| 8 | 632.003 | Hose ø12/6 x 1,23m |
| 9 | P683 | Adapter pipe clamp cpl. |
| 12 | P488P | Screw DIN 912 M6 x 16 A2 |
| 13 | P524R | RS valve nipple |
| 14 | P631 | Jet pipe |
| 15 | P640A | Spray nozzle K .75-1/8 |
| 16 | P636 | Brush strip |
| 17 | P497K | Washer DIN 125 A M6 6,4/12/1,6 A2 |
| 19 | 632.006 | Holder |
| 20 | P684 | Lever valve with hose bush |
| 21 | P501B | Coupling nipple 1/4 , large brass |
| 22 | 632.005 | underlay |
| 23 | 632.002 | retaining plate |

CLEANFIX TW 1200

Upholstery tool

PDF created on: 16.07.2024 12:36

B14- 07.2023



CLEANFIX TW 1200

Upholstery tool

PDF created on: 16.07.2024 12:36

| Pos. | Item no. | Spare part |
|-------------|-----------------|--|
| 1 | 617.000 | Upholstery tool 8cm, PVC, anthracite, with nozzle inside |
| 2 | 617.623 | Upholstery adapter 8cm anthracite gray, cpl. processed |
| 3 | P683 | Adapter pipe clamp cpl. |
| 7 | 617.624 | Anthracite gray tube |
| 8 | P627 | Flat jet nozzle |
| 9 | 617.625 | Nozzle pipe |
| 10 | P680 | Lever valve cpl. with core hole |
| 11 | P680A | Valve unit with 1/8 thread |
| 12 | P501B | Coupling nipple 1/4 , large brass |
| 13 | P681C | Valve lever |
| 14 | P681K | Cylindrical pin 1,5/14,5 |
| 15 | P681F | O-Ring ID5,23/2,62 NBR |
| 16 | P681D | Valve pin compl. |
| 17 | P681E | Valve spring |
| 18 | P497G | Washer DIN 125 A M5 5,3/10/1 A2 |
| 19 | P681G | O-Ring ID5/2 NBR |
| 20 | P681B | Union nut |