

TW1240

Contents

PDF created on: 27.07.2024 22:26



TW 1240

Schmutz- und Frischwassertank
 Recipient d'eau sale et Recipient d'eau propre
 Waste water tank and Clean water tank

B 1 / ST 1

Frischwassertank
 Recipient d'eau propre
 Clean water tank

B 3 / ST 3

Saugmotor
 Moteur d'aspiration
 Vacuum motor

B 4 / ST 4

Einbau Pumpe
 Montage de la pompe
 Pump assembling

B 5 / ST 5

Pumpe
 Pompe
 Pump

B 5a / ST 5a

Netzzuleitung
 Cable d'alimentation
 Electrical connection

B 6 / ST 6

Chassis und Laufrad
 Chassis et Roue
 Chassis and Wheel

B 2 / ST 2

Netzzuleitung
 Cable d'alimentation
 Electrical connection

B 6 / ST 6

Teppichadapter
 Adapteur tapis
 Carpet tool

B 7 / ST 7

Saug-Sprühschlauch
 Tuyau d'asp. et pression
 Spray and suction hose

B 8 / ST 8

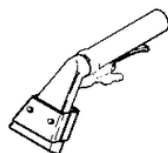
Stromlaufplan
 Diagramme électrique
 Wiring diagram

B 9 / ST 9

Sonderzubehör / Accessoires

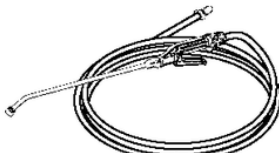
Wand- und
 Deckendüse
 Suceur inj/
 extr. Parois
 Spray nozzle
 for walls

B 10 / ST 10



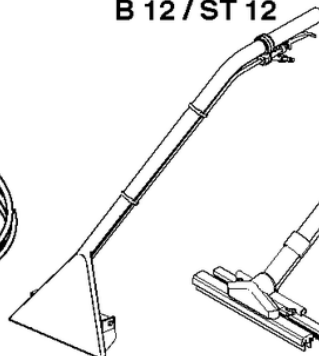
Vorsprühlanze
 mit Schlauch
 Lance d'inject.
 avec tuyau
 Spray nozzle
 with hose

B 11 / ST 11



Teppichadapter 4 Düsen
 Adapteur tapis, 4-gicleur
 Carpet adaptor, 4-nozzles

B 12 / ST 12



Hartbodenadapter
 Adapteur pour les sols durs
 Hard floor attachment

B 13 / ST 13

Polsteradapter
 Adapteur pour
 ameublements
 Upholstery tool

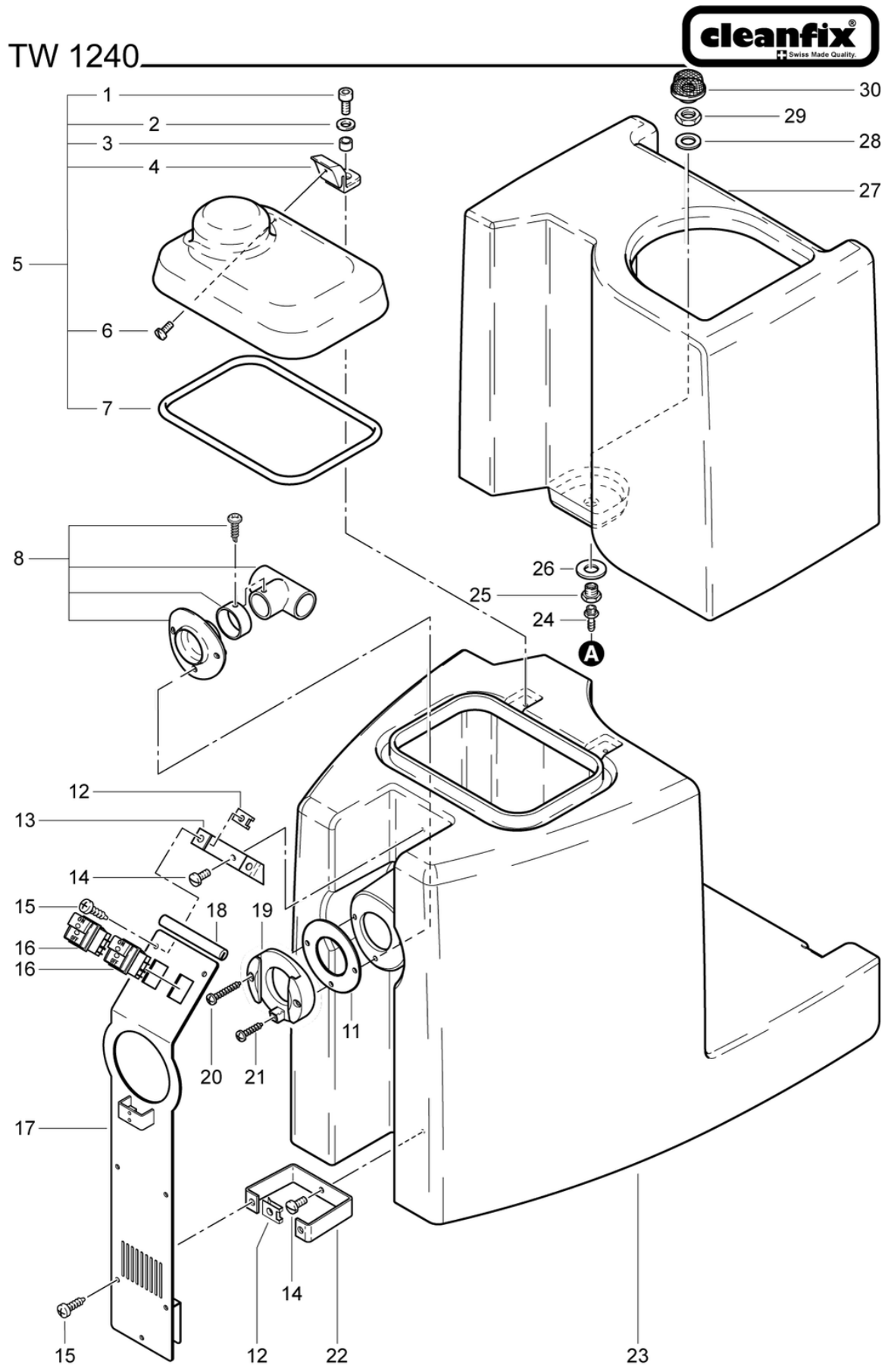
B 14 / ST 14



TW1240

Waste water tank and Clean water tank

PDF created on: 27.07.2024 22:26



TW1240

Waste water tank and Clean water tank

PDF created on: 27.07.2024 22:26

Pos.	Item no.	Spare part
1	P488B	Screw DIN 912 M5 x 12 A2
2	P497K	Washer DIN 125 A M6 6,4/12/1,6 A2
3	430.618	Distance ring \varnothing 7/5 x 5,5
4	710.122	Rubber Hinge
5	124.350	Hood cpl.
6	P4800	Screw DIN 965 M4 x 8 A2
7	124.315	Cover Seal
8	124.321	Seal
11	649012512	Seal
12	P494E	Nut 4.2 / 3 - 3.9 St vz
13	124.311	Upper fixation
14	P476P	Screw DIN 7985 M6 x 12
15	P482B	Screw DIN 7981 C 4,8 x 19 black
16	P240	Rocker switch orange 230V
17	125.104	Covering plate
18	P340D	Seal for panel 0,1m
19	4012234	Anthracite gray tub connection
20	P515N	Screw WN 1452 K50 x 35
21	P515M	Screw DIN 7982 4,8 x 22
22	124.312	Holder
23	124.301	Waste water tank red
24	P540F	Straight nipple GES NW6 R 1/4
25	P535F	Hollow nipple 3/8 - 1/4 x 18 Ms
26	P098	Clamping shim \varnothing 35mm
27	124.201B	Clean water tank red
28	P097	Sealing shim 30/17/2 PE
29	P535B	Nut 3/8 Ms
30	P106	Fresh water filter ND

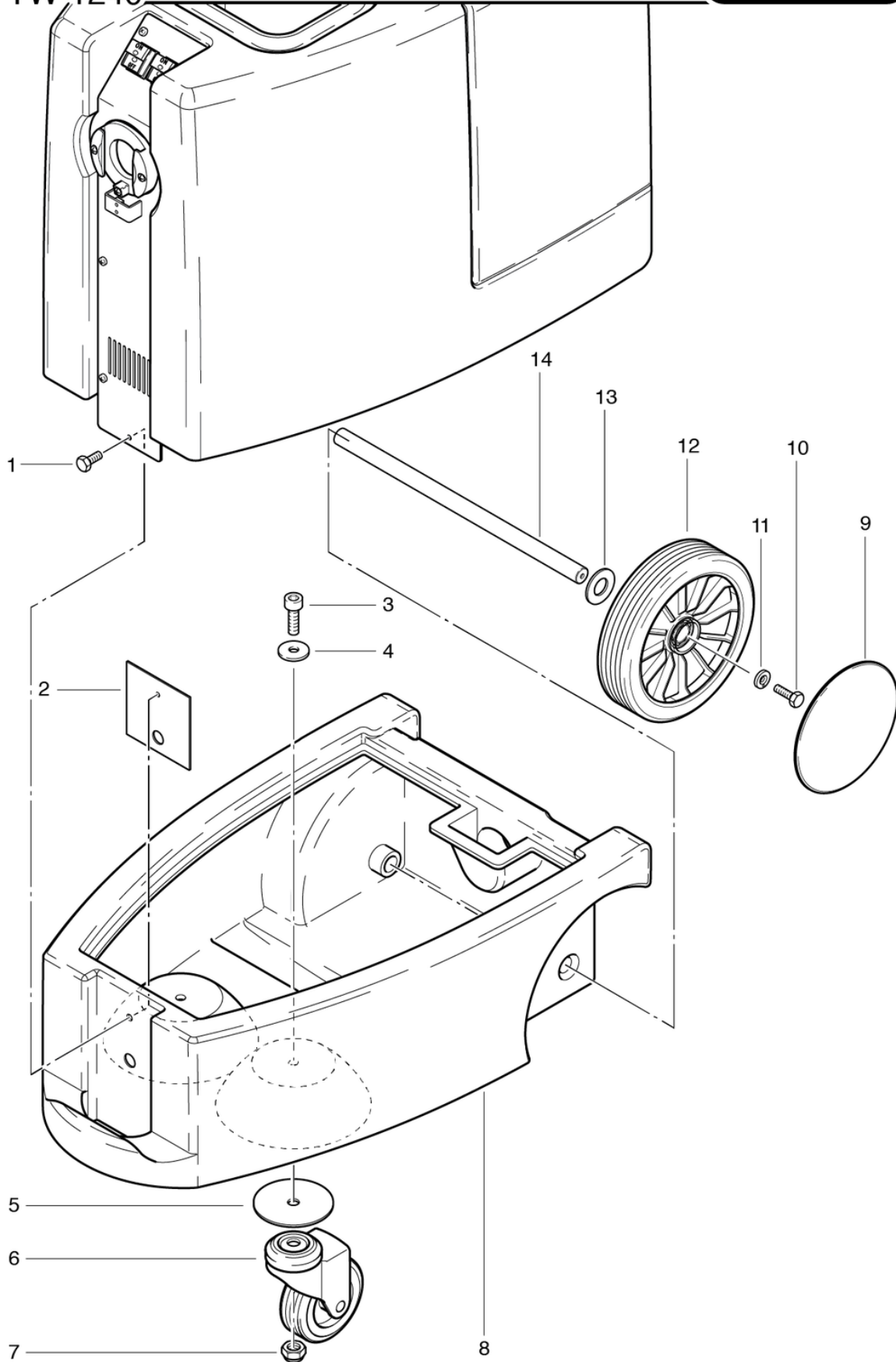
TW1240

Chassis and Wheel

PDF created on: 27.07.2024 22:26



TW 1240



TW1240

Chassis and Wheel

PDF created on: 27.07.2024 22:26

Pos.	Item no.	Spare part
1	P472T	Screw DIN 933 M6 x 20 A2
2	124.111	Plate for closure
3	P487N	Screw DIN 912 M10 x 45 with shaft
4	P496S	Washer DIN 9021 M10 10,5/30/2,5 A2
5	124.103	Reinforcement shim
6	530.225	Castor 100mm
7	P492Q	Nut DIN 985 M10
8	124.101	Chassis
9	530.242	Wheel Cover Red
10	P472R	Screw DIN 933 M6 x 12 A2
11	P510L	Washer DIN 522 M6 6,4/25/1,5 A2
12	530.240	wheel ø226 x 53 including bearings
13	P499WW	Shim DIN 988 20/32/0,5
14	124.102	Wheel axle ø20 x 395mm

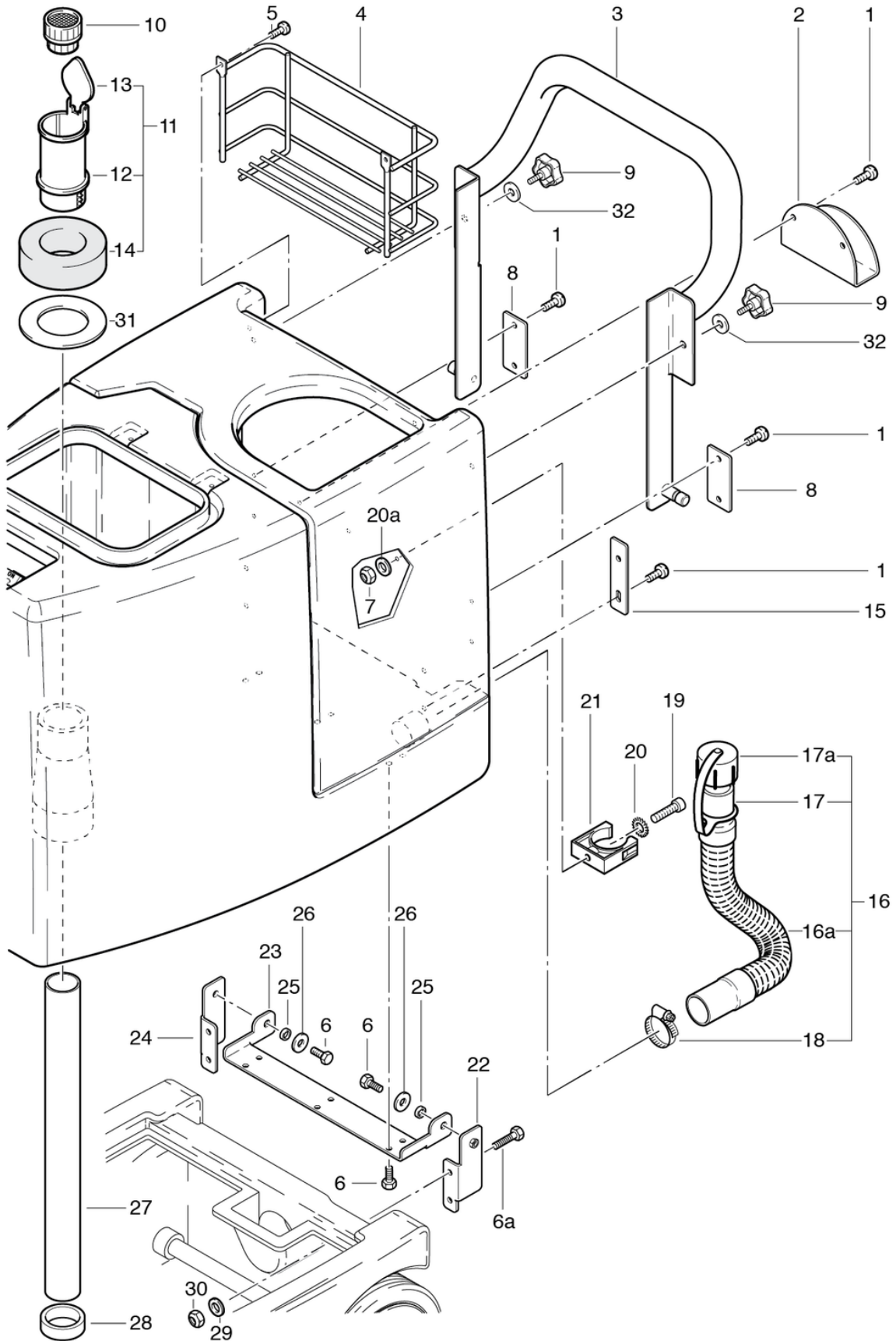
TW1240

Clean water tank

PDF created on: 27.07.2024 22:26



TW 1240



TW1240

Clean water tank

PDF created on: 27.07.2024 22:26

Pos.	Item no.	Spare part
1	P476P	Screw DIN 7985 M6 x 12
2	124.205	Cable support
3	124.202	Handle compl.
4	124.204	Basket for material
5	P481P	Screw DIN 7985 M4 x 8
6a	P472U	Screw DIN 933 M6 x 25 A2
6	P472R	Screw DIN 933 M6 x 12 A2
8	124.207	Support
9	124.208	Star handle ø32 M6 x 20
10	P071	Suction pipe screen
11	124.306	Float cpl.
12	P074B	Float tube
13	P076D	Cover of the float
14	124.318	Body for float
15	124.206	Connecting piece
16a	420.741	Drain Hose RA430B
16	420.740	Drain hose cpl.
17a	432.110	Cover for Execution
17	500.409A	Hose sleeve 45 x 25 x 80mm
18	P553R	Hose clamp 039.6-706R
19	P588K	Cyl. socket screw M 5x25
20	P498D	Washer DIN 6798 M5 5,1/9/0,5 A2
21	P109A	Hose holder anthracite
22	124.309	Left hinge
23	124.307	Lower part of hinge
24	124.310	Right hinge
25	124.308	Distance ring ø8/6 x 4
26	P497H	Washer DIN 9021 M6 6,4/18/1,6 A2
27	124.316	Suction tube
28	124.305	Guide sleeve
29	P496K	Shim DIN 125 A M6 6,4/12/1,6
30	P493K	Nut DIN 985 M6
31	125.305	Float support

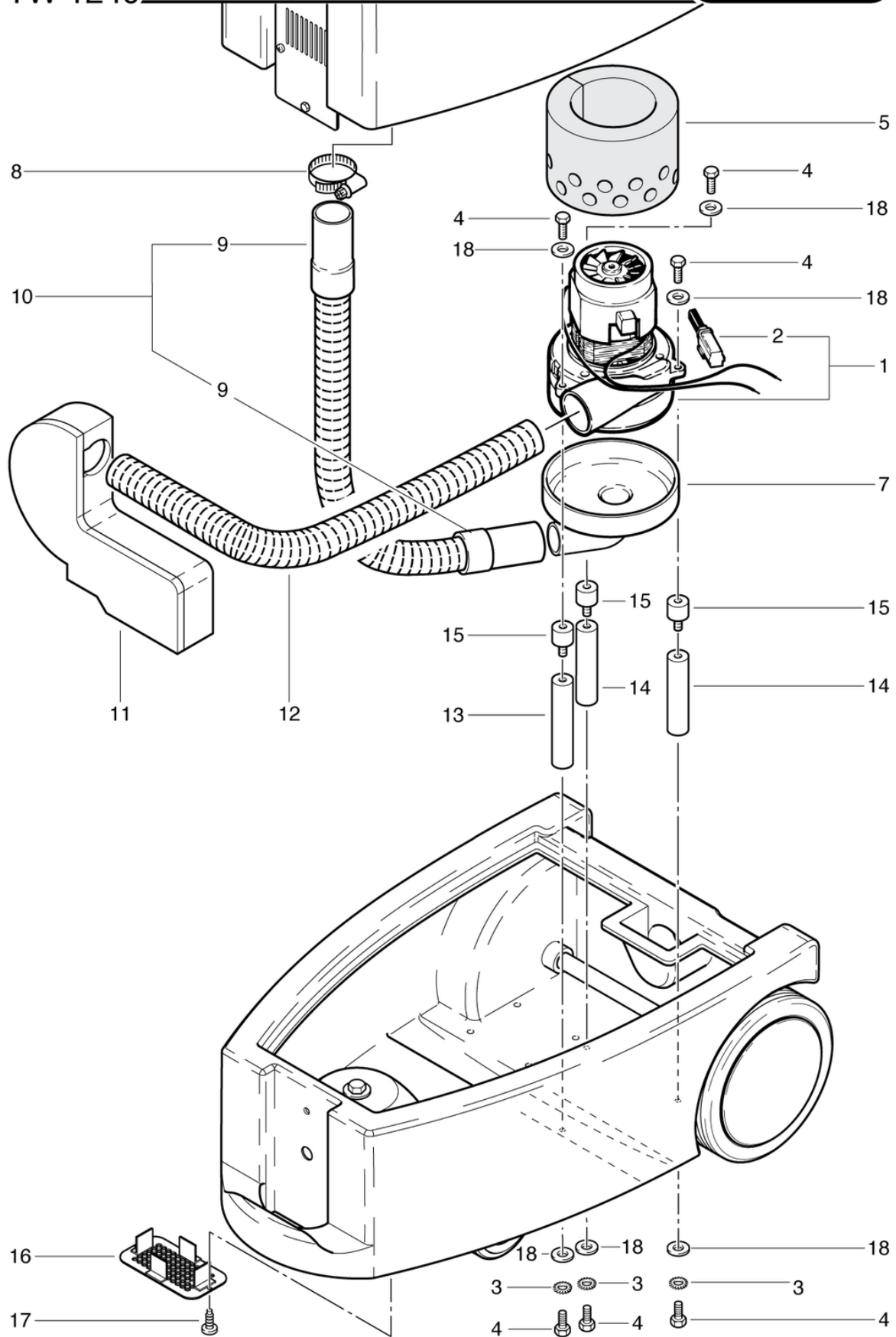
TW1240

Vacuum motor

PDF created on: 27.07.2024 22:26



TW 1240



TW1240

Vacuum motor

PDF created on: 27.07.2024 22:26

Pos.	Item no.	Spare part
1	124.150	Vac Motor TW1250
2	124.150KB	Coals brushes
3	P499D	Shim DIN 6798 M6 6,4/11/0,7 A2
4	P472R	Screw DIN 933 M6 x 12 A2
5	530.737	Sound Damping
7	470.490	Hose Connection Cap
8	P206D	Hose clamp 32-50mm/12
9	124.115	Connecting sleeve shortened
10	124.109	Suction hose L = 0.9m cpl.
11	124.112	Sound insulation duct
12	124.110	Exhaust hose L = 0.6m
13	124.104	Distance spacer 101mm
14	124.105	Distance piece \varnothing 18 x 93mm
15	500.499	Round Buffer M6 x 8,5, \varnothing 20 x 15 mm
16	124.116	Covering piece
17	P516S	Screw WN 1452 K30 x 14
18	P497H	Washer DIN 9021 M6 6,4/18/1,6 A2

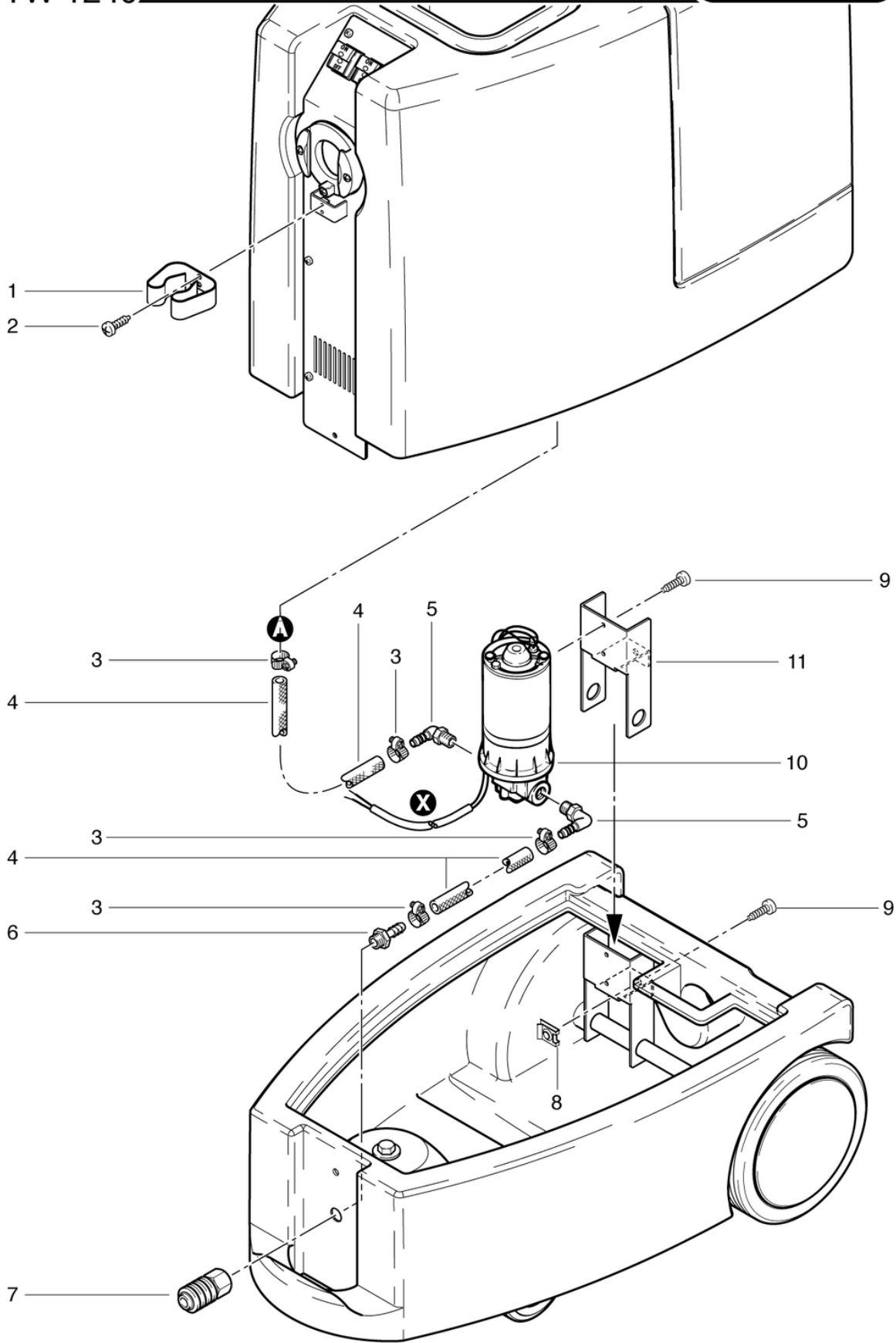
TW1240

Pump assembling

PDF created on: 27.07.2024 22:26



TW 1240



TW1240

Pump assembling

PDF created on: 27.07.2024 22:26

Pos.	Item no.	Spare part
1	124.314	Spring clip
2	P475D	Pan head screw M 4x8
3	P550A	Hose clamp 14.5-706R
4	124.108	Hose \varnothing 12 / 6 x 0.7m
5	P541M	Elbow nipple WES 8 / R3 / 8
6	P524F	Hose nipple NW8 - 1/4 AG Ms
7	P500A	Plug-in coupling 1/4 IT, large brass
9	P482B	Screw DIN 7981 C 4,8 x 19 black
10	P821B	Flojet-Pump 230V with filter
11	124.106	Pump holder

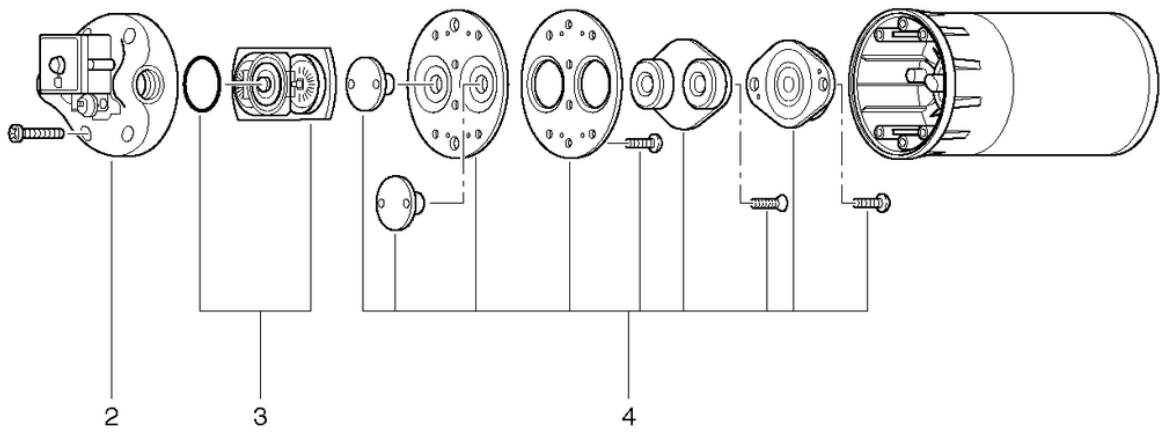
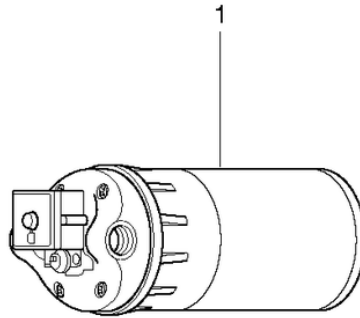
TW1240

Pump

PDF created on: 27.07.2024 22:26



TW 1240



TW1240

Pump

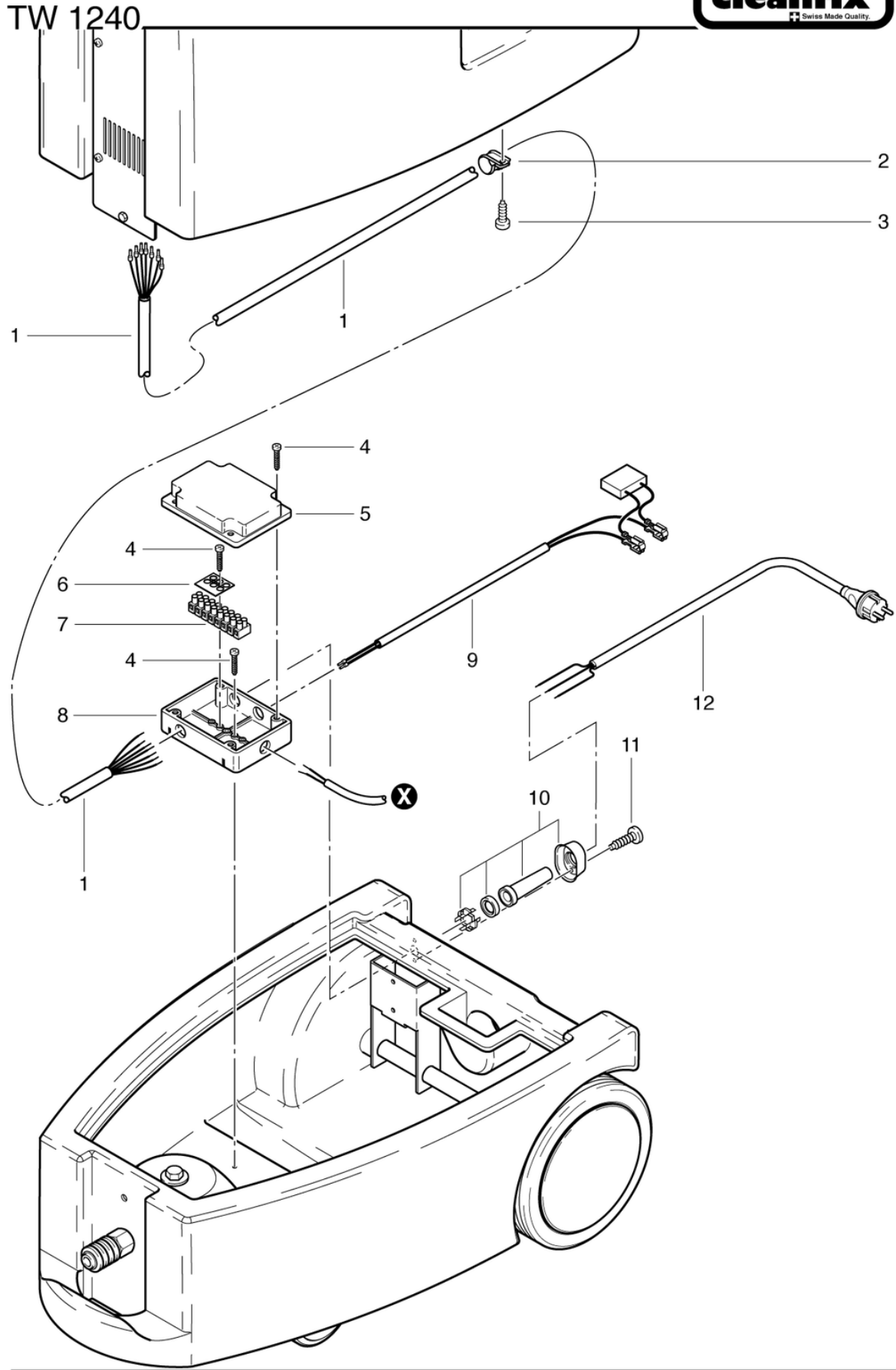
PDF created on: 27.07.2024 22:26

Pos.	Item no.	Spare part
1	P821B	Flojet-Pump 230V with filter
2	P821C	Flojet-Pumpe 230V
3	P821D	Valve Set, Flojet Pump 230V with filter
4	P821E	Cam aperture rateSet, Flojet Pump 230V with filter

TW1240

Electrical connection

PDF created on: 27.07.2024 22:26



TW1240

Electrical connection

PDF created on: 27.07.2024 22:26

Pos.	Item no.	Spare part
1	124.303	Cable harness switch
2	125.111	Cable tie holder
3	P476P	Screw DIN 7985 M6 x 12
4	P516S	Screw WN 1452 K30 x 14
5	P379A	Terminal box cover
6	P390	Marking plate
7	P383M	Screw terminal with DS, 9 P. 2.5mm
8	P379	Terminal box lower part
9	041.605	Cable harness suction motor incl. condenser
10	6605178	Cable security
11	P516O	Screw WN 1452 K40 x 25
12	124.107	Main cable SEV, 0.8m

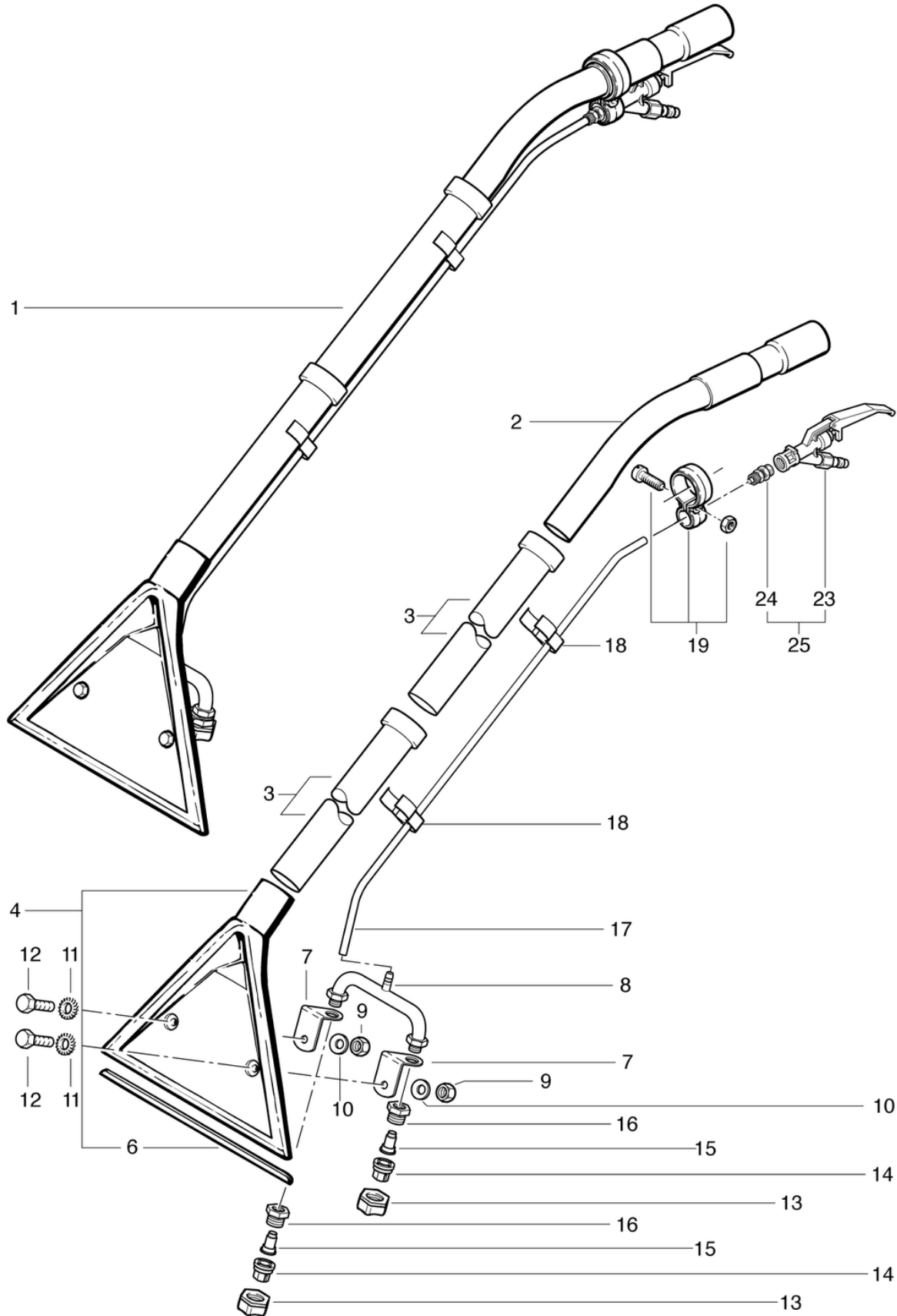
TW1240

Carpet tool

PDF created on: 27.07.2024 22:26



TW 1240



TW1240

Carpet tool

PDF created on: 27.07.2024 22:26

Pos.	Item no.	Spare part
1	602.000.1	Carpet adapter 2 jet, 26cm, with inox hand tube
2	P584	Chrome steel hand tube 38mm
3	645.002A	Inox tube
4	602.550	Suction nozzle with two nozzles
6	P617	Carpet slide rail L=248mm
7	602.611F	mounting bracket for jet ass.
8	602.110	2-nozzle pipe bracket
9	P491E	Nut DIN 934 M6 A2
10	P499H	Shim SN 212745 M6 6,4/14/1,15 A2
11	P499D	Shim DIN 6798 M6 6,4/11/0,7 A2
12	P472D	Hexagon screw M6 x 20
13	P523D	Sleeved nut
14	P602M	Spray nozzle gray
15	P607E	Back pressure application
16	P535P	Threaded nipple 3/8 Ms
17	P573A	Sold by the meter, PUR spray hose ø8 / 6
18	P670	Holding clasp
19	P683	Adapter pipe clamp cpl.
23	P680	Lever valve cpl. with core hole
24	P526A	Hose connector compl.
25	P680B	Lever valve with bolting

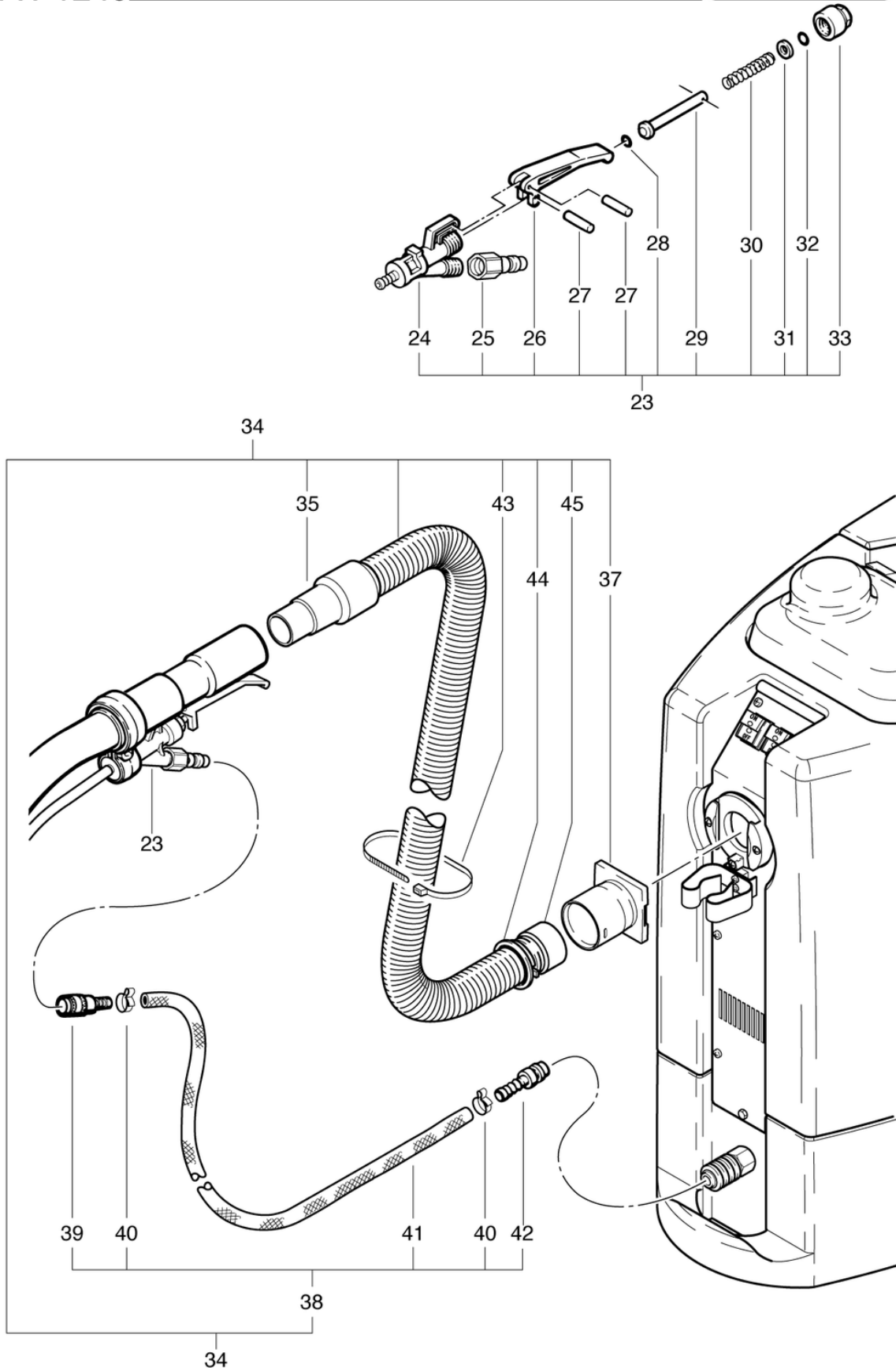
TW1240

Spray and suction hose

PDF created on: 27.07.2024 22:26



TW 1240



TW1240

Spray and suction hose

PDF created on: 27.07.2024 22:26

Pos.	Item no.	Spare part
23	P681	Lever valve with nozzle cpl.
24	P681A	Valve unit with nozzle
25	P501B	Coupling nipple 1/4 , large brass
26	P681C	Valve lever
27	P681K	Cylindrical pin 1,5/14,5
28	P681F	O-Ring ID5,23/2,62 NBR
29	P681D	Valve pin compl.
30	P681E	Valve spring
31	P497G	Washer DIN 125 A M5 5,3/10/1 A2
32	P681G	O-Ring ID5/2 NBR
33	P681B	Union nut
34	124.400	Suction spray hose ND 4m
35	P560C	Sleeve end connector black
37	4011745	End Socket
38	124.410	Spraying hose 4m, complete
39	900.165	Quick Connector TW401
40	P550I	Hose clamp 13.3-706R
41	124.400B	Tuyau de pulvérisation ø12 / 6 x 3,8m
42	P501D	Plug nipple ø12 x 46mm
43	P609	Cable tie black 4,8 x 178mm
44	6505477	Click ring ø38mm
45	6505476	Screw ring

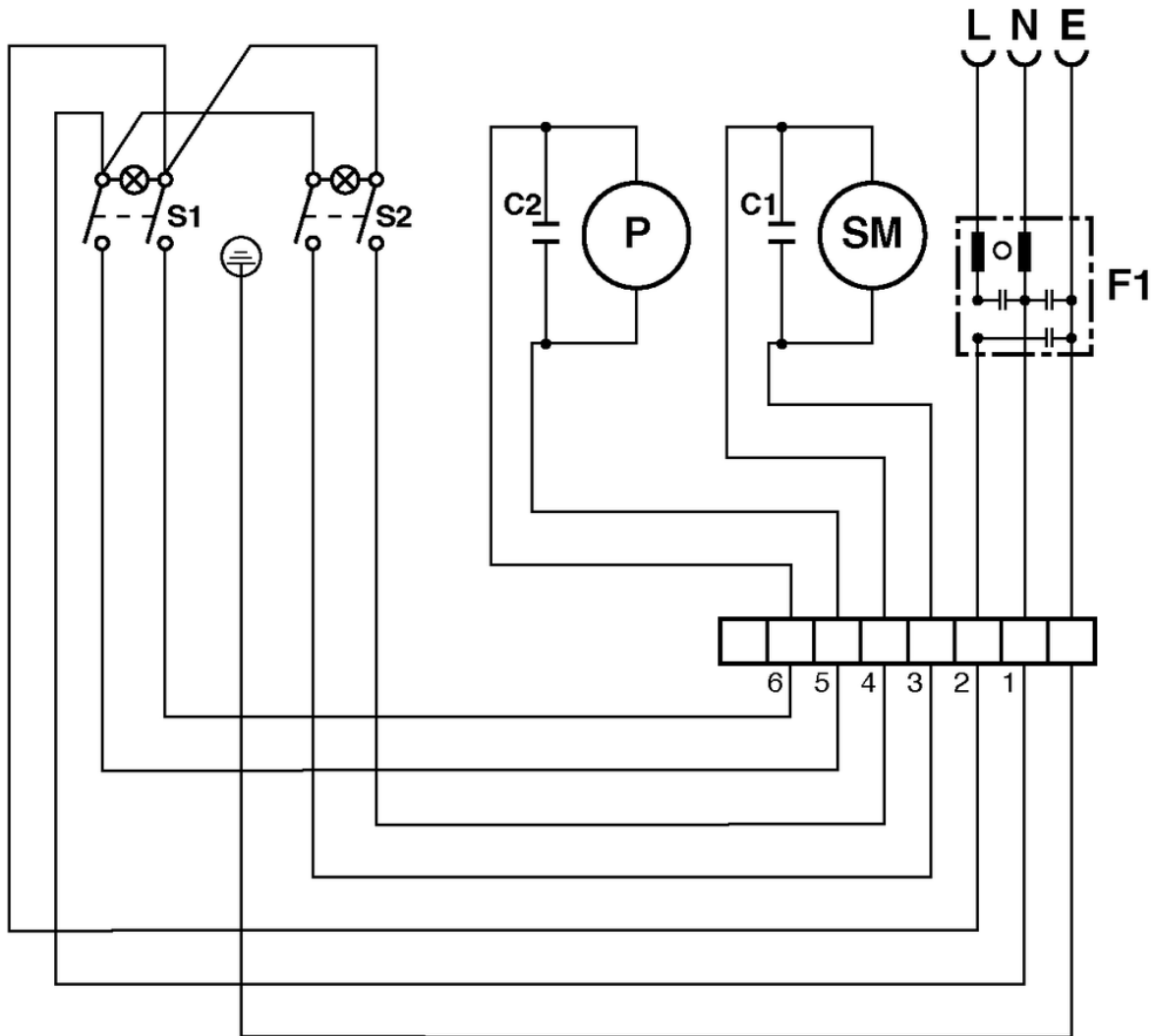
TW1240

Wiring diagram

PDF created on: 27.07.2024 22:26



TW 1240



- S1 = Schalter-Pumpenmotor / Interrupteur pour pompe / Main switch
- S2 = Schalter-Saugmotor / Interrupteur pour moteur d'aspiration / Main switch for vacuum motor
- P = Pumpenmotor / Pompe / Pump
- SM = Saugmotor / Moteur d'aspiration / Suction motor
- C1 = Entstörkondensator / Condensateur / Capacitor
- C2 = Entstörkondensator / Condensateur / Capacitor
- F1 = Netzfilter FMLB-51 / Filtre de réseau FMLB-51 / System filter FMLB-51

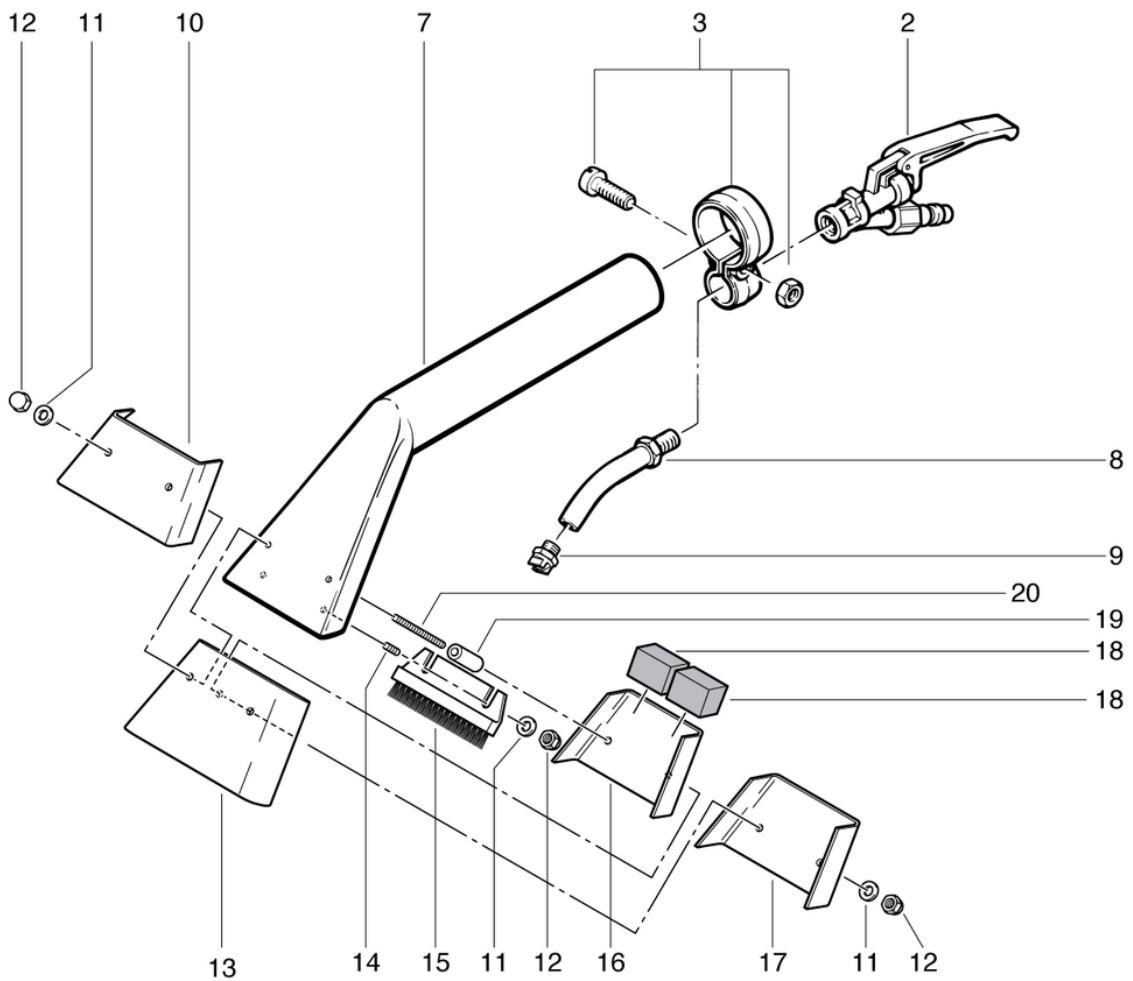
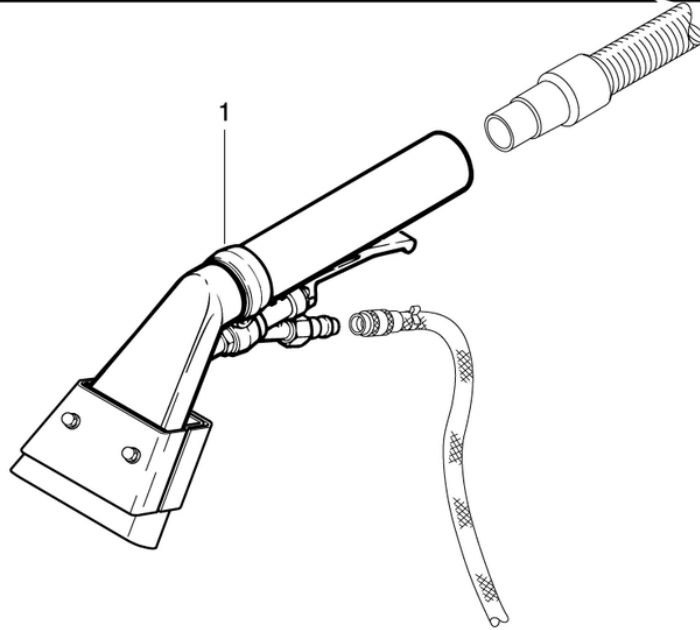
TW1240

Spray nozzle for walls

PDF created on: 27.07.2024 22:26



TW 1240



TW1240

Spray nozzle for walls

PDF created on: 27.07.2024 22:26

Pos.	Item no.	Spare part
1	622.000	Wall and ceiling tool, 9cm
2	P680	Lever valve cpl. with core hole
3	P683	Adapter pipe clamp cpl.
7	622.100	Nozzle housing
8	P628	Jet pipe for Alu hand adapter
9	P629	Spray nozzle 11002
10	622.102	Sheet metal clamp front
11	P497D	Shim DIN 125 A M4 4,3/9/0,8 Ms
12	P495C	Nut M 4
13	622.104	Rubber cover for wall washer
14	P483D	Threaded pin M4 x 10 black
15	622.636	Brush for wall washer 9cm
16	622.101	Splash protection
17	622.103	Sheet metal clamp behind
18	622.107	Distance piece 30x20x20
19	622.106	Distance ring 8/4x16
20	622.105B	Thread pin M4 x 55

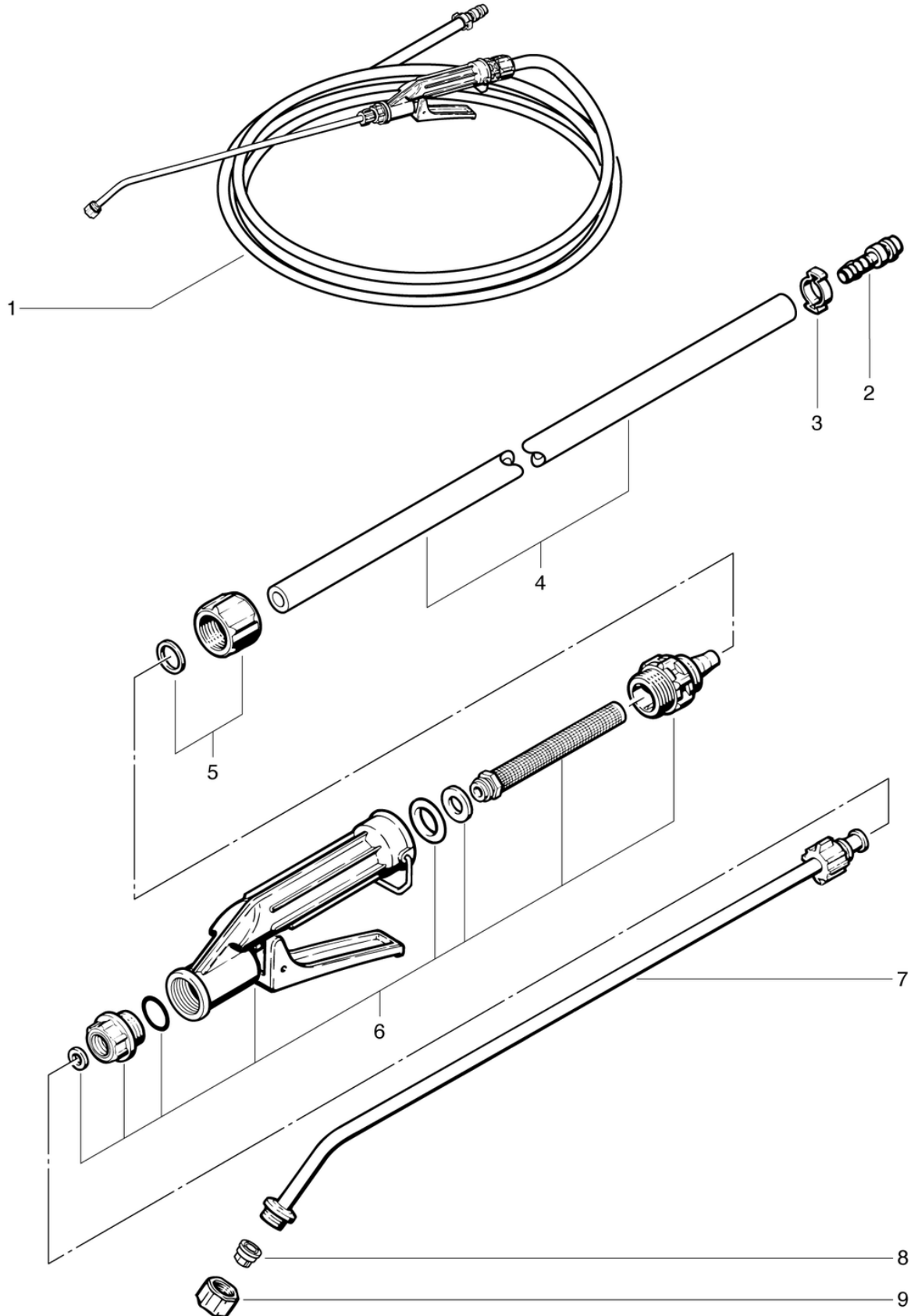
TW1240

Spray nozzle for walls

PDF created on: 27.07.2024 22:26



TW 1240/1250



TW1240

Spray nozzle for walls

PDF created on: 27.07.2024 22:26

Pos.	Item no.	Spare part
1	660.000	Pre-spray lance with 10m hose
2	P501C	Plug nipple large brass
3	P550C	Hose clamp 17.0-706R
4	110.560C	Sold by the meter, pressure hose HD LW 8 / 4mm
5	660.130	Union nut/spray lance
6	660.110	Spraying valve
7	660.120	Spray nozzle 60cm curved
8	P640B	Spray nozzle prespraying lance
9	P602D	Union nut 3/8

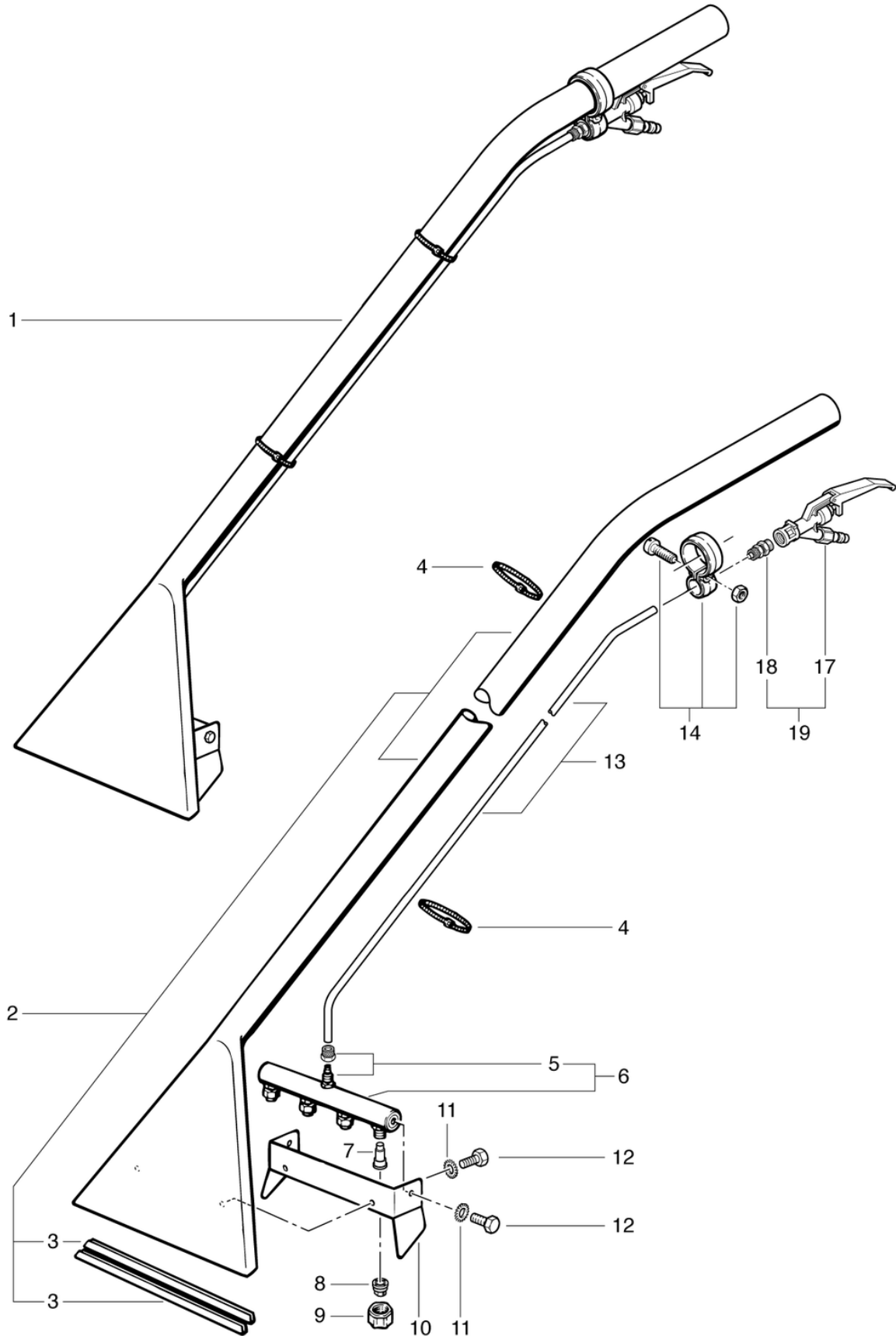
TW1240

Carpet adaptor, 4-nozzles

PDF created on: 27.07.2024 22:26



TW 1240



TW1240

Carpet adaptor, 4-nozzles

PDF created on: 27.07.2024 22:26

Pos.	Item no.	Spare part
1	610.000	Carpet Adapter 4 Jet 30cm, Alu
2	P605	Hand tube with nozzle 30cm, Alu
3	P605D	Sliding blade 275 mm
4	P609	Cable tie black 4,8 x 178mm
5	P526A	Hose connector compl.
6	P607	Manifold pipe 250
7	P607E	Back pressure application
8	P607F	Spray nozzle HD
9	P523D	Sleeved nut
10	P606	Support 300 mm
11	P499D	Shim DIN 6798 M6 6,4/11/0,7 A2
12	P472P	Screw DIN 933 M6 x 8 A2
13	P608	Flexilon - p-pipe 6/8 white
14	P683	Adapter pipe clamp cpl.
17	P680	Lever valve cpl. with core hole
19	P680B	Lever valve with bolting

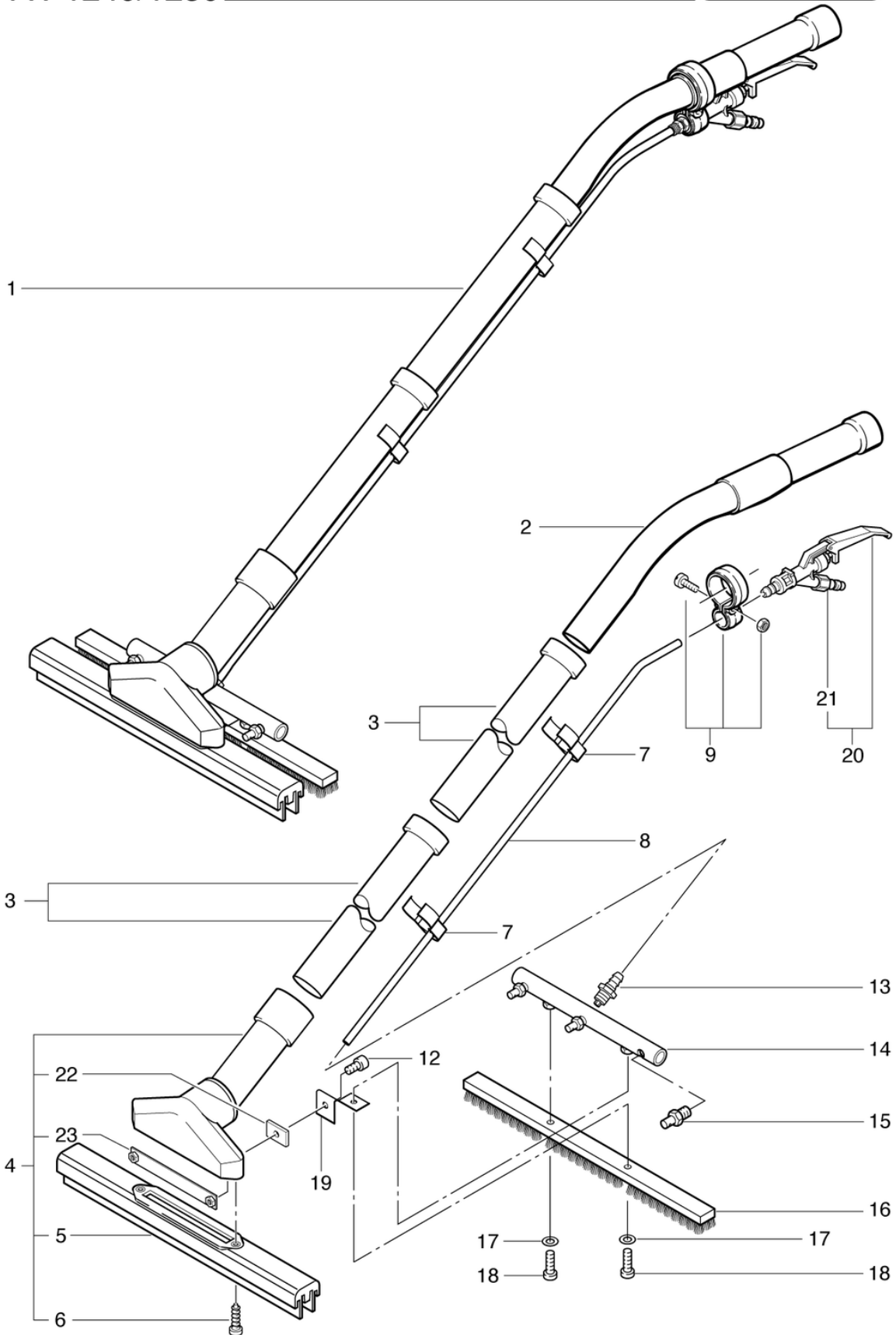
TW1240

Hard floor attachment

PDF created on: 27.07.2024 22:26



TW 1240/1250



TW1240

Hard floor attachment

PDF created on: 27.07.2024 22:26

Pos.	Item no.	Spare part
1	632.000	Hard floor adapter, 37cm, Ø 32mm
2	P581D	Hand tube, inox
3	645.002A	Inox tube
4	632.001	Suction nozzle
5	P633	Spare rubber for hard floor adapter
6	P483O	Screw DIN 7981 TX25 C 4,8 x 19 A2
7	P568	Hose clip var.
8	632.003	Hose ø12/6 x 1,23m
9	P683	Adapter pipe clamp cpl.
12	P488P	Screw DIN 912 M6 x 16 A2
13	P524R	RS valve nipple
14	P631	Jet pipe
15	P640A	Spray nozzle K .75-1/8
16	P636	Brush strip
17	P497K	Washer DIN 125 A M6 6,4/12/1,6 A2
19	632.006	Holder
20	P684	Lever valve with hose bush
21	P501B	Coupling nipple 1/4 , large brass
22	632.005	underlay
23	632.002	retaining plate

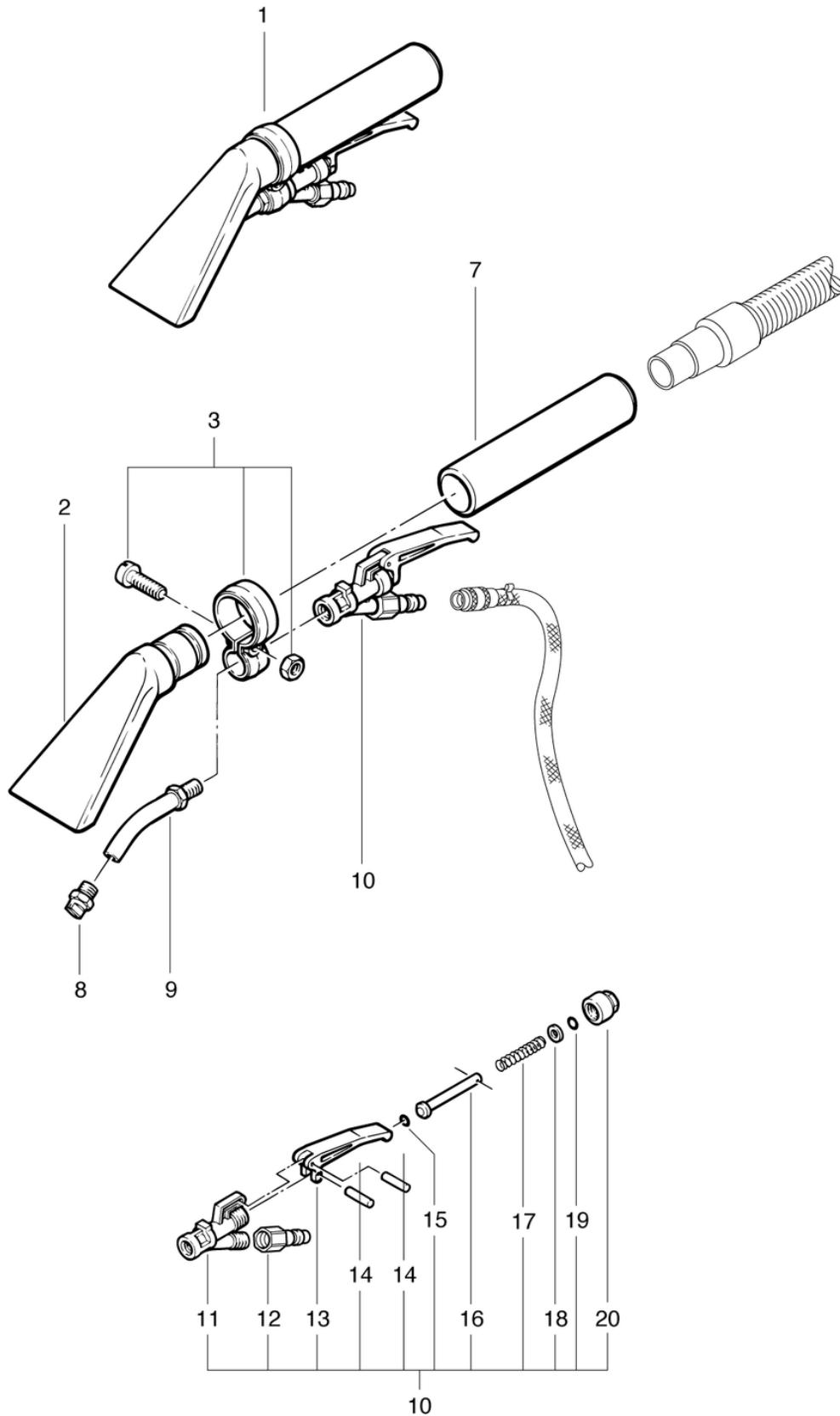
TW1240

Upholstery tool

PDF created on: 27.07.2024 22:26



TW 1240/1250



TW1240

Upholstery tool

PDF created on: 27.07.2024 22:26

Pos.	Item no.	Spare part
1	617.000	Upholstery tool 8cm, PVC, anthracite, with nozzle inside
2	617.623	Upholstery adapter 8cm anthracite gray, cpl. processed
3	P683	Adapter pipe clamp cpl.
7	617.624	Anthracite gray tube
8	P627	Flat jet nozzle
9	617.625	Nozzle pipe
10	P680	Lever valve cpl. with core hole
11	P680A	Valve unit with 1/8 thread
12	P501B	Coupling nipple 1/4 , large brass
13	P681C	Valve lever
14	P681K	Cylindrical pin 1,5/14,5
15	P681F	O-Ring ID5,23/2,62 NBR
16	P681D	Valve pin compl.
17	P681E	Valve spring
18	P497G	Washer DIN 125 A M5 5,3/10/1 A2
19	P681G	O-Ring ID5/2 NBR
20	P681B	Union nut