

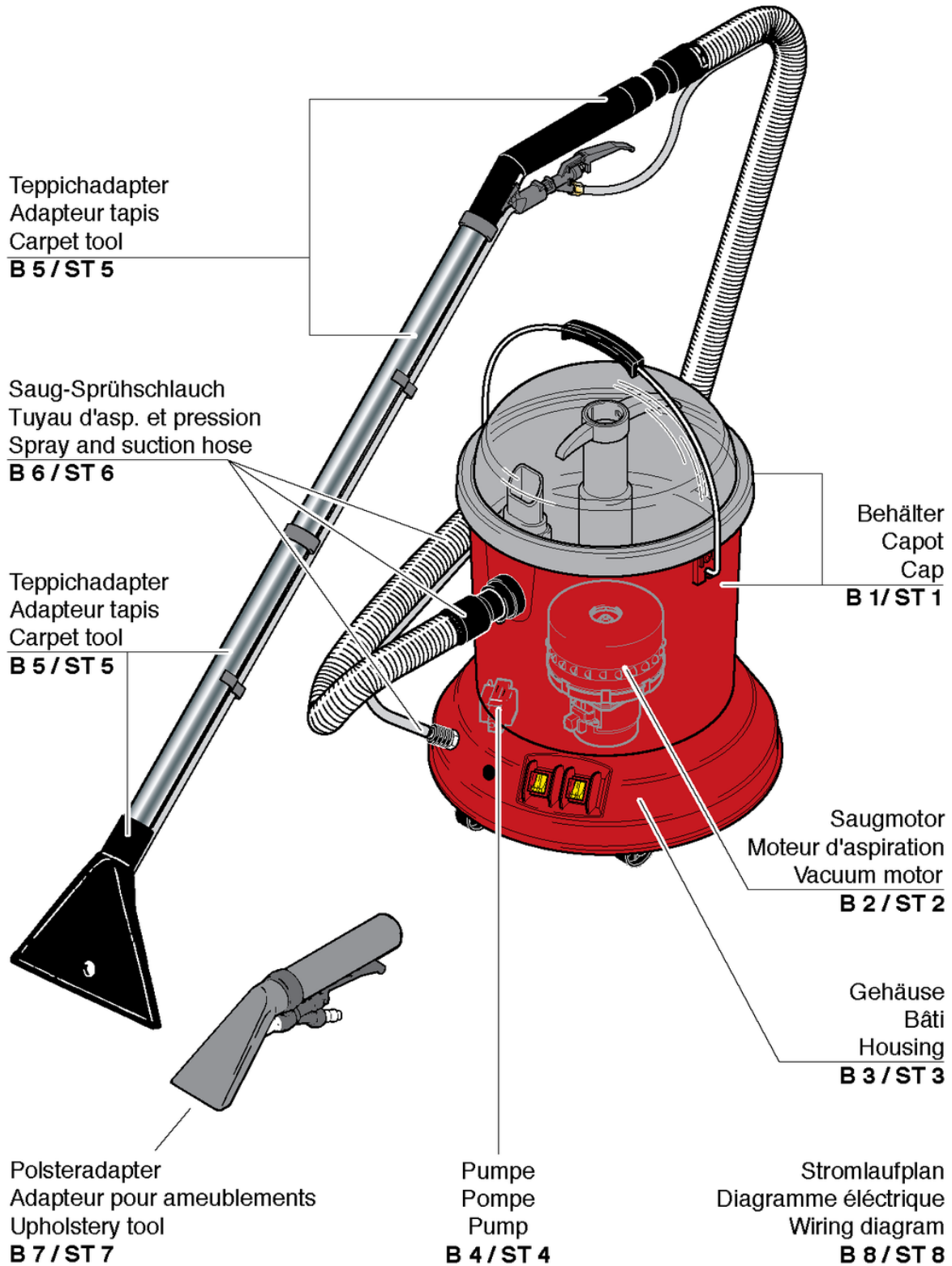
CLEANFIX TW 300 S

Contents

PDF created on: 16.07.2024 11:54



TW 300 S



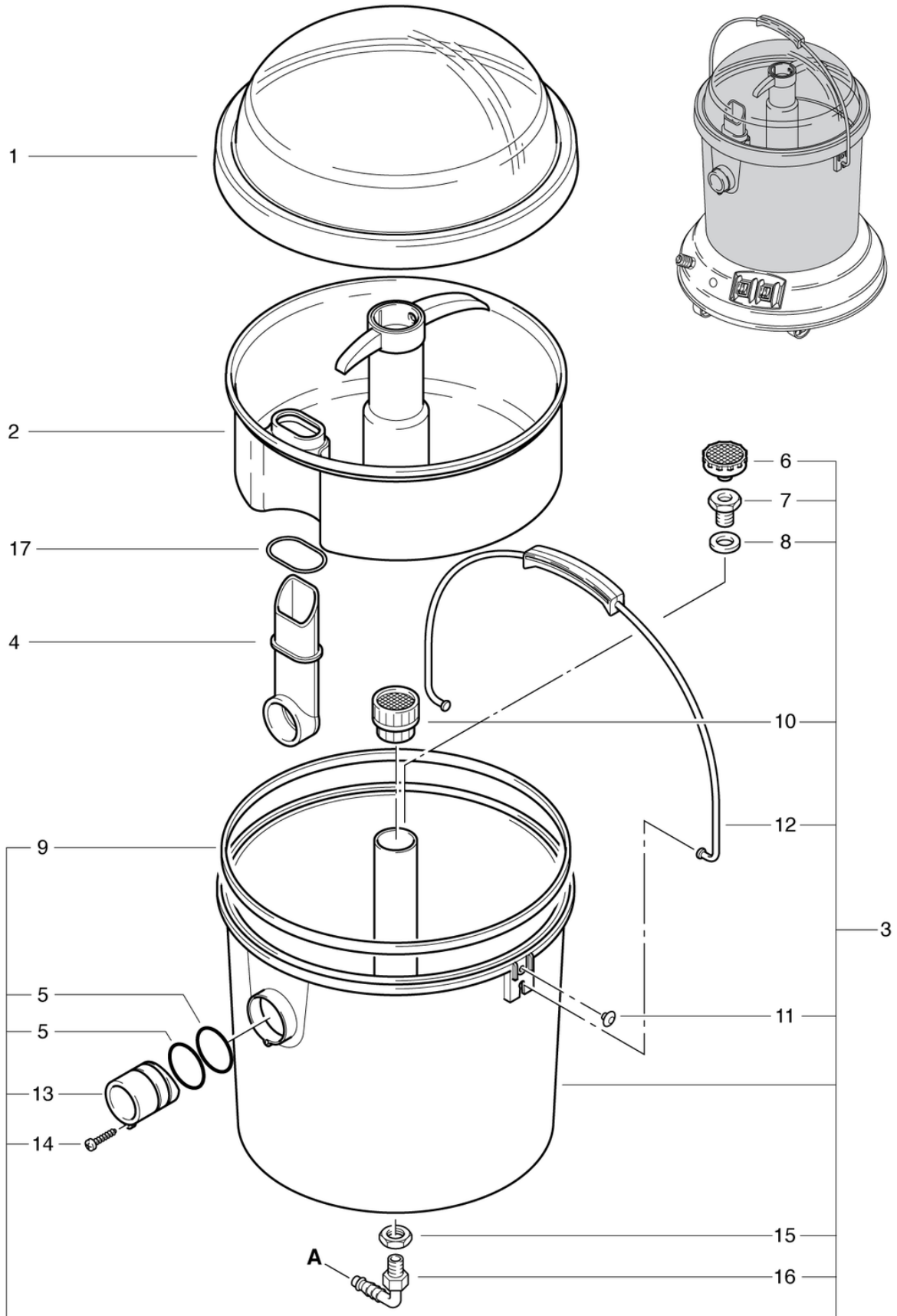
CLEANFIX TW 300 S

Cap

PDF created on: 16.07.2024 11:54



TW 300 S



CLEANFIX TW 300 S

Cap

PDF created on: 16.07.2024 11:54

Pos.	Item no.	Spare part
1	P008	Cover gray transparent
2	030.007	Dirty water bucket cpl.
3	030.001	Complete Tank
4	P025	Inlet Pipe
5	P024	Ring DIN 3771 35/3 NBR
6	P106	Fresh water filter ND
7	P535E	Hollow nipple 3/8 - 1/4 x 16 Ms
8	P097	Sealing shim 30/17/2 PE
9	P052	Oval seal 323.7 x 7.8 x 4.4mm
10	P071	Suction pipe screen
11	P070E	Clamping button Ø 14/6 x 10mm black
12	P009	Handle
13	P026	Connection socket
14	P482G	Screw SPAX 3,5 x 16
15	P535B	Nut 3/8 Ms
16	P541H	Elbow nipple WES 8 / R1 / 4
17	P024A	Ring DIN 3771 35/4 NBR

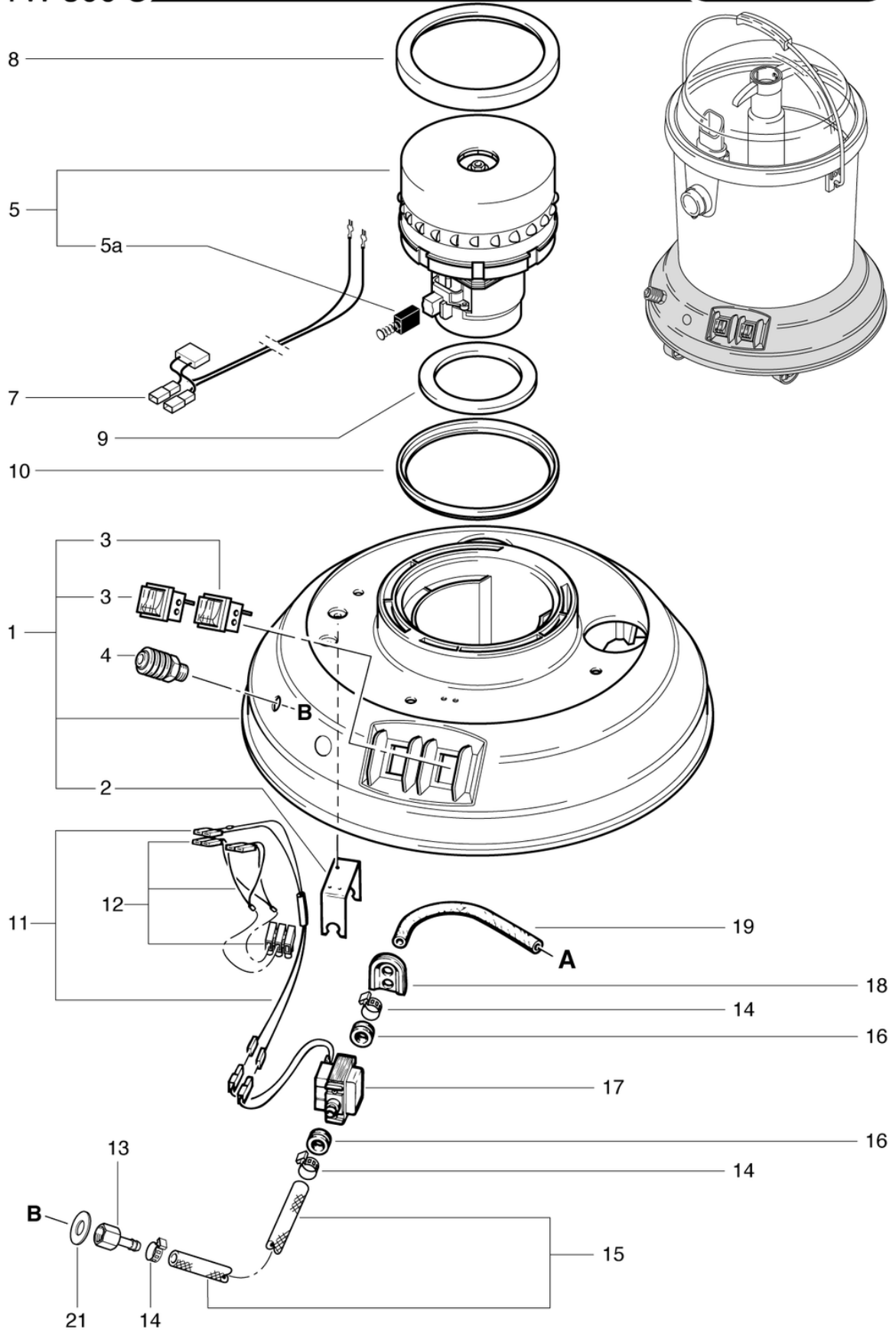
CLEANFIX TW 300 S

Vacuum motor

PDF created on: 16.07.2024 11:54



TW 300 S



CLEANFIX TW 300 S

Vacuum motor

PDF created on: 16.07.2024 11:54

Pos.	Item no.	Spare part
1	030.011	Motor Housing TW300
2	P207B	Pump holder
3	P240	Rocker switch orange 230V
4	P500B	Quick coupling 1/4 AG, large brass
5a	P870KB	Carbon brushes (pair) OEP
5	P870E	Suction motor 230V/50Hz 1000 W bp
7	022.143	Cable harness suction engine incl. interference suppression capacitor
8	P971C	Turbine seal black
9	P013	Sealing ring 103/77 x 10mm
10	P971G	Turbine seal blue
11	030.367	Diode Cable
12	P389	Cable strand with clamp
13	P525K	Hose nipple NW8-1 / 4 Ms
14	P550A	Hose clamp 14.5-706R
15	030.021	Hose ø 6 / 12 x 0.44m
16	P207A	Grommet
17	P809	NDS-X Pump 220-240V/50Hz
18	030.014	Tightness Ring 42 x 45
19	030.020	Hose ø 6 / 12 x 0.36m
21	P496A	Washer DIN 522 M12 13/30/1,6

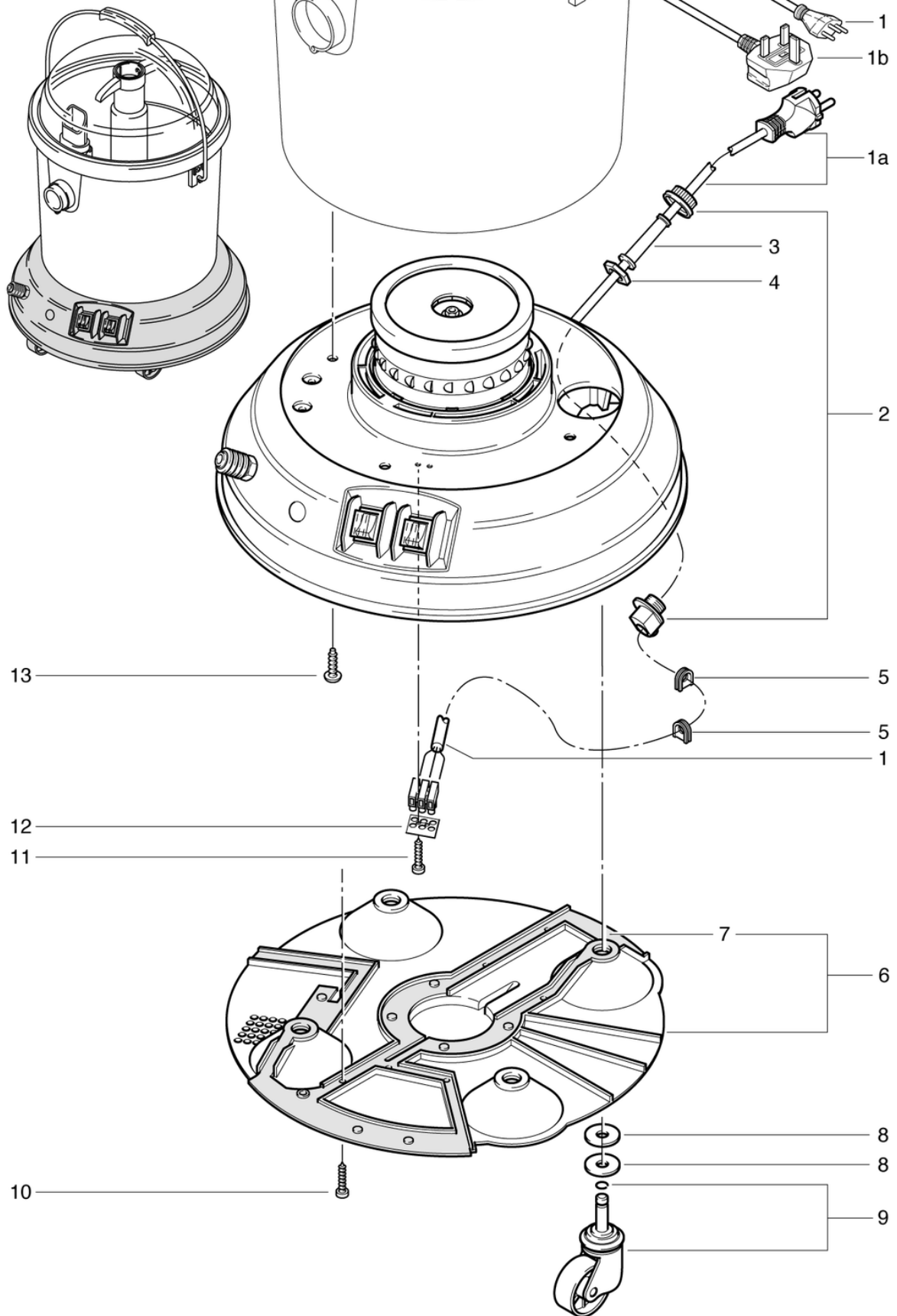
CLEANFIX TW 300 S

Housing

PDF created on: 16.07.2024 11:54



TW 300 S



CLEANFIX TW 300 S

Housing

PDF created on: 16.07.2024 11:54

Pos.	Item no.	Spare part
1a	P288	Mains cable VDE 2 x 0.75mm ² , 7.5m
1b	P277	0mm ²
1	P287	Main cable SEV 2 x 0,75mm ² , 7,5m
2	P279	2-part strain relief clamp
3	P280	Cable grommet
4	P279H	Lock nut PG9 brass nickel-plated
5	P014A	Spout 14 x 16mm
6	P023	Bottom plate with abs. sheet
7	P023A	Noise absorbing sheet
8	P510A	Shim DIN 125 A M10 10,5/20/2 PA6.6
9	P028A	Caster ø50mm
10	P482F	Screw DIN 7981 C 2,9 x 13
11	P482E	Screw DIN 7981 C 2,9 x 16
12	P390	Marking plate
13	P482H	Screw WN 1451 K50 x 14

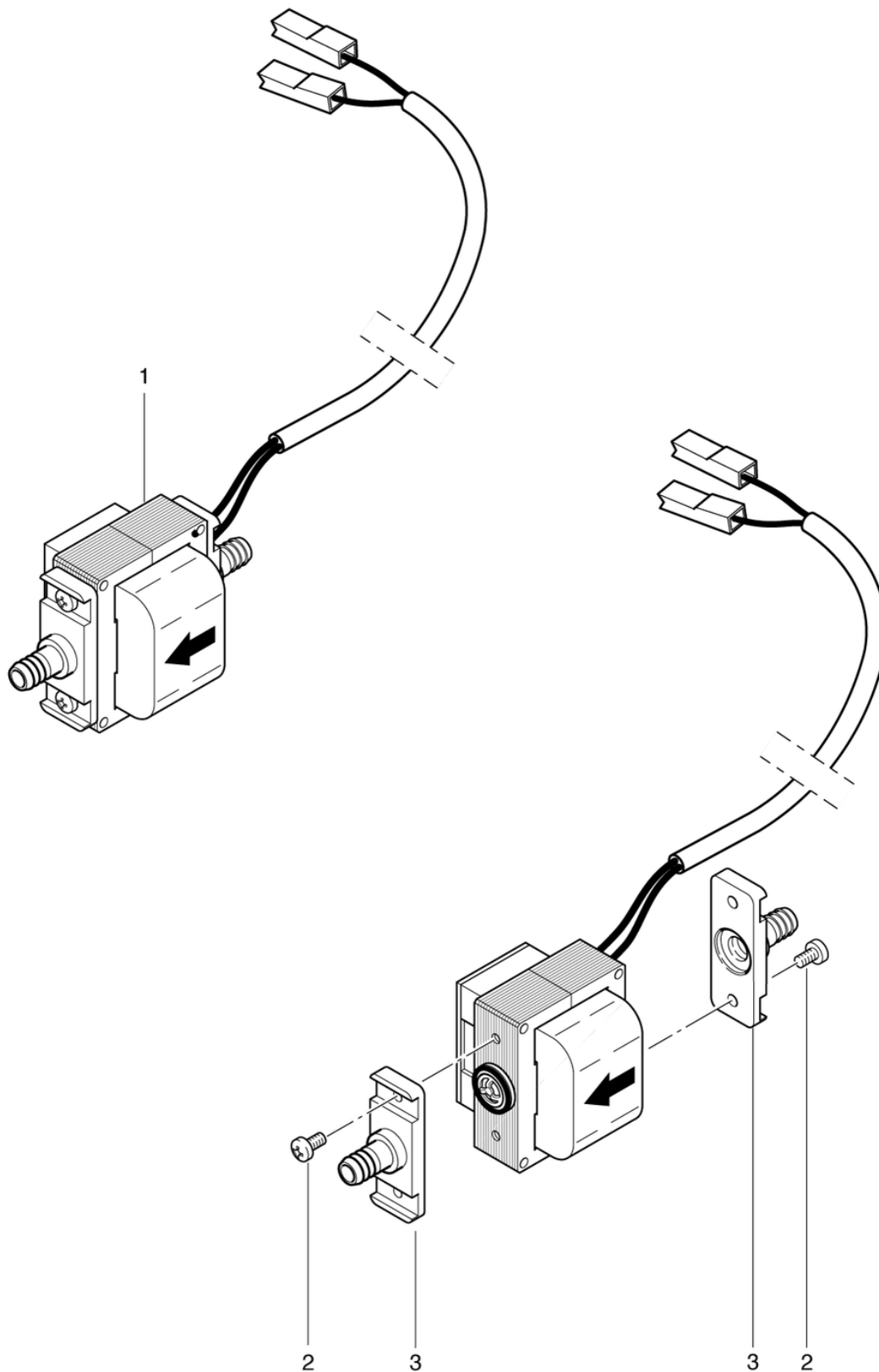
CLEANFIX TW 300 S

Pomp

PDF created on: 16.07.2024 11:54



TW 300 S



CLEANFIX TW 300 S

Pomp

PDF created on: 16.07.2024 11:54

Pos.	Item no.	Spare part
1	P809	NDS-X Pump 220-240V/50Hz
2	P481M	Screw DIN 7985 M4 x 10 A2
3	P809M	Connecting even

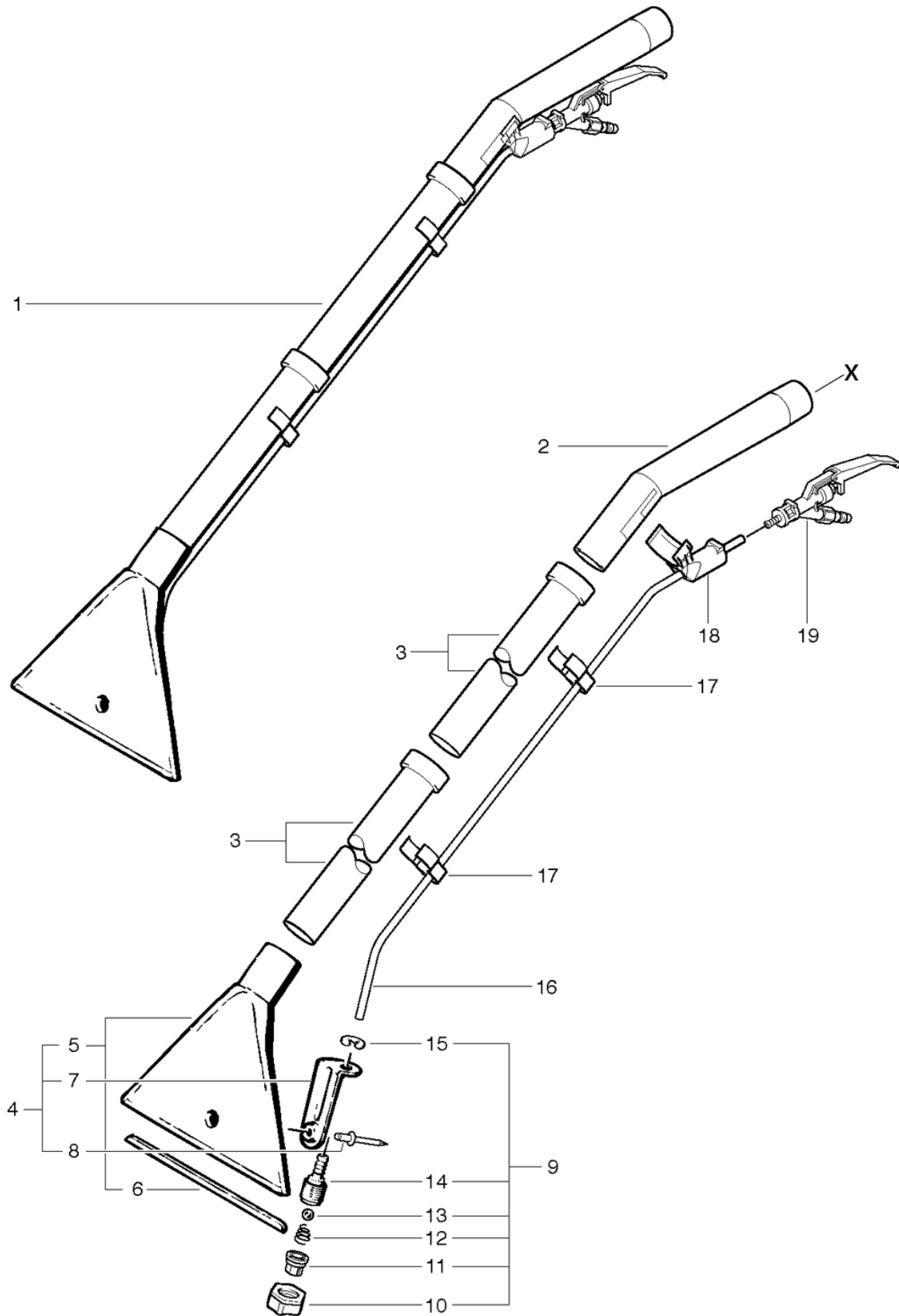
CLEANFIX TW 300 S

Carpet tool

PDF created on: 16.07.2024 11:54



TW 300 S



CLEANFIX TW 300 S

Carpet tool

PDF created on: 16.07.2024 11:54

Pos.	Item no.	Spare part
1	606.000	Carpet adapter 1 jet, 26cm, with plastic hand tube
2	606.010	Tool Handle
3	645.002A	Inox tube
4	606.550	Suction nozzle PP 26cm 1-hole cpl.
5	P600H	Suction nozzle 26cm 1-hole machined + pre-assembled
6	P617	Carpet slide rail L=248mm
7	P602	Nozzle retaining plate
8	P485C	Rivet Pop Standard 4.0 x 8.0 Alu / St
9	606.501	Spray nozzle set cpl.
10	P602D	Union nut 3/8
11	P602C	Spray nozzle white
12	P444E	Compression spring 0.5/10.1;7/12
13	P172W	Ball ø7.14 for spray nozzle PA6.6
14	P602E	Nozzle holder
15	P499N	Shim DIN 6799 9/18,8/1,1 A2
16	P665	Sprinkler hose PUR 6/8 x 1085mm
17	P568	Hose clip var.
18	606.020	Trigger Mounting Bracket
19	P681	Lever valve with nozzle cpl.

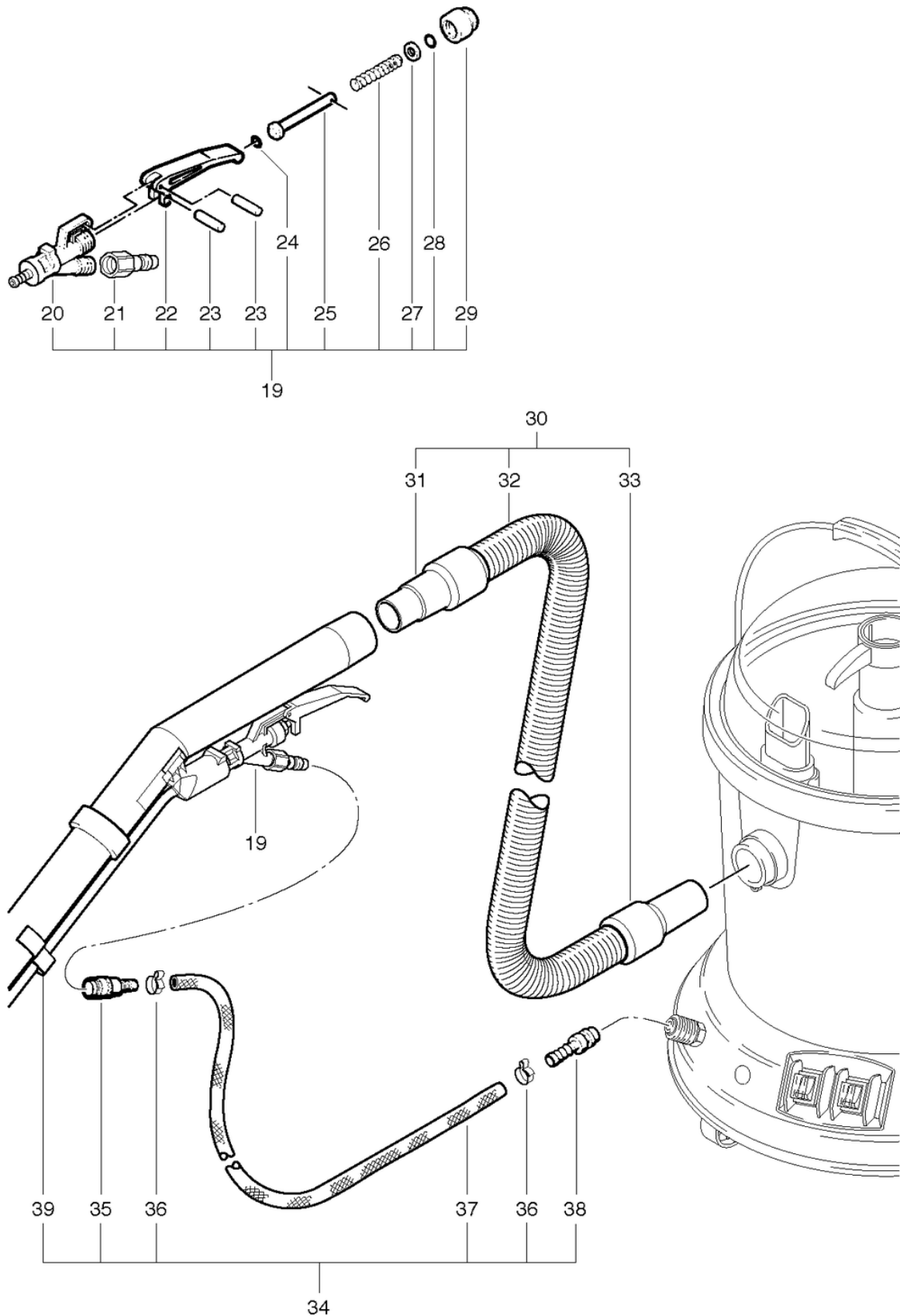
CLEANFIX TW 300 S

Spray and suction hose

PDF created on: 16.07.2024 11:54



TW 300 S



CLEANFIX TW 300 S

Spray and suction hose

PDF created on: 16.07.2024 11:54

Pos.	Item no.	Spare part
19	P681	Lever valve with nozzle cpl.
20	P681A	Valve unit with nozzle
21	P501B	Coupling nipple 1/4 , large brass
22	P681C	Valve lever
23	P681K	Cylindrical pin 1,5/14,5
24	P681F	O-Ring ID5,23/2,62 NBR
25	P681D	Valve pin compl.
26	P681E	Valve spring
27	P497G	Washer DIN 125 A M5 5,3/10/1 A2
28	P681G	O-Ring ID5/2 NBR
29	P681B	Union nut
30	P562	Suction hose 3m
31	P575	Connection sleeve 32
32	P562A	Suction hose, NW32 x 3m
33	P576	Connection sleeve 35
34	P566B	Spray hose 3,2m
35	900.165	Quick Connector TW401
36	P550I	Hose clamp 13.3-706R
37	P566E	Pressure hose Žy 6/12x3200 mm
38	P501D	Plug nipple ø12 x 46mm
39	P568	Hose clip var.

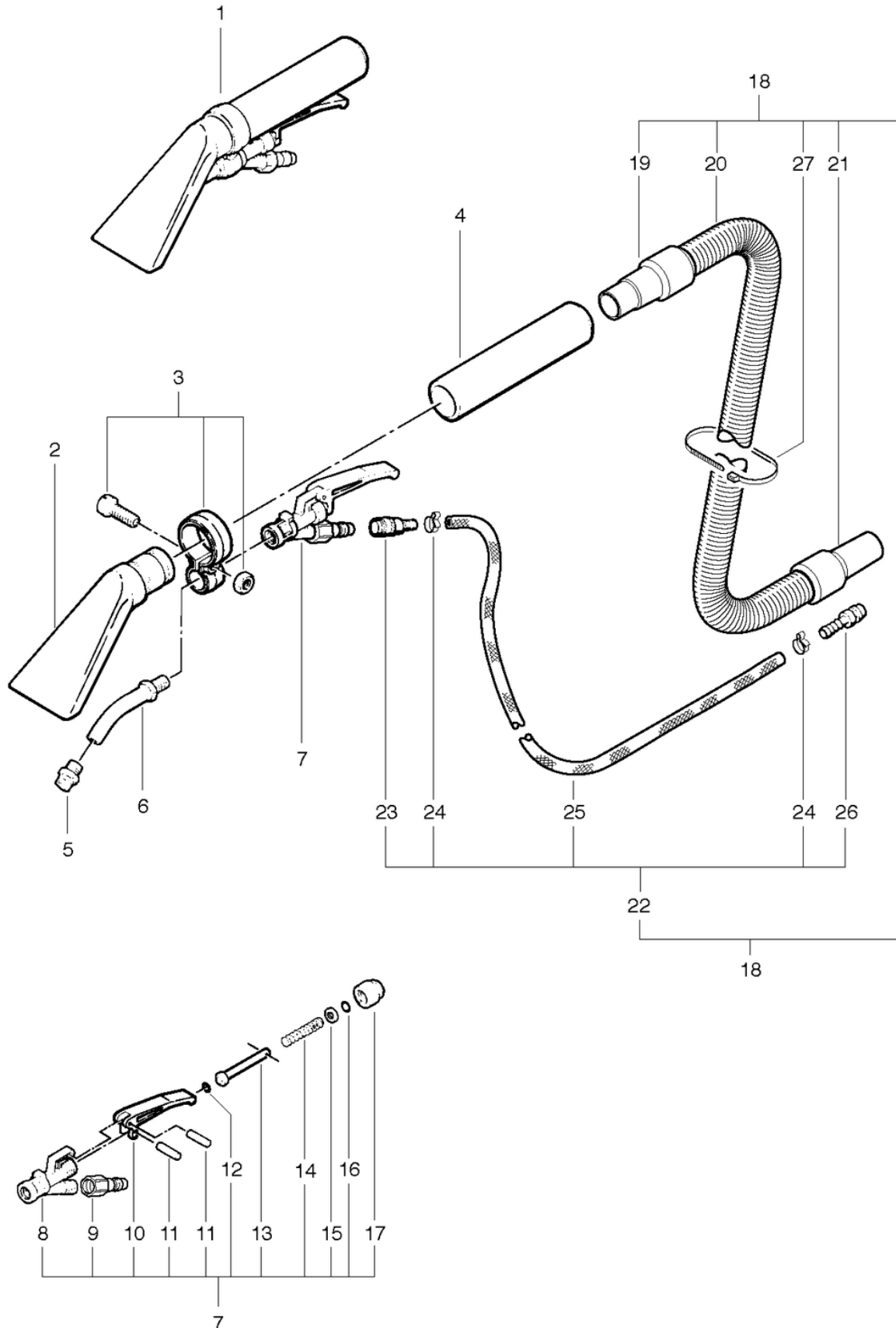
CLEANFIX TW 300 S

Upholstery tool

PDF created on: 16.07.2024 11:54



TW 300 S



CLEANFIX TW 300 S

Upholstery tool

PDF created on: 16.07.2024 11:54

Pos.	Item no.	Spare part
1	617.000	Upholstery tool 8cm, PVC, anthracite, with nozzle inside
2	617.623	Upholstery adapter 8cm anthracite gray, cpl. processed
3	P683	Adapter pipe clamp cpl.
4	617.624	Anthracite gray tube
5	P627	Flat jet nozzle
6	617.625	Nozzle pipe
7	P680	Lever valve cpl. with core hole
8	P680A	Valve unit with 1/8 thread
9	P501B	Coupling nipple 1/4 , large brass
10	P681C	Valve lever
11	P681K	Cylindrical pin 1,5/14,5
12	P681F	O-Ring ID5,23/2,62 NBR
13	P681D	Valve pin compl.
14	P681E	Valve spring
15	P497G	Washer DIN 125 A M5 5,3/10/1 A2
16	P681G	O-Ring ID5/2 NBR
17	P681B	Union nut
18	035.561	Spray and suction hose cpl. 3m
19	P575	Connection sleeve 32
20	P562A	Suction hose, NW32 x 3m
21	P576	Connection sleeve 35
22	041.701	Pressure Hose
23	900.165	Quick Connector TW401
24	P550I	Hose clamp 13.3-706R
25	P566E	Pressure hose Žý 6/12x3200 mm
26	P501D	Plug nipple ø12 x 46mm
27	P609	Cable tie black 4,8 x 178mm

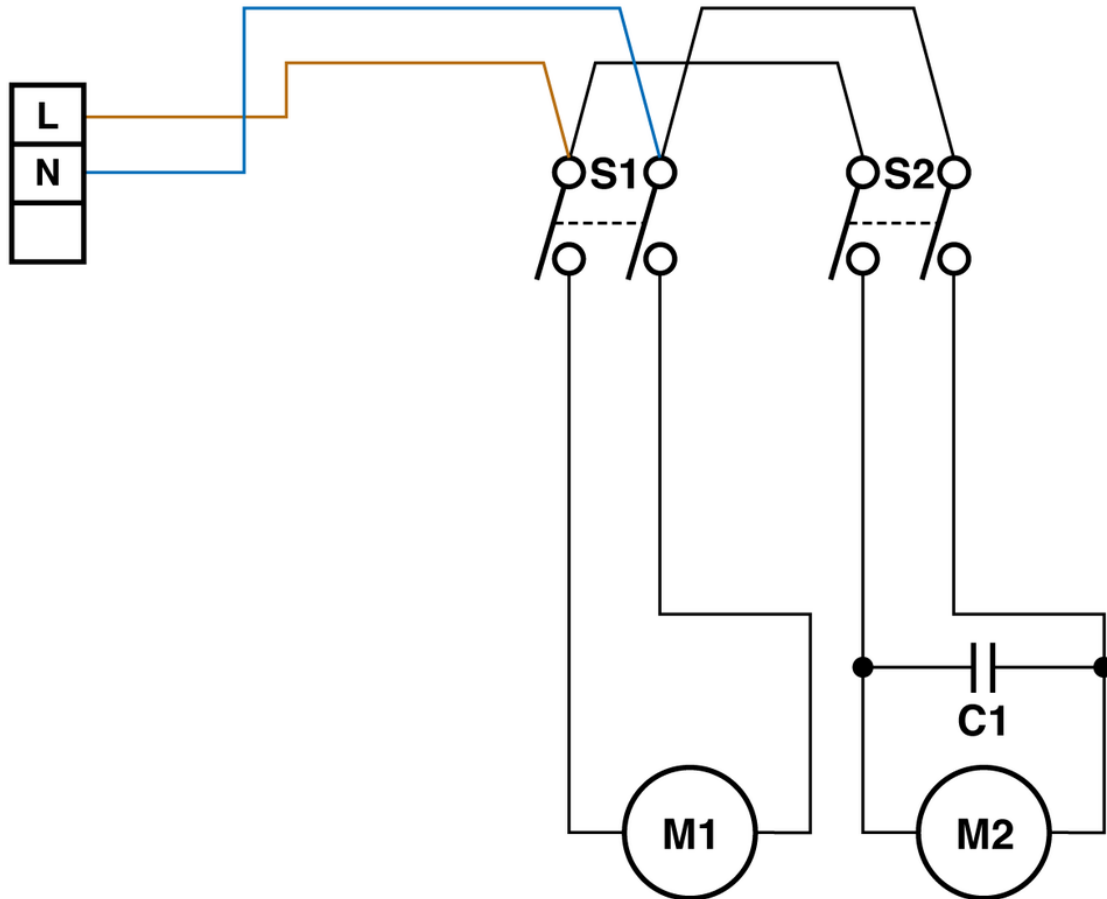
CLEANFIX TW 300 S

Wiring diagram

PDF created on: 16.07.2024 11:54



TW 300 S



- S1 = Schalter 1 / Interrupteur 1 / Tumbler switch 1
- S2 = Schalter 2 / Interrupteur 2 / Tumbler switch 2
- C1 = Entstörkondensator 0,15 μ F / Condensateur 0,15 μ F / Capacitor 0,15 μ F
- M1 = Pumpe / Pompe / Pump
- M2 = Saugmotor LAMB, 750 W / Motuer d'aspiration 750 W, LAMB / Vacuum motor 750 W, LAMB
- M2 = Saugmotor OEP, 1000 W / Motuer d'aspiration 1000 W, OEP / Vacuum motor 1000 W, OEP