

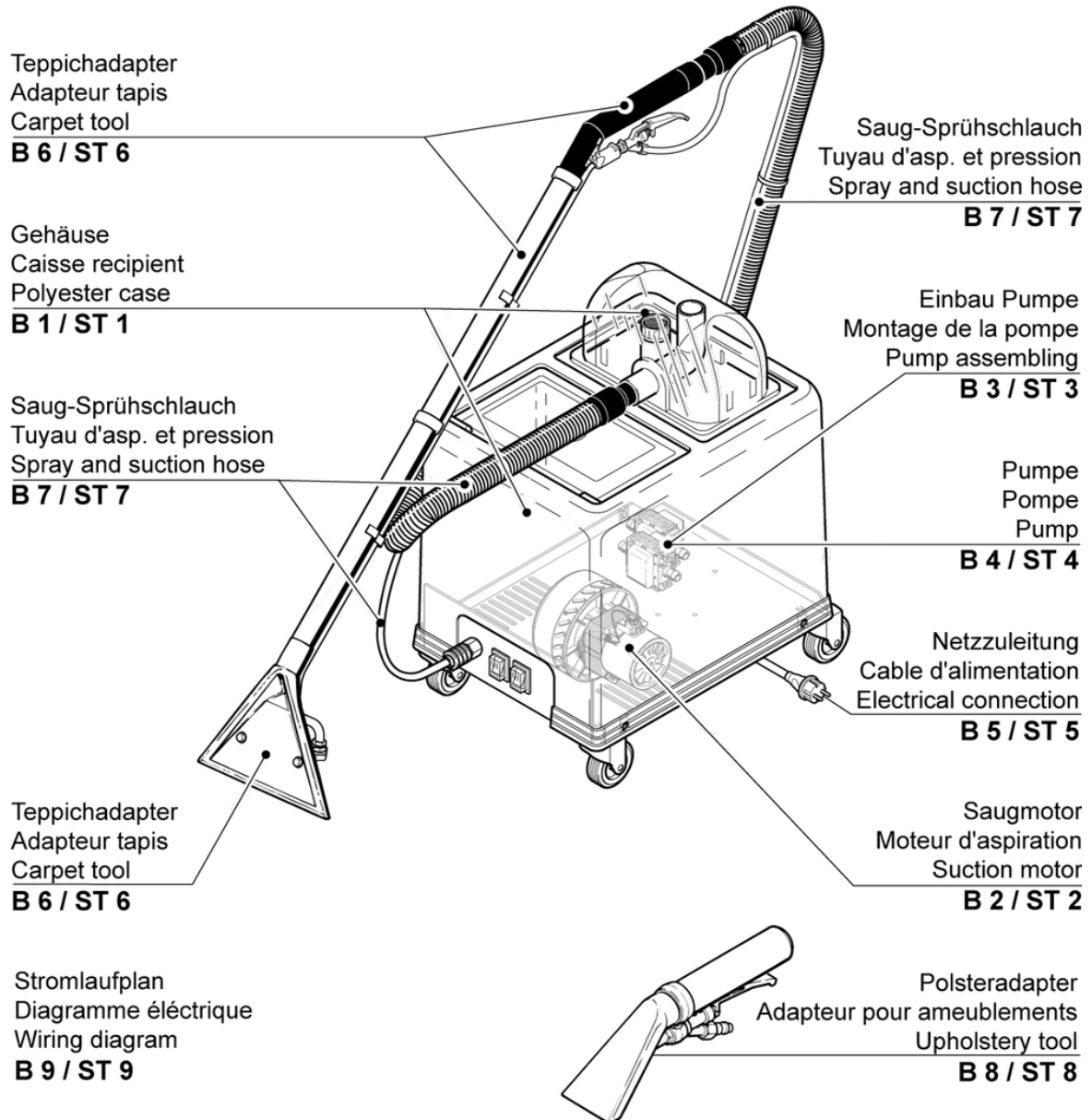
# TW350 S

## Table contents

PDF created on: 01.09.2024 05:22



TW 350 S / TW 500



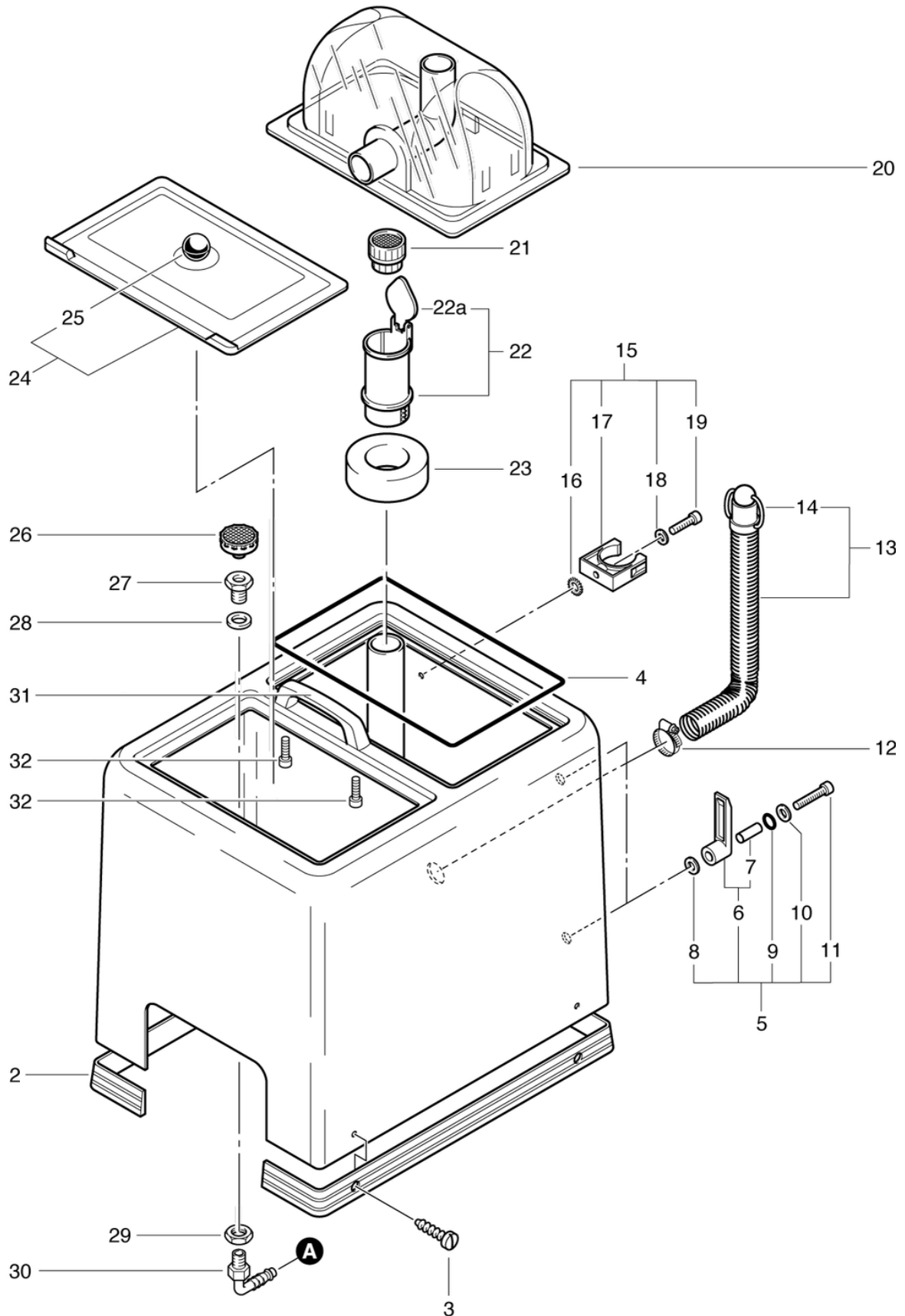
# TW350 S

## Polyester case

PDF created on: 01.09.2024 05:22



TW 350 S / TW 500



# TW350 S

## Polyester case

PDF created on: 01.09.2024 05:22

Pos.	Item no.	Spare part
2	036.114	Bounce protection
3	P483O	Screw DIN 7981 TX25 C 4,8 x 19 A2
4	P051	Seal
5	P087	Catch for cable black cpl.
6	P087A	Catch for cable black
7	P087B	Distance sleeve Ø8/6,2 x 18,8mm
8	P497H	Washer DIN 9021 M6 6,4/18/1,6 A2
9	P088	O-Ring 8,73/1,78 NBR
10	P496K	Shim DIN 125 A M6 6,4/12/1,6
11	P488S	Screw DIN 912 M6 x 30 A2
12	P554B	Hose clamp 20 x 32
13	050.108	Discharge Hose
14	P108C	Closure ball
15	P109	Hose support cpl. including Items 8-10
16	P498D	Washer DIN 6798 M5 5,1/9/0,5 A2
17	P109A	Hose holder anthracite
18	P496H	Shim DIN 125 A M5 5,3/10/1
19	P488G	Screw DIN 912 M5 x 16 A2
20	P080	Cover 1-hole smoke transparent cpl.
20	P081	Cover 1-hole green cpl.
21	P071	Suction pipe screen
22a	P076D	Cover of the float
22	P074	Float with flap
23	P074A	Floater rondel
24	P082	Fresh water tank cover cpl. brown
24	P083	Fresh water tank cover cpl. green
25	P082B	Ball handle Ø30 M12 IG
26	P106	Fresh water filter ND
27	P535A	Hollow nipple 3/8 - 1/4 x 20 Ms
28	P097	Sealing shim 30/17/2 PE
29	P535B	Nut 3/8 Ms
30	P541H	Elbow nipple WES 8 / R1 / 4
31	P173H	Handle black
32	P487W	Screw DIN 7991 M6 x 16 A2

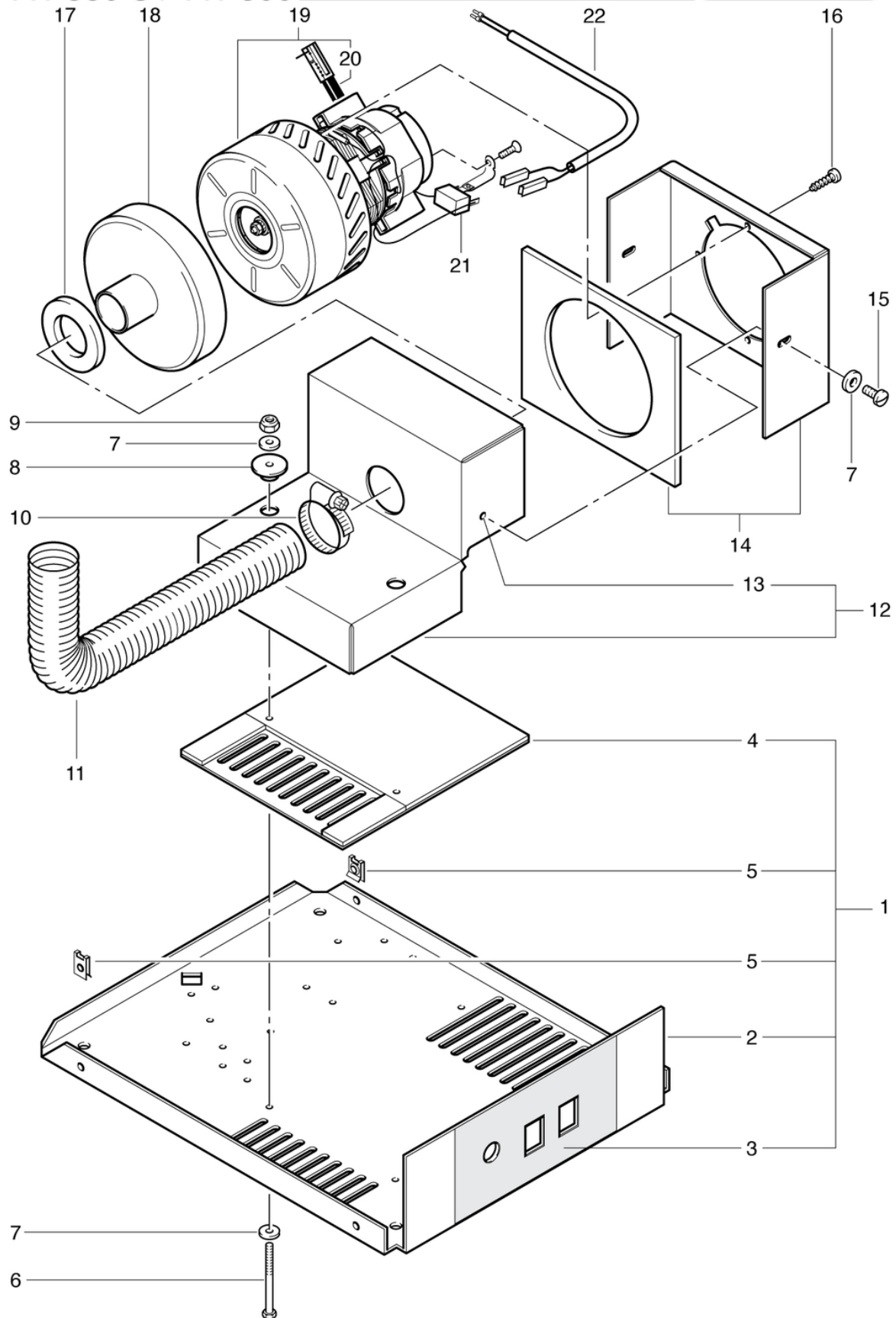
# TW350 S

## Suction motor

PDF created on: 01.09.2024 05:22



TW 350 S / TW 500



# TW350 S

## Suction motor

PDF created on: 01.09.2024 05:22

<b>Pos.</b>	<b>Item no.</b>	<b>Spare part</b>
1	P180	Chassis cpl. including: Items 2-5
2	P181	Bottom plate 436/342 x 2mm
3	P181D	Sticker with symbols
4	P182A	Isolation plate cpl.
5	P494B	Speed nut 4.8 / 0.8 - 1.6 A3A
6	P470P	Screw DIN 931 M5 x 70 with shaft
7	P497V	Shim DIN 7349 M5 5,3/15/2
8	P208D	isolation shim 6,2/14,3/29,5mm
9	P492G	Nut DIN 985 M5 St galvanized
10	P206D	Hose clamp 32-50mm/12
11	036.412	Hose LW40 x 0.3m
12	P208G	Blower box
13	P495K	Anchor type ARB INOX A1 M5 / 0.5-1.6
14	P208H	Cover with soundproofing
15	P475Q	Screw DIN 85 A M4 x 30
16	P482L	Screw DBN 1014 4,8 x 13
17	P206B	Sealing ring 60/38x 5mm
18	P206A	Suction connection cap 40/144mm
19	P870	Suction motor 230V/50Hz 1000W
20	P870KB	Carbon brushes (pair) OEP
21	P387C	15uF
22	P423	braid garnitur

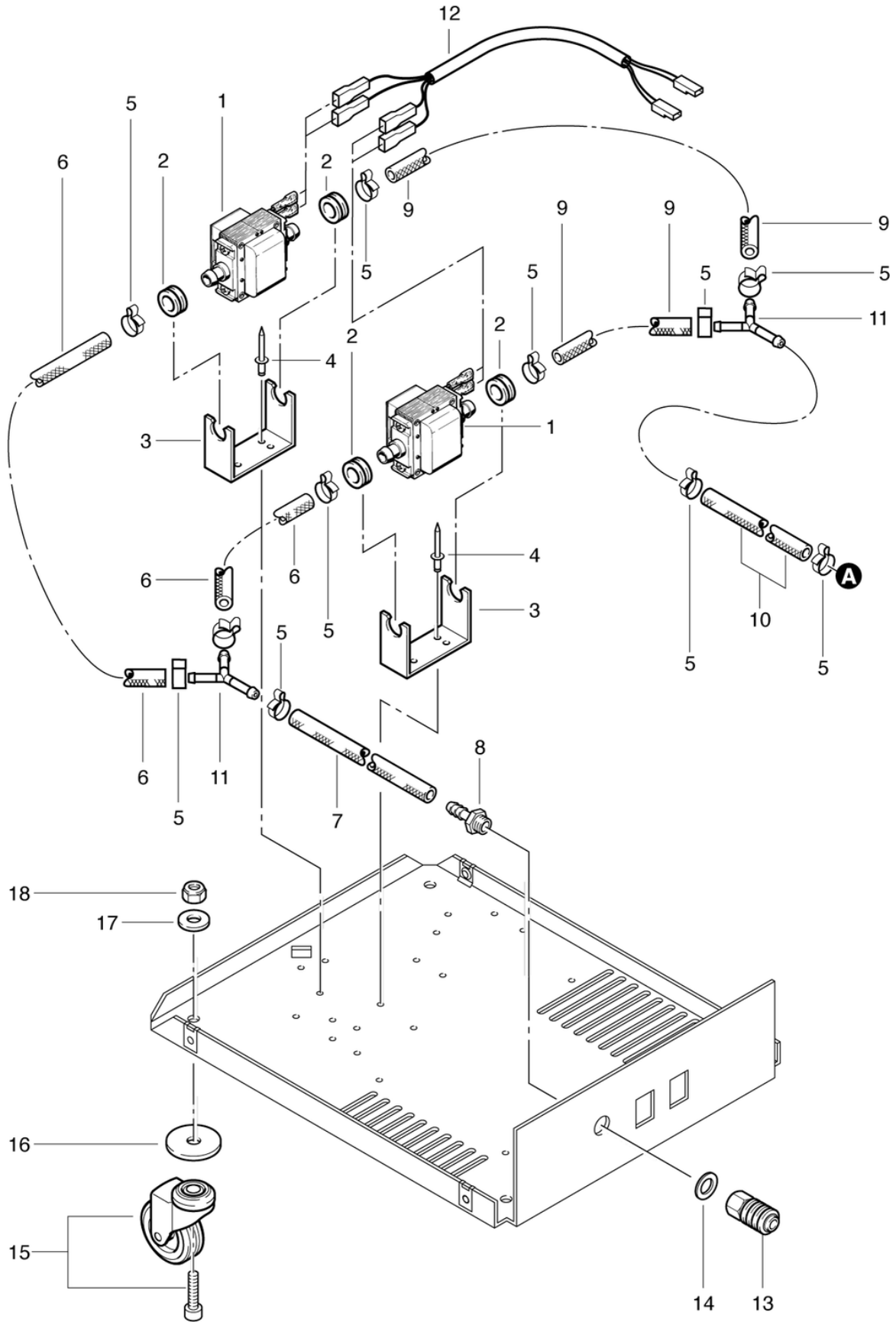
# TW350 S

## Pump assembling

PDF created on: 01.09.2024 05:22



TW 350 S / TW 500



# TW350 S

## Pump assembling

PDF created on: 01.09.2024 05:22

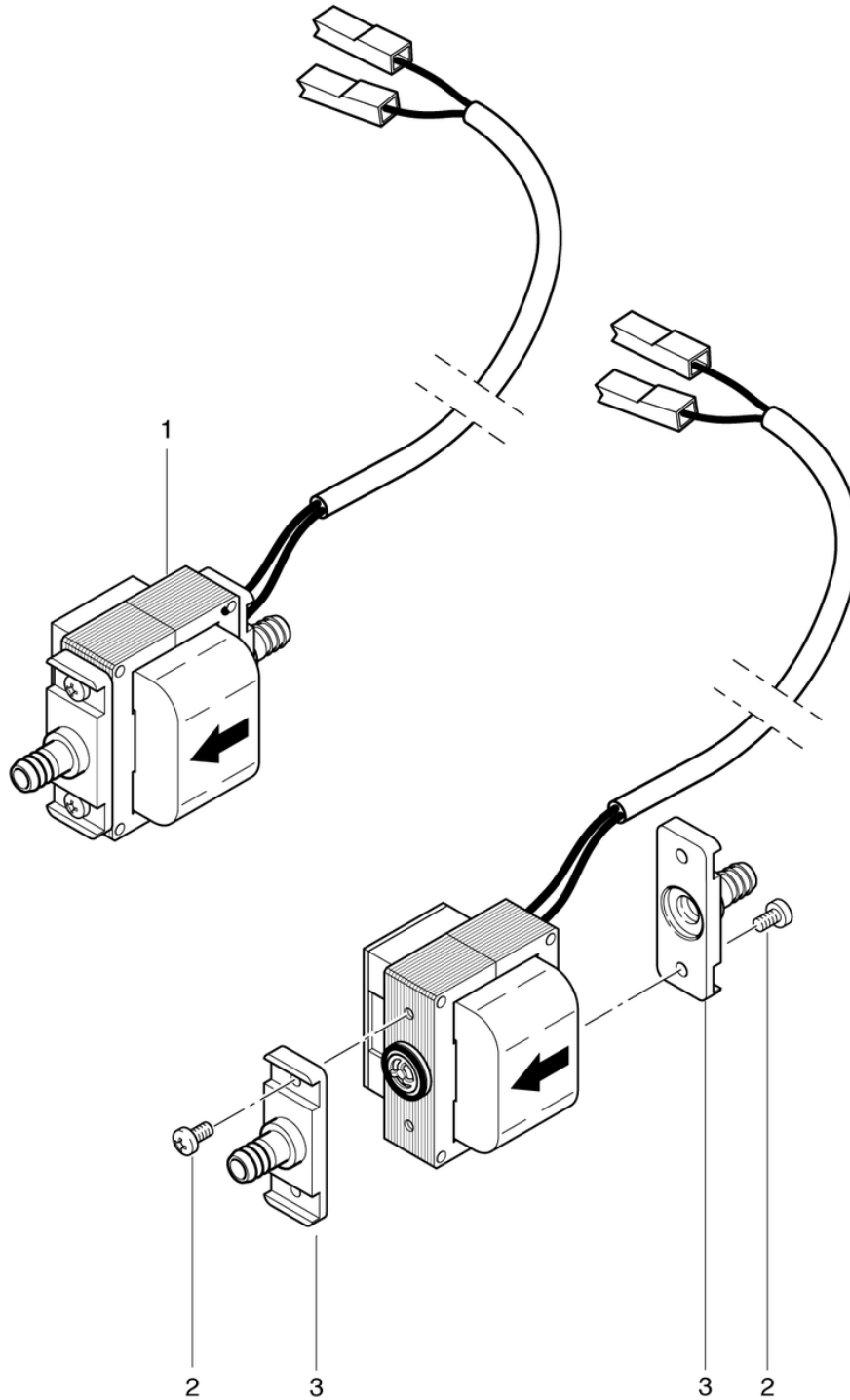
Pos.	Item no.	Spare part
1	P809	NDS-X Pump 220-240V/50Hz
2	P207A	Grommet
3	P207B	Pump holder
4	P485F	Blind rivet 5 x 80 Alu/St
5	P550A	Hose clamp 14.5-706R
6	P207H	Hose 12/6x320
7	P207I	Hose 12/6x400
8	P524F	Hose nipple NW8 - 1/4 AG Ms
9	P207G	21m
10	P207F	Hose 12/6x500
11	P542E	Y-piece 8mm
12	P368A	braid garnitur
13	P500A	Plug-in coupling 1/4 IT, large brass
14	P260	Shim 14/24/2 PE black
15	P204I	Caster cpl.
16	P204A	Shim 54/10,5/3
17	P496S	Washer DIN 9021 M10 10,5/30/2,5 A2
18	P492Q	Nut DIN 985 M10

# TW350 S

## Pump

PDF created on: 01.09.2024 05:22

TW 350 S / TW 500





# TW350 S

## Pump

PDF created on: 01.09.2024 05:22

<b>Pos.</b>	<b>Item no.</b>	<b>Spare part</b>
1	P809	NDS-X Pump 220-240V/50Hz
2	P481M	Screw DIN 7985 M4 x 10 A2
3	P809M	Connecting even

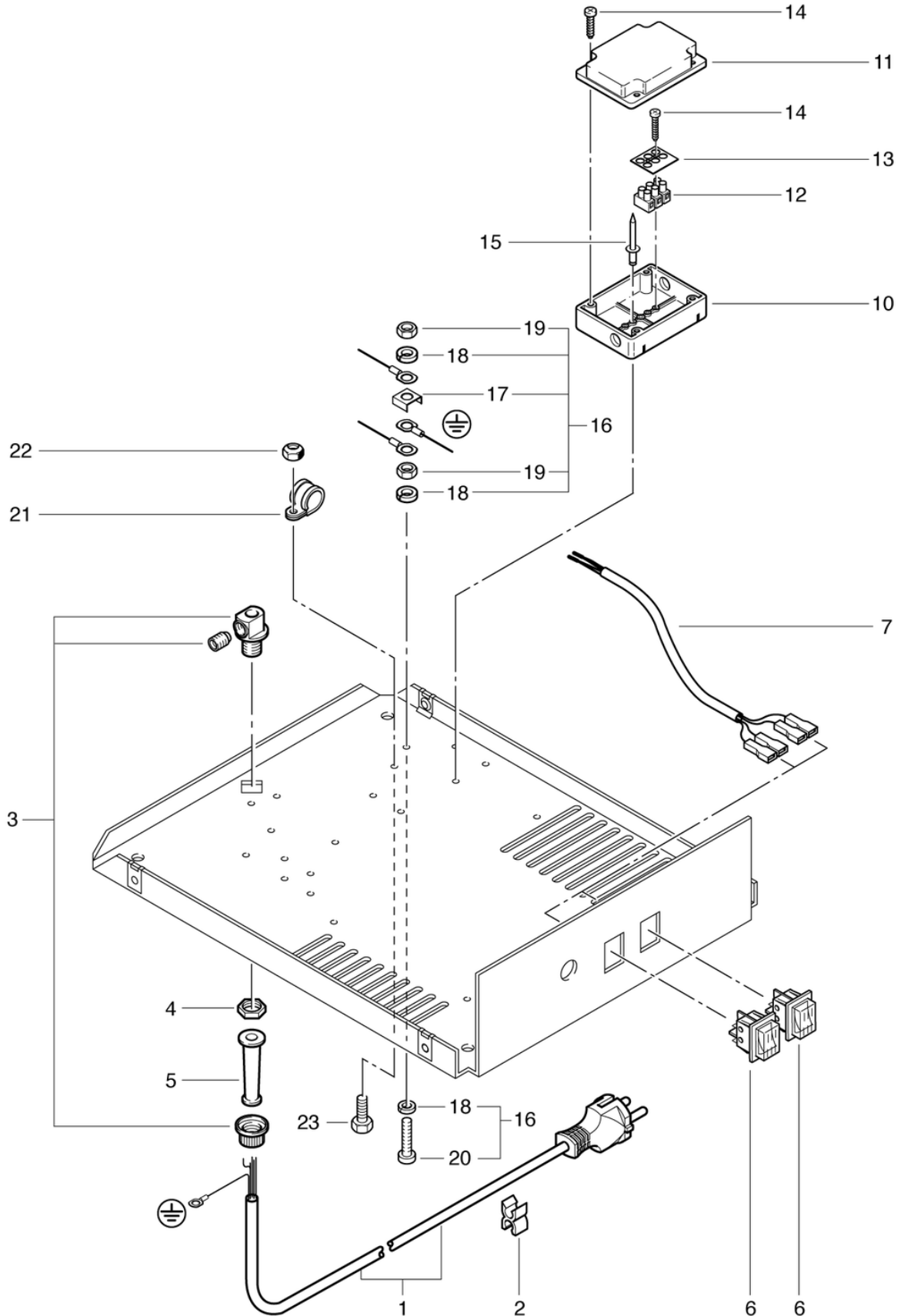
# TW350 S

## Electrical connection

PDF created on: 01.09.2024 05:22



TW 350 S / TW 500



# TW350 S

## Electrical connection

PDF created on: 01.09.2024 05:22

Pos.	Item no.	Spare part
1	P275	Main cable SEV 3 x 1,0mm <sup>2</sup> , 7,50m, schwarz
1	P276	Electrical connection EURO
1	P288B	Mains cable GB 2 x 1.0mm <sup>2</sup> , 10m
2	P278	Cable - clips gray
3	P279	2-part strain relief clamp
4	P279H	Lock nut PG9 brass nickel-plated
5	P280	Cable grommet
6	P240	Rocker switch orange 230V
7	043.614	Braid garnitur
10	P379	Terminal box lower part
11	P379A	Terminal box cover
12	P383A	Screw terminal with DS 3-pol. 2.5mm <sup>2</sup>
13	P394	Marking plate 500 BZ 3 L,N,PE
14	P516S	Screw WN 1452 K30 x 14
15	P485J	Rivet Ø 3x10
17	P388B	Clamp bow
18	P498A	Ring DIN 127 B M4 4,1/7,6/0,9 CuSn
19	P491Q	Nut DIN 934 M4 brass
20	P478L	Screw DIN 84 M4 x 20 Ms
21	P281	Fixing clamp PVC CV-7
22	P492G	Nut DIN 985 M5 St galvanized
23	P470H	Screw DIN 933 M5 x 12

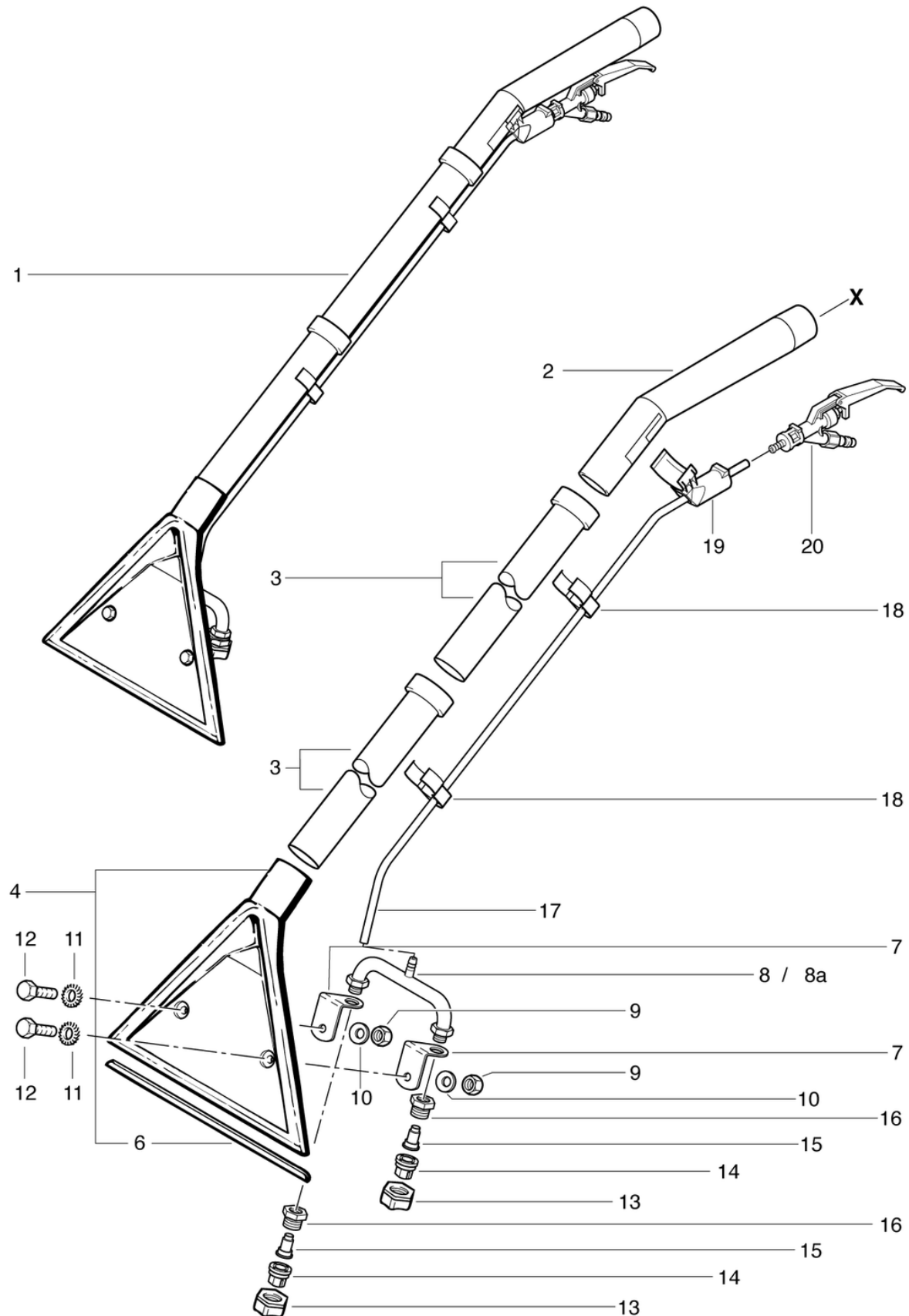
# TW350 S

## Carpet tool

PDF created on: 01.09.2024 05:22



TW 350 S / TW 500



# TW350 S

## Carpet tool

PDF created on: 01.09.2024 05:22

Pos.	Item no.	Spare part
1	602.000	Carpet adapter 2 jets, 26cm with plastic hand tube
2	606.010	Tool Handle
3	645.002A	Inox tube
4	602.550	Suction nozzle with two nozzles
6	P617	Carpet slide rail L=248mm
7	602.611F	mounting bracket for jet ass.
8a	900.167	Locking sleeve Ø10mm
8	602.110	2-nozzle pipe bracket
9	P491E	Nut DIN 934 M6 A2
10	P499H	Shim SN 212745 M6 6,4/14/1,15 A2
11	P499D	Shim DIN 6798 M6 6,4/11/0,7 A2
12	P472D	Hexagon screw M6 x 20
13	P523D	Sleeved nut
14	P602G	Red spray nozzle
15	P607E	Back pressure application
16	P535P	Threaded nipple 3/8 Ms
17	P665	Sprinkler hose PUR 6/8 x 1085mm
18	P670	Holding clasp
19	606.020	Trigger Mounting Bracket
20	P681	Lever valve with nozzle cpl.

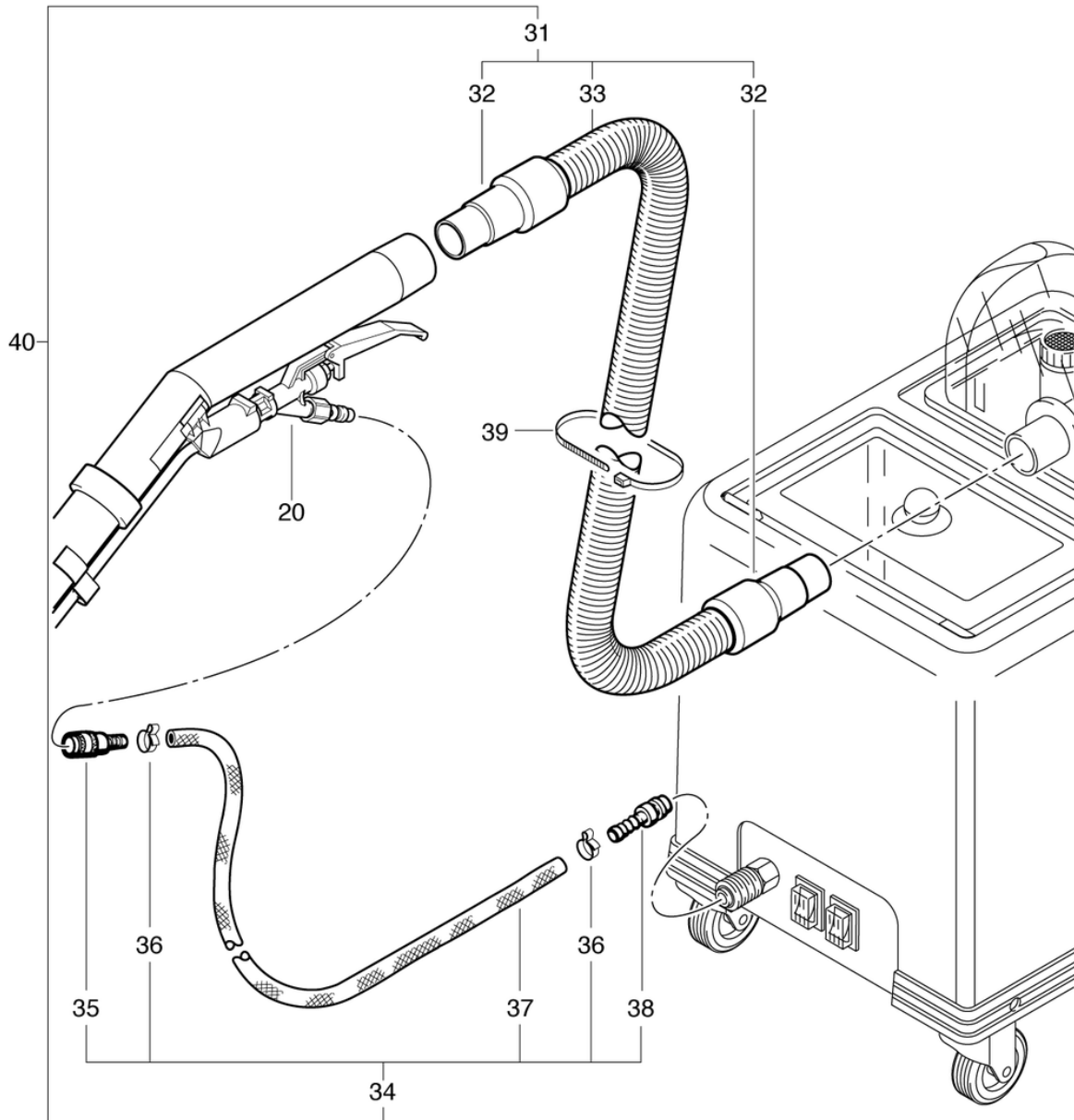
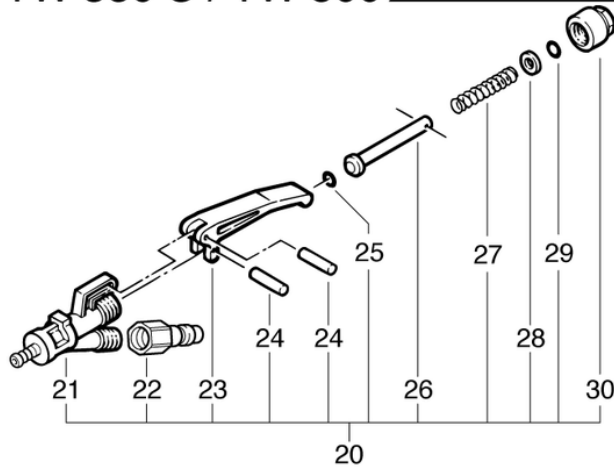
# TW350 S

## Spray and suction hose

PDF created on: 01.09.2024 05:22



TW 350 S / TW 500



# TW350 S

## Spray and suction hose

PDF created on: 01.09.2024 05:22

Pos.	Item no.	Spare part
20	P681	Lever valve with nozzle cpl.
21	P681A	Valve unit with nozzle
22	P501B	Coupling nipple 1/4 , large brass
23	P681C	Valve lever
24	P681K	Cylindrical pin 1,5/14,5
25	P681F	O-Ring ID5,23/2,62 NBR
26	P681D	Valve pin compl.
27	P681E	Valve spring
28	P497G	Washer DIN 125 A M5 5,3/10/1 A2
29	P681G	O-Ring ID5/2 NBR
30	P681B	Union nut
31	035.561Y	Suction hose 3m cpl.
32	P575	Connection sleeve 32
33	P562A	Suction hose, NW32 x 3m
34	041.701	Pressure Hose
35	900.165	Quick Connector TW401
36	P550I	Hose clamp 13.3-706R
37	P566E	Pressure hose Žy 6/12x3200 mm
38	P501D	Plug nipple ø12 x 46mm
39	P609	Cable tie black 4,8 x 178mm
40	035.561	Spray and suction hose cpl. 3m

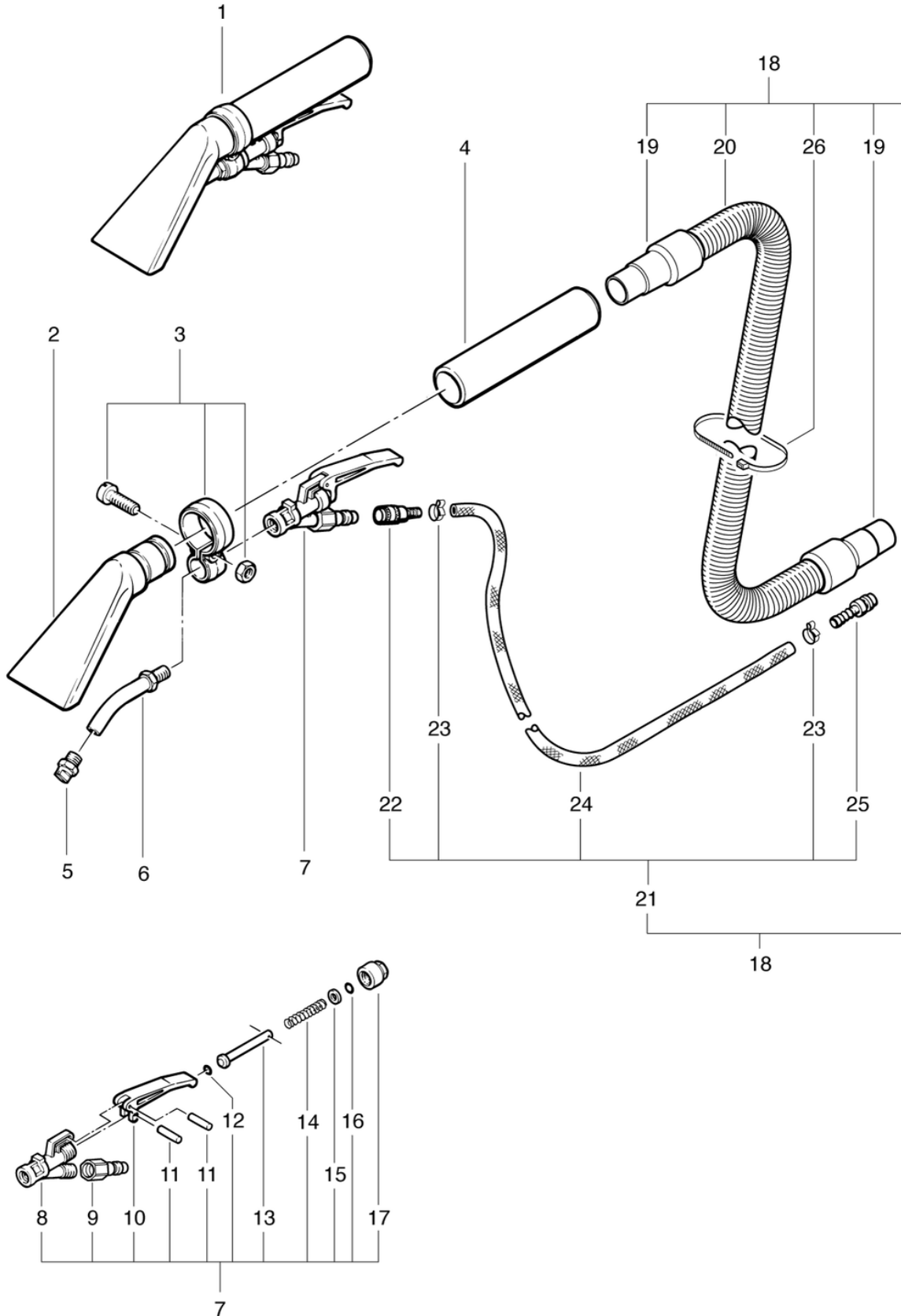
# TW350 S

## Upholstery tool

PDF created on: 01.09.2024 05:22



TW 350 S / TW 500





# TW350 S

## Upholstery tool

PDF created on: 01.09.2024 05:22

Pos.	Item no.	Spare part
1	617.000	Upholstery tool 8cm, PVC, anthracite, with nozzle inside
2	617.623	Upholstery adapter 8cm anthracite gray, cpl. processed
3	P683	Adapter pipe clamp cpl.
4	617.624	Anthracite gray tube
5	P602M	Spray nozzle gray
6	617.625	Nozzle pipe
7	P680	Lever valve cpl. with core hole
8	P680A	Valve unit with 1/8 thread
9	P501B	Coupling nipple 1/4 , large brass
10	P681C	Valve lever
11	P681K	Cylindrical pin 1,5/14,5
12	P681F	O-Ring ID5,23/2,62 NBR
13	P681D	Valve pin compl.
14	P681E	Valve spring
15	P497G	Washer DIN 125 A M5 5,3/10/1 A2
16	P681G	O-Ring ID5/2 NBR
17	P681B	Union nut
18	035.561	Spray and suction hose cpl. 3m
19	P575	Connection sleeve 32
20	P562A	Suction hose, NW32 x 3m
21	041.701	Pressure Hose
22	900.165	Quick Connector TW401
23	P550I	Hose clamp 13.3-706R
24	P566E	Pressure hose Žý 6/12x3200 mm
25	P501D	Plug nipple ø12 x 46mm
26	P609	Cable tie black 4,8 x 178mm

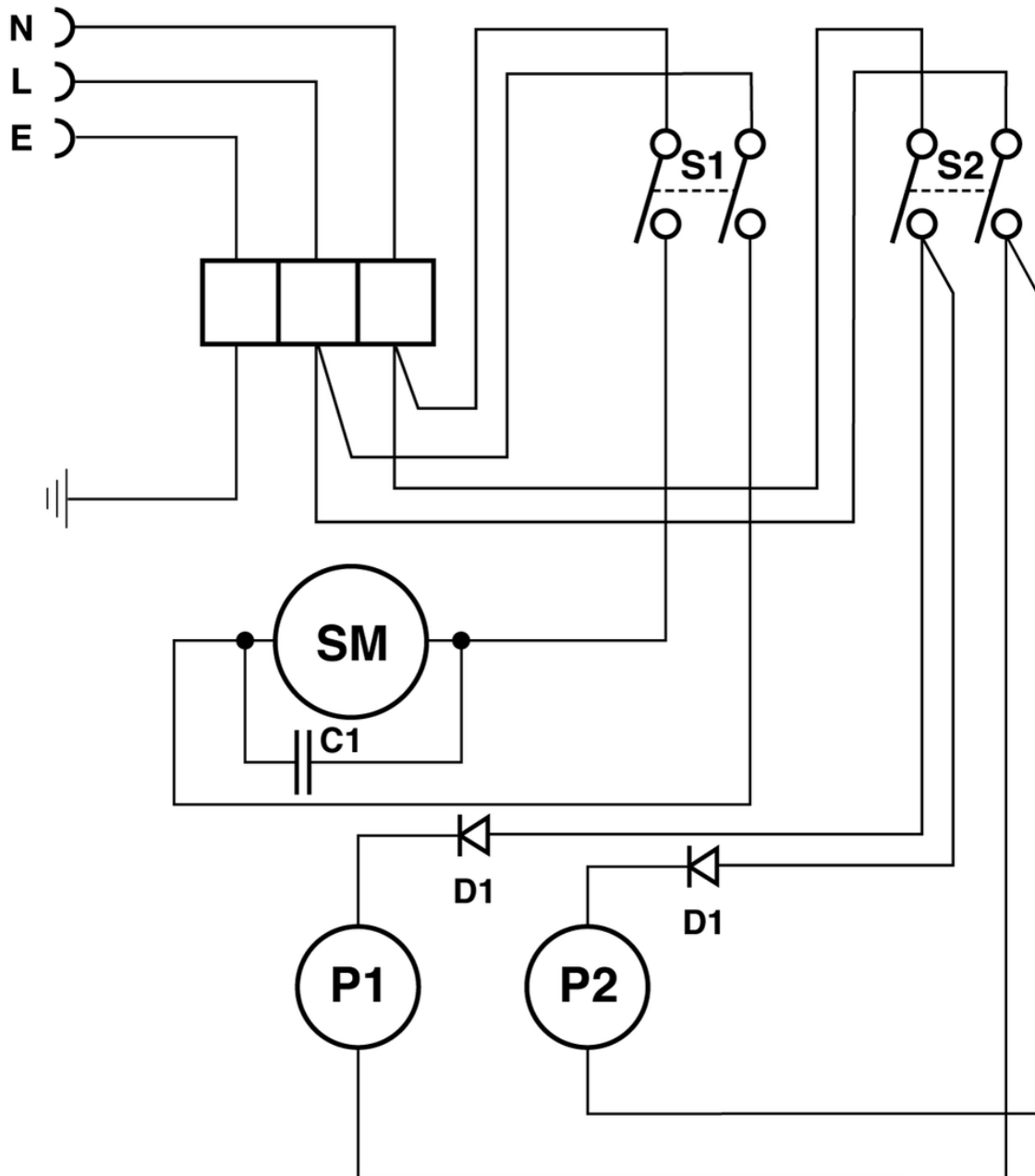
# TW350 S

## Wiring diagram

PDF created on: 01.09.2024 05:22



TW 350 S / TW 500



- S1 = Schalter-Saugmotor / Interrupteur pour moteur d'aspiration / Main switch for vacuum motor
- S2 = Schalter-Pumpen / Interrupteur pour pompe / Main switch for Pump
- C1 = Entstörkondensator / Condensateur / Capacitor
- D1 = Diode
- P1 = Pumpe 1 / Pompe 1 / Pump 1
- P2 = Pumpe 2 / Pompe 2 / Pump 2
- SM = Saugmotor / Moteur d'aspiration / Suction motor